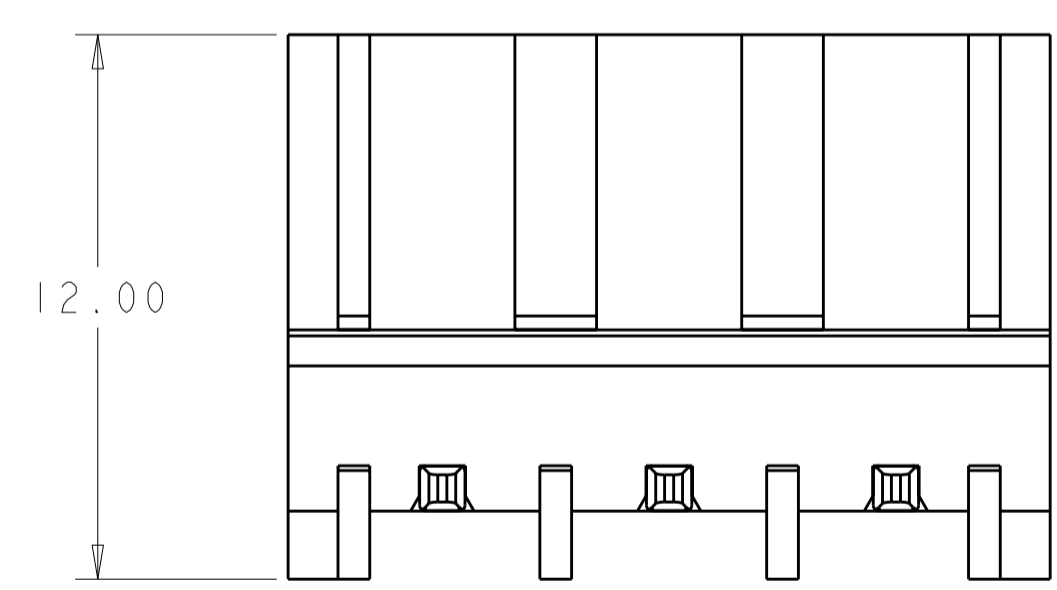
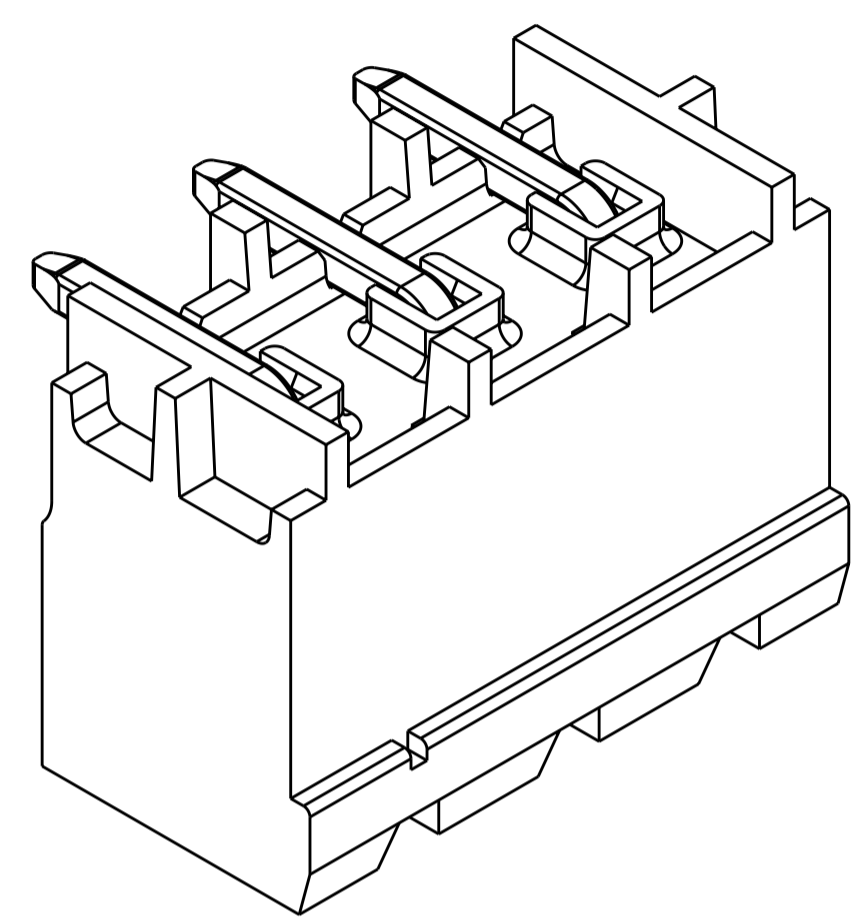
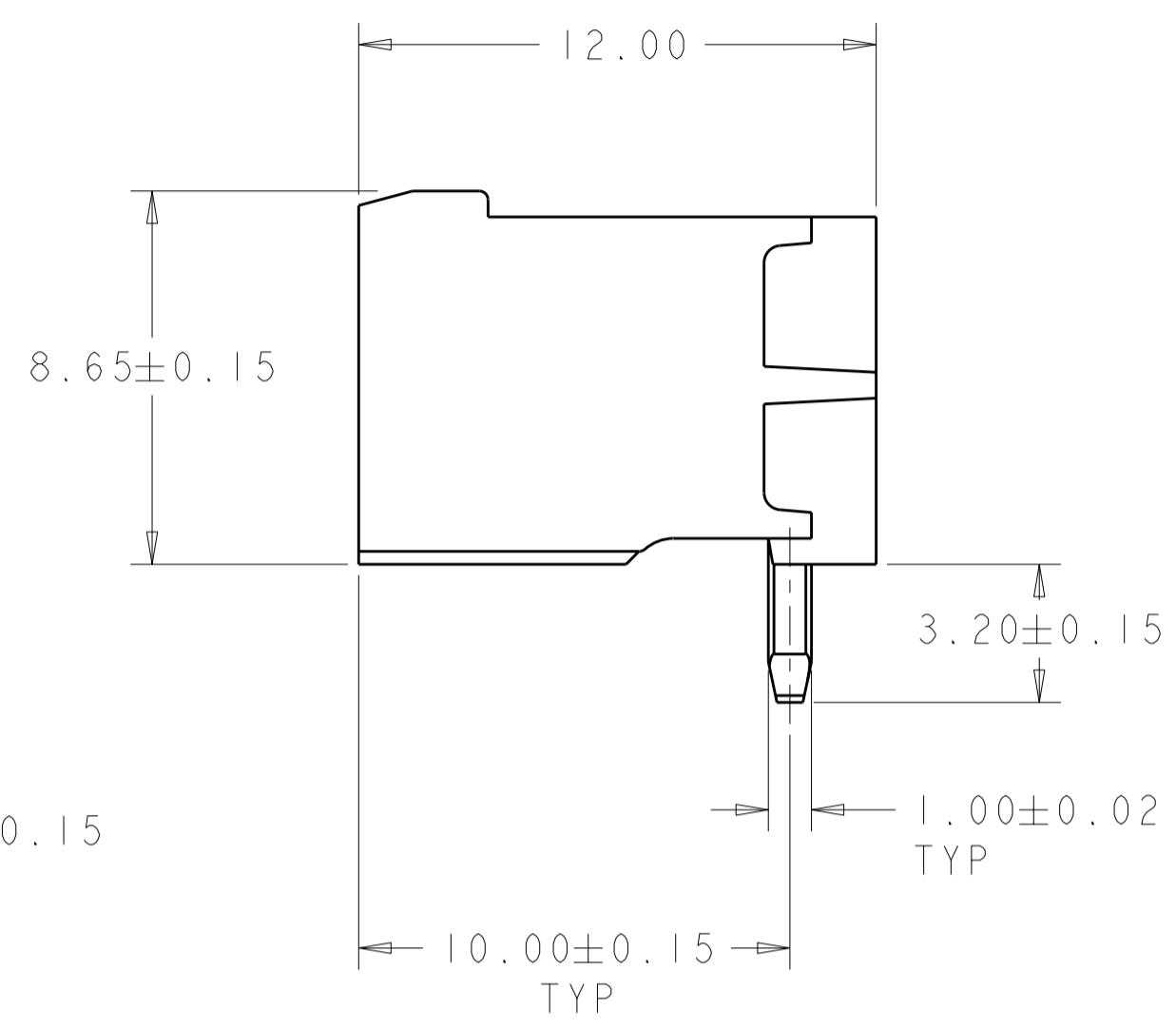
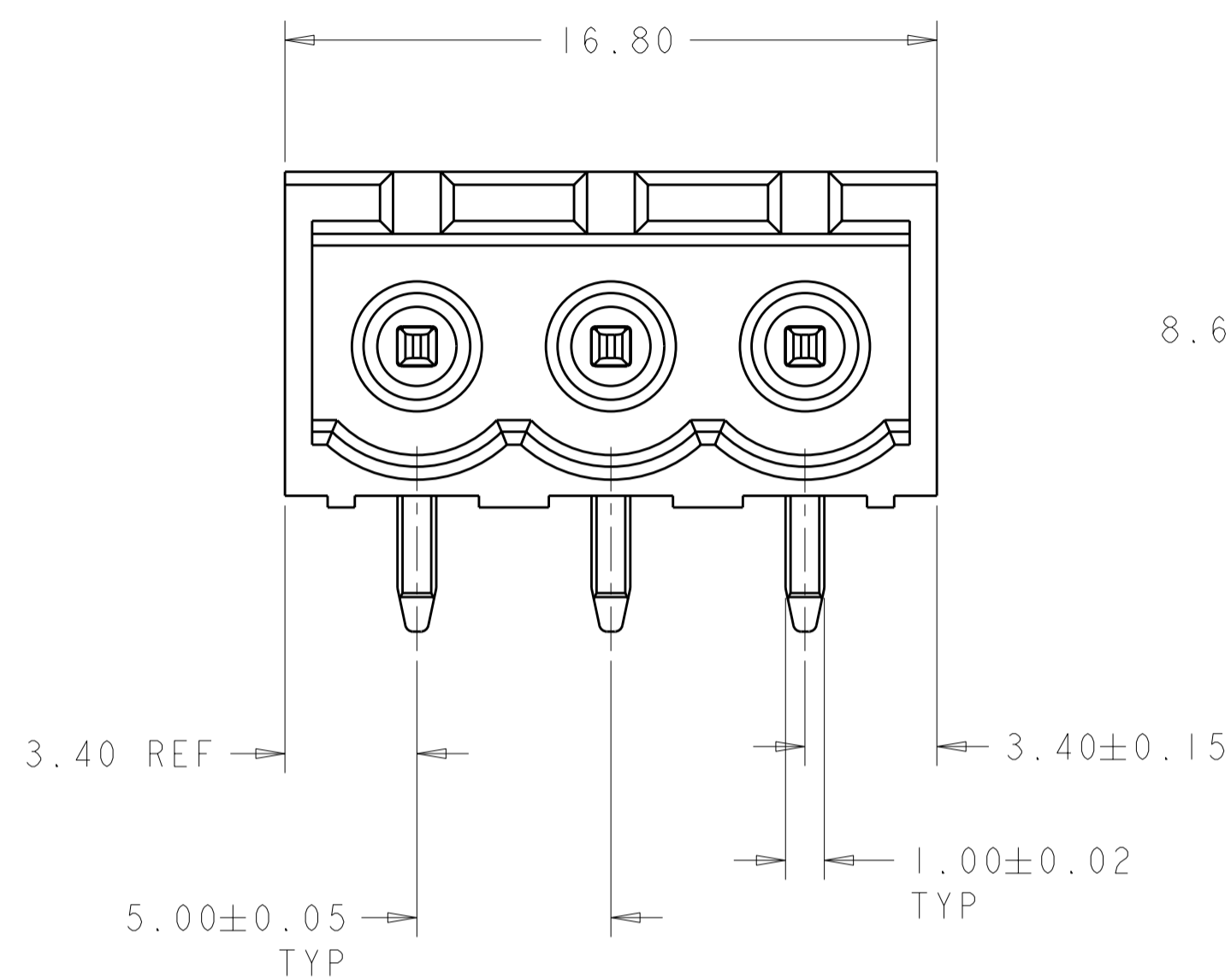


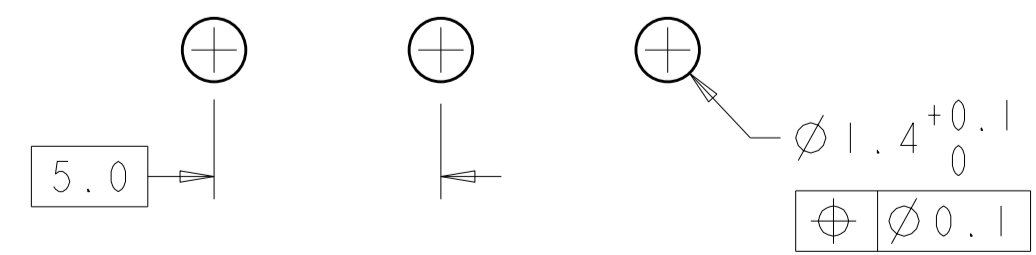
THIS DRAWING IS UNPUBLISHED. RELEASED FOR PUBLICATION 20
 © COPYRIGHT 20 Tyco Electronics AMP GmbH ALL RIGHTS RESERVED.

| LOC | | DIST | | REVISIONS | | | |
|-----|-----|---------------------------|-----------|-----------|------|--|--|
| P | LTR | DESCRIPTION | DATE | DWN | APVD | | |
| | A2 | REVISED PER ECO-12-007711 | 26APR2012 | KH | MS | | |



- 1. MATERIALS AND FINISH:
 HOUSING: HIGH TEMPERATURE POLYAMIDE, UL 94V-0 RATED,
 COLOR: BLACK.
 TERMINAL: COPPER ALLOY, SEE TABLE.
- 2. SUITABLE FOR 1,6-2, 4mm PC BOARD THICKNESS.
- 3. RECOGNIZED UNDER THE COMPONENT PROGRAM OF
 UNDERWRITERS LABORATORIES INC. FILE N° E60677.
- 4. IMQ CERTIFICATE WITH SURVEILLANCE IN CONFORMITY
 WITH IEC 998-1/998-2-1.
- 5. UL RATING 300V, 15A.
- 6. TAPE AND REEL PACKAGED.
- 7. PRELIMINARY PART NUMBER.

| PLATING | DIM L | NO OF POSN | PART NUMBER |
|---------|-------|------------|-------------|
| TIN | 16.8 | 3 | 2-1776148-3 |
| | 26.8 | 5 | 1-1776148-3 |
| | 61.8 | 12 | 1-1776148-2 |
| | 56.8 | 11 | 1-1776148-1 |
| | 51.8 | 10 | 1-1776148-0 |
| | 46.8 | 9 | 1776148-9 |
| | 41.8 | 8 | 1776148-8 |
| | 36.8 | 7 | 1776148-7 |
| | 31.8 | 6 | 1776148-6 |
| | 26.8 | 5 | 1776148-5 |
| 21.8 | 4 | 1776148-4 | |
| 16.8 | 3 | 1776148-3 | |
| 11.8 | 2 | 1776148-2 | |



RECOMMENDED PC BOARD LAYOUT

THIS DRAWING IS A CONTROLLED DOCUMENT.

| | | | | |
|-------------------|---|--|--|---------------------|
| DIMENSIONS: mm | TOLERANCES UNLESS OTHERWISE SPECIFIED: 0 PLC ±- 1 PLC ±0.1 2 PLC ±0.25 3 PLC ±- 4 PLC ±- ANGLES ±- FINISH ±- | DWN S. WELDON 07JUN2005 CHK C. RICHARD 07JUN2005 APVD C. RICHARD 07JUN2005 | TE Connectivity | |
| MATERIAL | | PRODUCT SPEC APPLICATION SPEC | NAME: TERMINAL BLOCK HEADER ASSEMBLY, 90 DEGREE, CLOSED ENDS, 5.00mm PITCH | |
| | | WEIGHT | SIZE: A2 | CAGE CODE: 00779 |
| | | | DRAWING NO: 1776148 | RESTRICTED TO: - |
| CUSTOMER DRAWING | | | SCALE: 6:1 | SHEET 1 OF 1 REV A2 |

单击下面可查看定价，库存，交付和生命周期等信息

[>>TE Connectivity\(泰科\)](#)