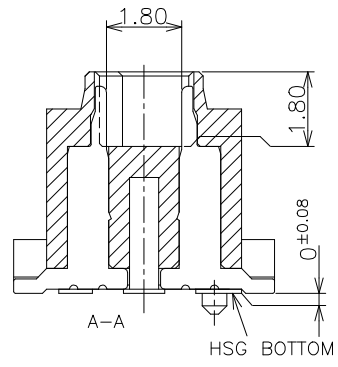
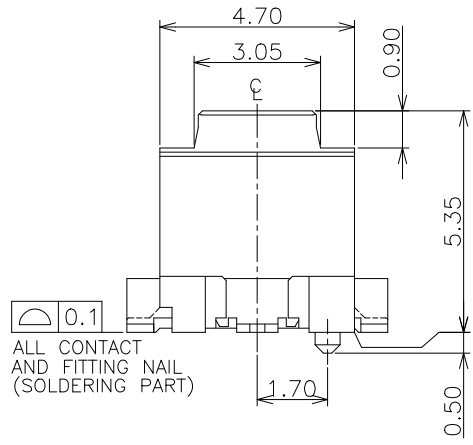
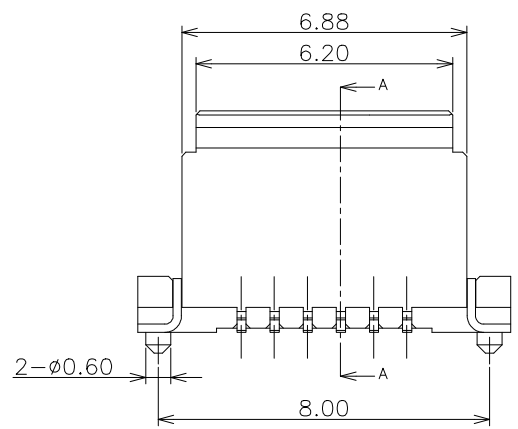
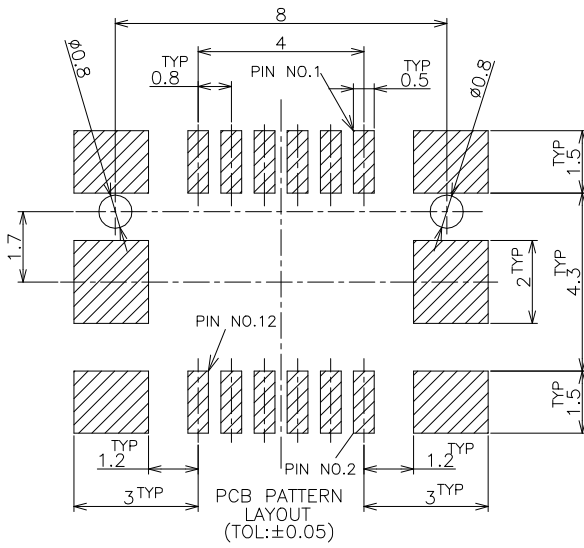
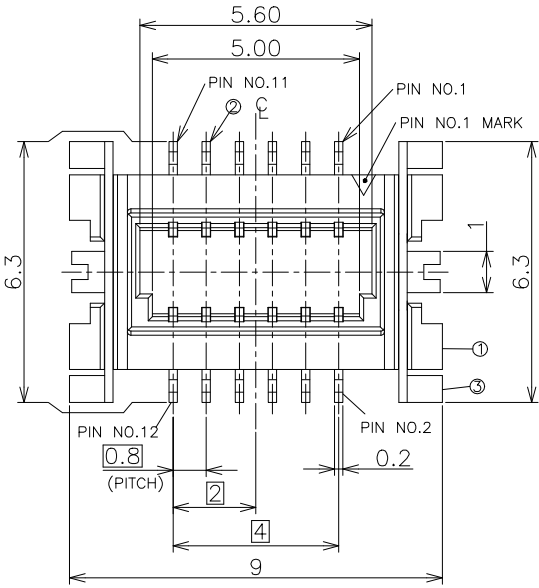


THIS DRAWING IS UNPUBLISHED. RELEASED FOR PUBLICATION MAR ,2008.
 © COPYRIGHT 2008 TE Connectivity Ltd. ALL RIGHTS RESERVED.

REVISIONS				
変更				
P	LTR	DESCRIPTION	DATE	APVD
E1		REVISED(ECR-19-013959)	06SEP2019	A.L H.L

- NOTE
- MATERIAL:
 - ① HOUSING : SEE BELOW CHART, UL94V-0 NATURAL
 - ② CONTACT : PHOSPHOR BRONZE
 - ③ FITTING NAIL : BRASS
 - FINISH:
 - CONTACT : TIN (MATTE) PLATED ALL OVER.
NICKEL UNDERPLATED ALL OVER.
 - FITTING NAIL : TIN (MATTE) PLATED ALL OVER.
NICKEL UNDERPLATED ALL OVER.



LCP	WITH	12P	2-2040478-2
THE MC	PLASTIC	29	2-2040478
MATERIAL	CONTROL	12P	2-2040478-2
CAP	POS		PART NO.

OBsolete

AS SHOWN: 1-2040478-2
 AND STATUS OF WITHOUT CAP 2-2040478-2, 3-2040478-2

THIS DRAWING IS A CONTROLLED DOCUMENT.		DWN H.FUKUZAKI 21MAR2008	TE Connectivity Ltd.	
DIMENSIONS: 單位: 耗 mm		CHK T.YAMADA 21MAR2008		
TOLERANCES UNLESS OTHERWISE SPECIFIED: 一般公差		APVD T.YAMADA 21MAR2008	NAME 名称	
0 PLC ± 0.3		PRODUCT SPEC 製品規格	BOARD TO BOARD	
1 PLC ± 0.3		APPLICATION SPEC 取付適用規格	0.8mm PITCH 6.0HEIGHT VERTICAL, SMT TYPE	
2 PLC ± 0.2		SIZE A3	CAGE CODE 00779	DRAWING NO 番号 G=2040478
3 PLC ± -		WEIGHT	RESTRICTED TO	
4 PLC ± -		CUSTOMER DRAWING	SCALE 尺度 NTS	SHEET 1 OF 5
ANGLES ± 3'			REV E1	

THIS DRAWING IS UNPUBLISHED.

RELEASED FOR PUBLICATION

MAR ,2008.

© COPYRIGHT 2008 TE Connectivity Ltd.

ALL RIGHTS RESERVED.

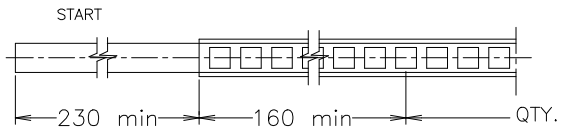
REVISIONS

変更

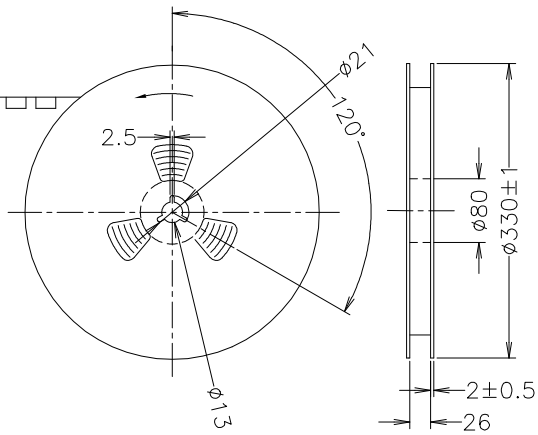
P	LTR	DESCRIPTION	DATE	DWN	APVD
-	-	SEE SHEET 1	-	-	-

NOTE

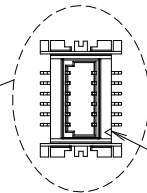
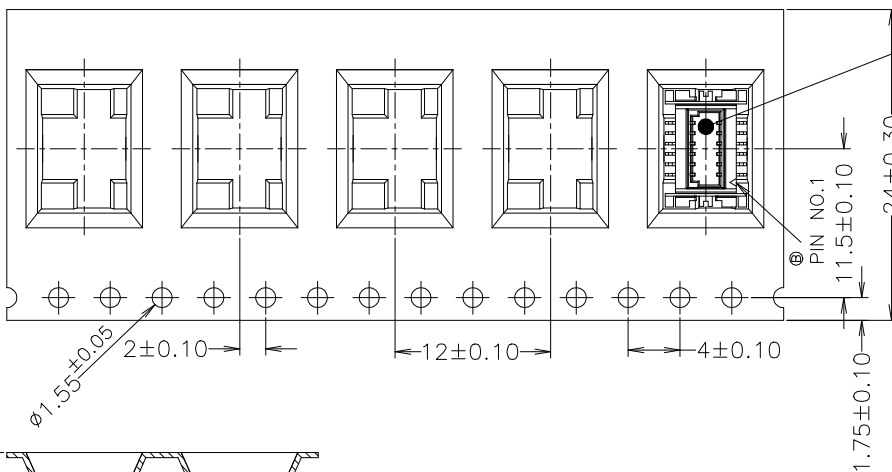
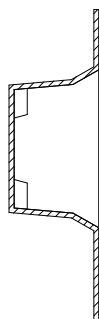
- MATERIAL
 - EMBOSSED CARRIER: PS
 - COVER TAPE: PS
 - SHIPPING CARTON: CORRUGATED FIBER
- DIMENSION
 - REEL: W=24.0
 - SHIPPING CARTON: L=350, W=350, H=350
- QUANTITY
 - PRIMARY PACKING: 700PCS/REEL
 - SECONDARY PACKING: 10 REELS/CARTON(7000PCS)Ⓞ
- WEIGHT
 - GROSS WEIGHT: 0.55kg/REEL, 6.3kg/CARTON.
- PEELING RESISTANCE: 30.0gf~120.0gf
(PEELING SPEED: 300mm/minutes.)



FEED OUT DIRECTION



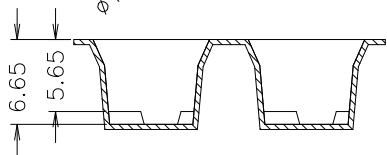
FEED OUT DIRECTION



PIN NO.1 MARK

OBsolete

AS SHOWN: 1-2040478-2



THIS DRAWING IS A CONTROLLED DOCUMENT.		DWN H.FUKUZAKI 21MAR2008	TE Connectivity Ltd.	
DIMENSIONS: 単位: 耗 mm		CHK T.YAMADA 21MAR2008		
TOLERANCES UNLESS OTHERWISE SPECIFIED: 一般公差		APVD T.YAMADA 21MAR2008	NAME 名称	
0 PLC ± 0.3 1 PLC ± 0.3 2 PLC ± 0.2 3 PLC ± - 4 PLC ± - ANGLES ± 3°		PRODUCT SPEC 製品規格 108-78548	BOARD TO BOARD 0.8mm PITCH 6.0HEIGHT VERTICAL, SMT TYPE	
MATERIAL 材料		APPLICATION SPEC 取付適用規格	SIZE A3	RESTRICTED TO
FINISH 仕上		WEIGHT	CAGE CODE 00779	DRAWING NO 番号 G=2040478
		CUSTOMER DRAWING	SCALE 尺度 NTS	SHEET 2 OF 5
				REV E1

THIS DRAWING IS UNPUBLISHED.

RELEASED FOR PUBLICATION

MAR ,2008.

© COPYRIGHT 2008 TE Connectivity Ltd.

ALL RIGHTS RESERVED.

REVISIONS

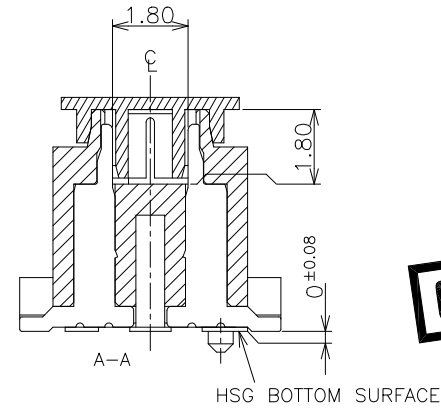
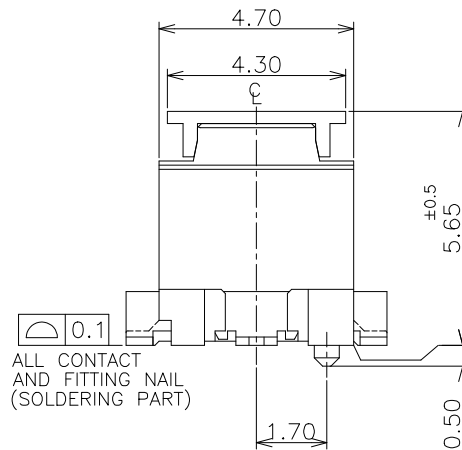
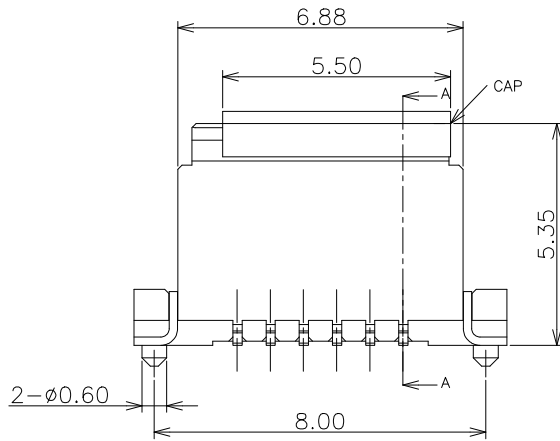
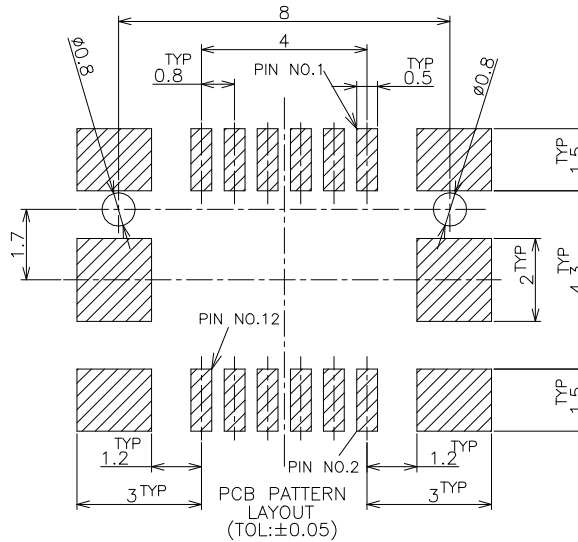
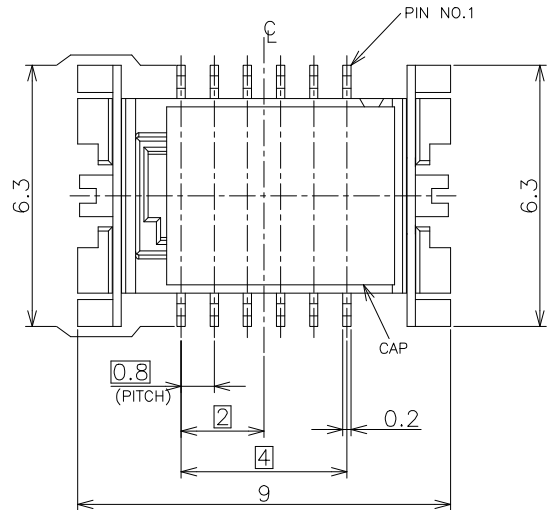
変更

P	LTR	DESCRIPTION	DATE	DWN	APVD
-	-	SEE SHEET 1	-	-	-

NOTE

1. MATERIAL:

CAP : THERMOPLASTIC OR LCP, UL94V-0
OTHR COMPONENT : SEE SHEET1



OBSELETE

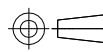
ALL CONTACT AND FITTING NAIL (SOLDERING PART)

AS SHOWN: 2-2040478-2, 3-2040478-2

THIS DRAWING IS A CONTROLLED DOCUMENT.

DIMENSIONS:
単位: 耗
mm

TOLERANCES UNLESS
OTHERWISE SPECIFIED:
一般公差



- 0 PLC ± 0.3
- 1 PLC ± 0.3
- 2 PLC ± 0.2
- 3 PLC ± -
- 4 PLC ± -
- ANGLES ± 3'
- FINISH 仕上

MATERIAL
材料

DWN H.FUKUZAKI 21MAR2008
CHK T.YAMADA 21MAR2008
APVD T.YAMADA 21MAR2008
PRODUCT SPEC 製品規格
108-78548
APPLICATION SPEC 取付適用規格



TE Connectivity Ltd.

BOARD TO BOARD
0.8mm PITCH 6.0HEIGHT VERTICAL, SMT TYPE

WEIGHT
CUSTOMER DRAWING

SIZE A3 CAGE CODE 00779 DRAWING NO. 番号 G=2040478
RESTRICTED TO

SCALE 尺度 NTS SHEET 3 OF 5 REV E1

4

3

2

1

THIS DRAWING IS UNPUBLISHED.

RELEASED FOR PUBLICATION

MAR, 2008.

© COPYRIGHT 2008 TE Connectivity Ltd.

ALL RIGHTS RESERVED.

REVISIONS

変更

P	LTR	DESCRIPTION	DATE	DWN	APVD
-	-	SEE SHEET 1	-	-	-

START

FEED OUT DIRECTION

NOTE

- MATERIAL
 - EMBOSSED CARRIER: PS
 - COVER TAPE: PS
 - SHIPPING CARTON: CORRUGATED FIBER
- DIMENSION
 - REEL: W=24.0
 - SHIPPING CARTON: L=350, W=350, H=350
- QUANTITY
 - PRIMARY PACKING: 700PCS/REEL
 - SECONDARY PACKING: 10 REELS/CARTON(7000PCS)Ⓢ
- WEIGHT
 - GROSS WEIGHT: 0.58kgf/REEL, 6.3kgf/CARTON.
- PEELING RESISTANCE: 30.0gf~120.0gf
(PEELING SPEED: 300mm/minutes.)

FEED OUT DIRECTION

PIN NO.1 MARK

OBSELETE

AS SHOWN: 2-2040478-2, 3-2040478-2

THIS DRAWING IS A CONTROLLED DOCUMENT.

DWN H.FUKUZAKI 21MAR2008

CHK T.YAMADA 21MAR2008

APVD T.YAMADA 21MAR2008

PRODUCT SPEC

製品規格 108-78548

APPLICATION SPEC

取付適用規格

WEIGHT

CUSTOMER DRAWING

TE Connectivity Ltd.

NAME

BOARD TO BOARD

0.8mm PITCH 6.0HEIGHT VERTICAL, SMT TYPE

SIZE

A3

CAGE CODE

00779

DRAWING NO

G=2040478

RESTRICTED TO

REV E1

DIMENSIONS:

單位: 耗

mm

TOLERANCES UNLESS OTHERWISE SPECIFIED:

一般公差

0 PLC ± 0.3

1 PLC ± 0.3

2 PLC ± 0.2

3 PLC ± -

4 PLC ± -

ANGLES ± 3'

MATERIAL

材料

FINISH

仕上

1470-19 (1/15)

Downloaded From Oneyac.com

THIS DRAWING IS UNPUBLISHED.

RELEASED FOR PUBLICATION

MAR., 2008.

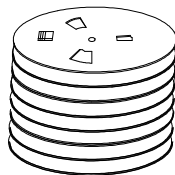
© COPYRIGHT 2008 TE Connectivity Ltd.

ALL RIGHTS RESERVED.

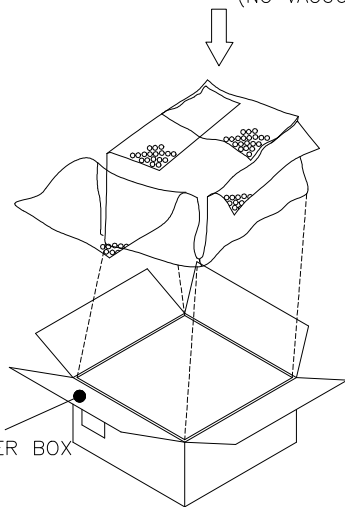
REVISIONS

P	LTR	DESCRIPTION	DATE	DWN	APVD
-	-	SEE SHEET 1	-	-	-

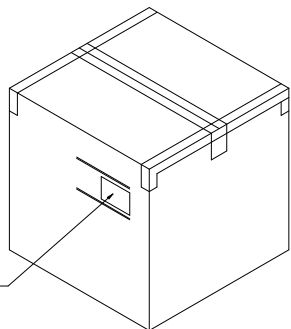
AS SHOWN: 1-2040478-2



10 x EACH REEL (NO VACUUM PACKED)



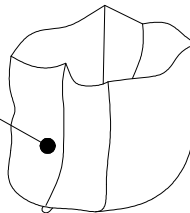
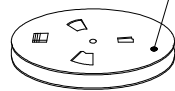
SHIPPER BOX



PASSING LABEL

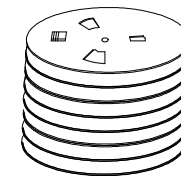
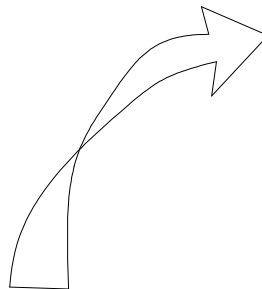
AS SHOWN: 2-2040478-2
3-2040478-2

EMBOSS TAPE REEL

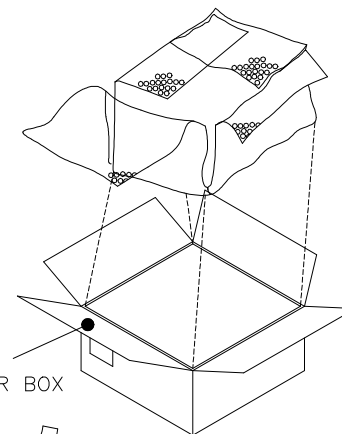


VINYL BAG

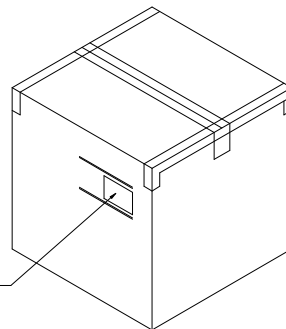
VACUUM PACKING FOR EACH REEL



10 x EACH VACUUM PACKED REEL



SHIPPER BOX



PASSING LABEL

OBSOLETE

THIS DRAWING IS A CONTROLLED DOCUMENT.		DWN H.FUKUZAKI 21MAR2008	TE Connectivity Ltd. BOARD TO BOARD 0.8mm PITCH 6.0HEIGHT VERTICAL, SMT TYPE	
DIMENSIONS: 単位: 耗 mm		CHK T.YAMADA 21MAR2008		
TOLERANCES UNLESS OTHERWISE SPECIFIED: 一般公差		APVD T.YAMADA 21MAR2008	NAME 名称	
0 PLC ± 0.3 1 PLC ± 0.3 2 PLC ± 0.2 3 PLC ± - 4 PLC ± - ANGLES ± 3°		PRODUCT SPEC 製品規格 108-78548	SIZE A3	
MATERIAL 材料		APPLICATION SPEC 取付適用規格	CAGE CODE 00779	DRAWING NO 番号 G=2040478
FINISH 仕上		WEIGHT	RESTRICTED TO	
		CUSTOMER DRAWING	SCALE 尺度 NTS	SHEET 5 OF 5
			REV E1	

单击下面可查看定价，库存，交付和生命周期等信息

[>>TE Connectivity\(泰科\)](#)