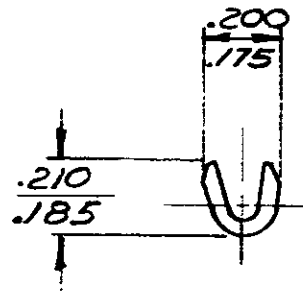
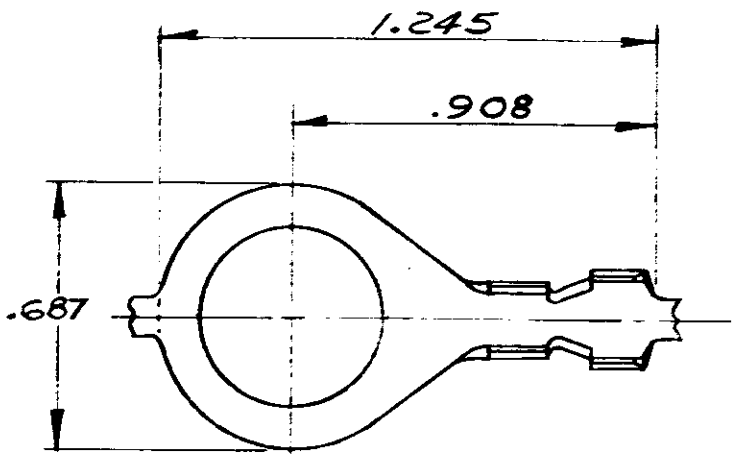
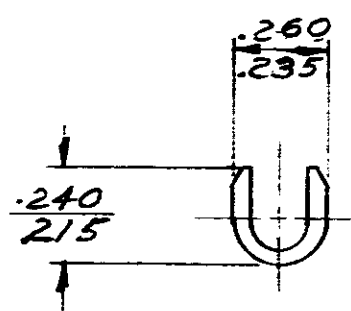
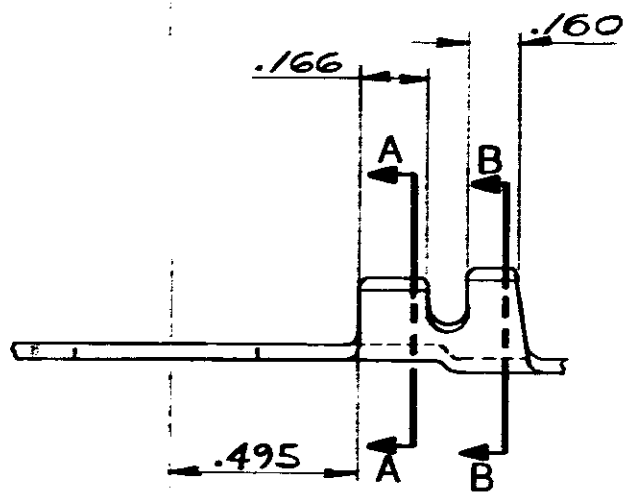


NUMBER  
61337



SECT. - A-A



SECT. - B-B

CONTINUOUS STRIP ON REELS

WIRE SIZE A.W.G.	INSULATION RANGE	STUD #	HOLE DIA. ±.005	MATERIAL AND FINISH	TERMINAL NUMBER
16-14	.120-180	1/2	.515	.040 - BRASS - TIN	61337-1

DIMENSIONS IN INCHES. DO NOT SCALE PRINT

©1967 BY AMP INCORPORATED, ALL RIGHTS RESERVED. AMP PRODUCTS COVERED BY PATENTS AND/OR PATENTS PENDING.

**CUSTOMER COPY  
REFERENCE ONLY**

B	.495 WIRE .500 PER A 5319	2/3	2/17/67
A	REVISED RELEASED A-1129	NON REF	2/16/67
PER ECR-A11B			
WAS P-2987B			

MATERIAL AND FINISH	
X	
WIRE RANGE	INSULATION TYPE



CLASS	#
WIRE RANGE	#

LT	REVISION RECORD	DR	CHK	DATE
	DR CLAIR E. FINK 11-7-67	DE	C. MEYERS	11-5-67
CHK	C. MEYERS 11-5-67	APP		

TOLERANCE EXCEPT AS NOTED ± .015	SCALE 2-1	LOC A	NO 61337	REV B
NAME				

**RING**

单击下面可查看定价，库存，交付和生命周期等信息

[>>TE Connectivity\(泰科\)](#)