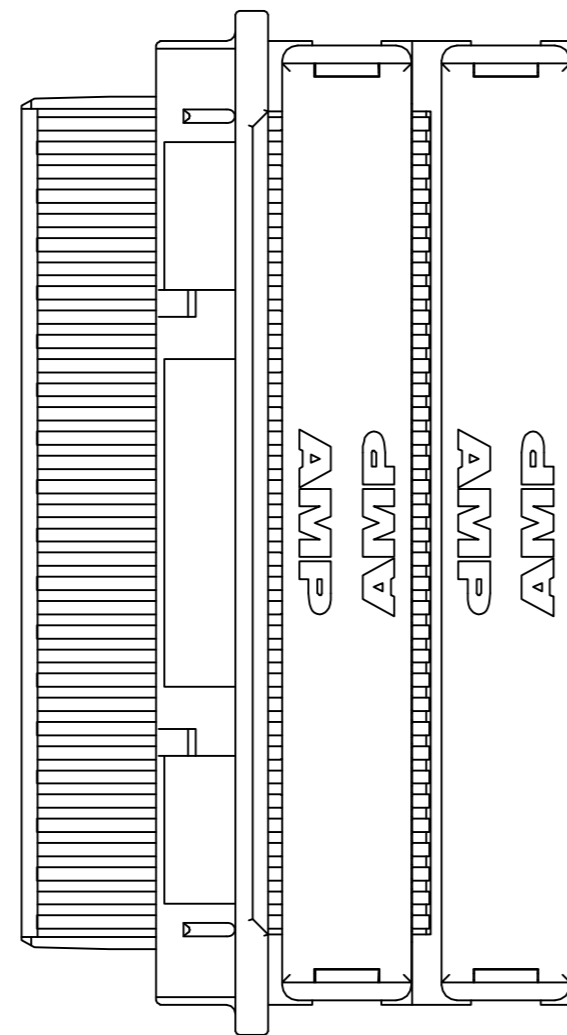
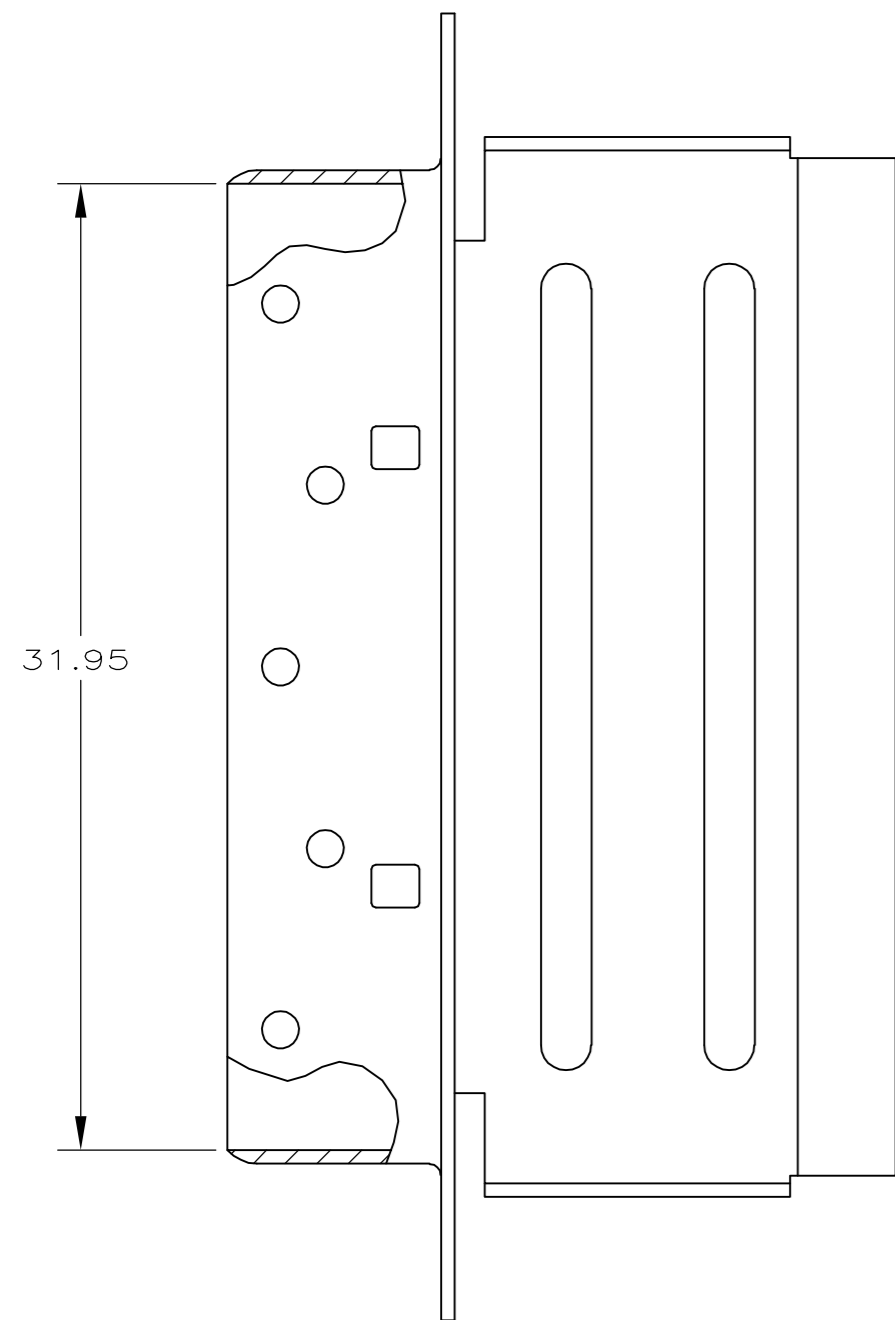
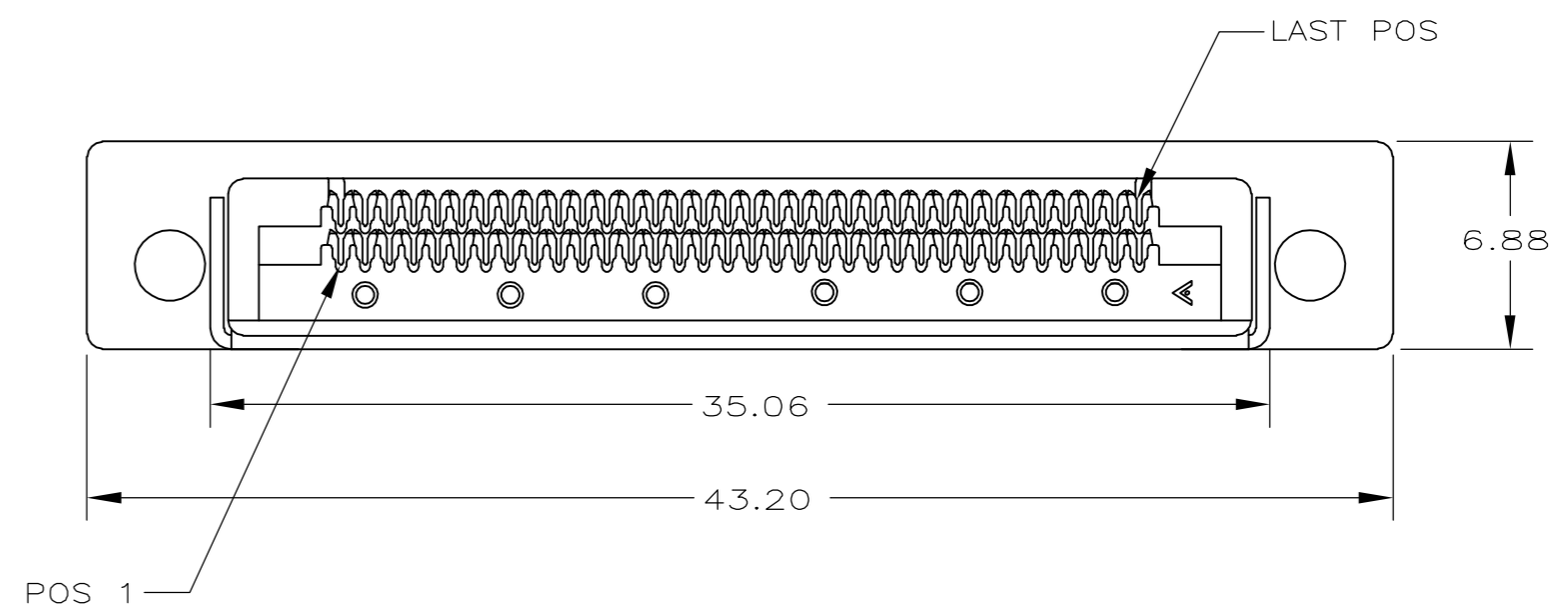
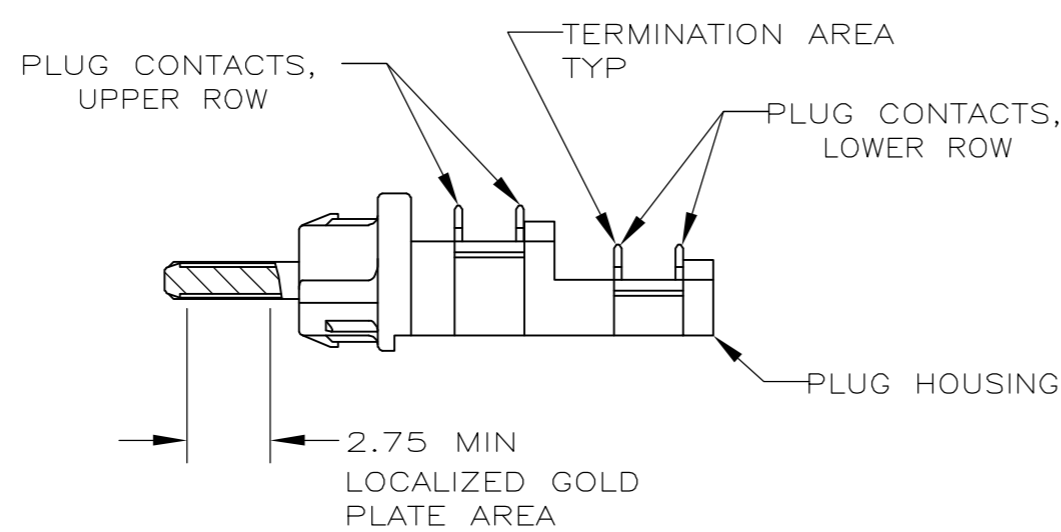
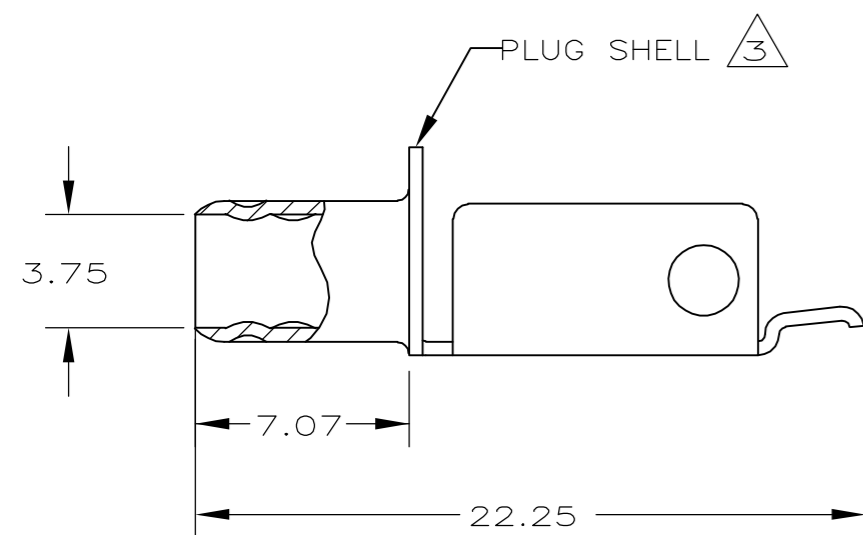
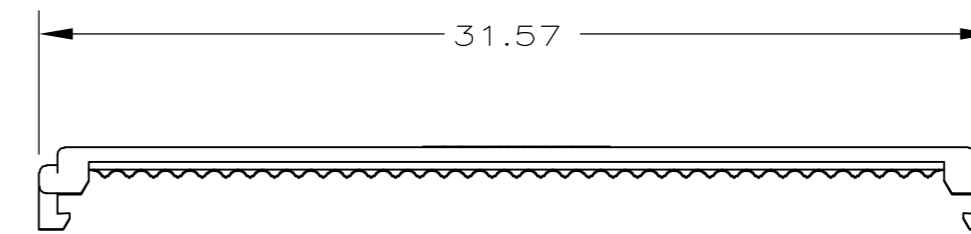
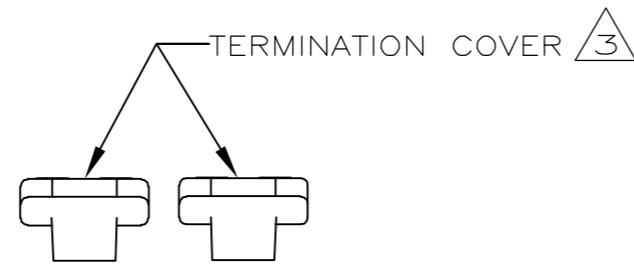


THIS DRAWING IS UNPUBLISHED. RELEASED FOR PUBLICATION
 © COPYRIGHT 20 BY TYCO ELECTRONICS CORPORATION. ALL RIGHTS RESERVED.

LOC		DIST		REVISIONS			
P	LTR	DESCRIPTION		DATE	DWN	APVD	
GP	00	0		RELEASED PER EC 0S13-0556-04	28JUL05	JG	SS



- 1 CONTACTS: PHOSPHOR BRONZE.
SHELL: CARBON STEEL.
HOUSING: LCP, UL94V-0 RATED, COLOR NATURAL.
COVERS: LCP, UL94V-0 RATED, COLOR BLACK.
- 2 CONTACTS: 0.76µm MINIMUM GOLD PLATE IN LOCALIZED GOLD PLATE AREA, 1.27µm MINIMUM TIN PLATE IN TERMINATION AREA, ALL OVER 1.27µm MINIMUM NICKEL.
SHELL: 5.08µm MINIMUM NICKEL OVER 1.27µm MINIMUM COPPER.
- 3 TERMINATION COVERS AND PLUG SHELL ARE PACKAGED UNASSEMBLED.
- 4. RECOMMENDED WIRE: 30 AWG WITH A 0.56-0.64 INSULATION DIAMETER, WIRE MUST BE APPROVED BY TYCO ELECTRONICS ENGINEERING.



578775

578775-1
PART NUMBER

**COPYRIGHT 2005
TYCO ELECTRONICS CORP
ALL RIGHTS RESERVED**

THIS DRAWING IS A CONTROLLED DOCUMENT.		DWN	J.GERACE	28JUL05	 Tyco Electronics Corporation Harrisburg, Pa 17105-3608	
DIMENSIONS: mm		CHK	S.SHUEY	28JUL05		
TOLERANCES UNLESS OTHERWISE SPECIFIED:		APVD	M.WALMSLEY	28JUL05		
0 PLC ± - 1 PLC ± - 2 PLC ± 0.13 3 PLC ± - 4 PLC ± - ANGLES ± - FINISH		PRODUCT SPEC	108-1471			
MATERIAL		APPLICATION SPEC	-		NAME	PLUG KIT, UNASSEMBLED, 68 POS, OFFSET CABLE CONNECTOR, CHAMP 0.8MM
1		WEIGHT	-		SIZE	A2
2		CUSTOMER DRAWING	SCALE	4:1	CAGE CODE	00779
			SHEET	1	DRAWING NO	C=5787775
			OF	1	RESTRICTED TO	-
			REV	0		

单击下面可查看定价，库存，交付和生命周期等信息

[>>TE Connectivity\(泰科\)](#)