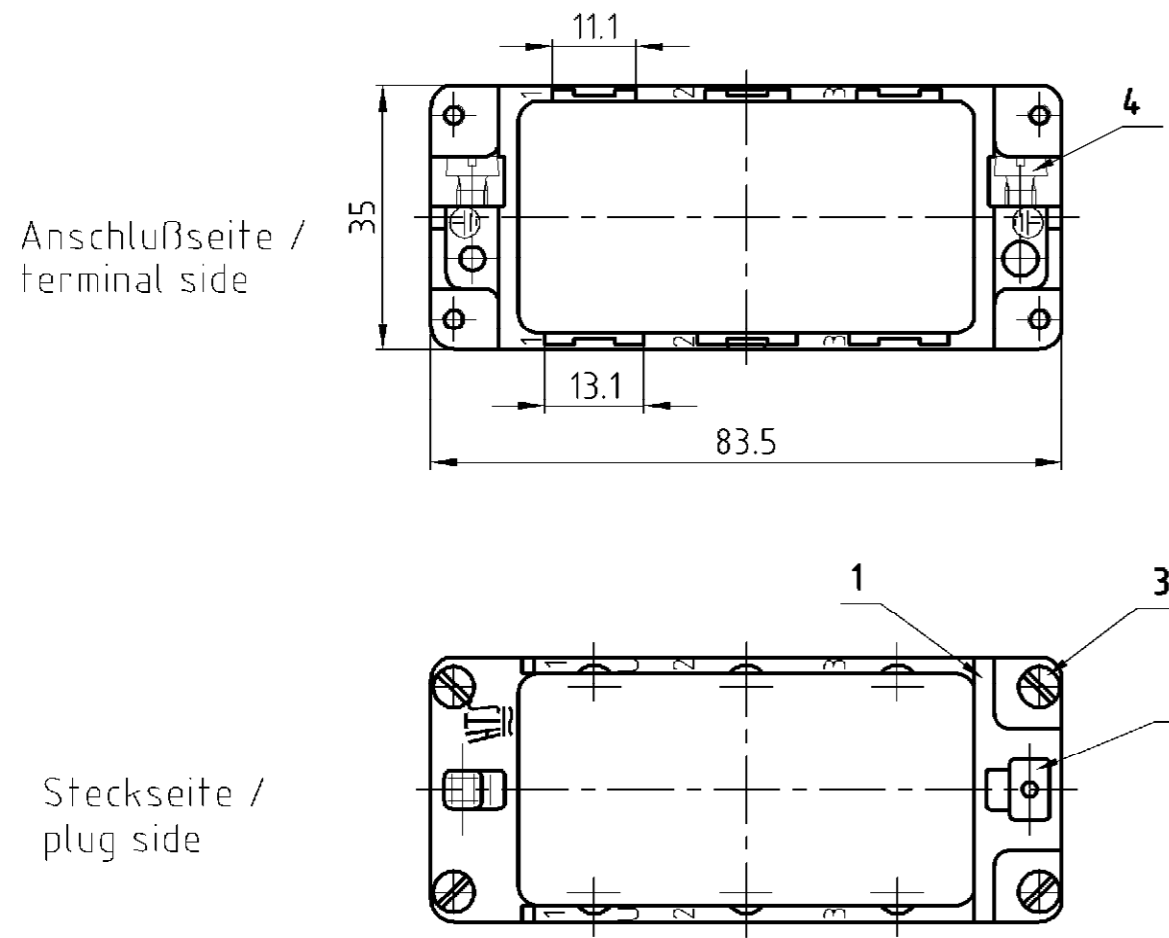
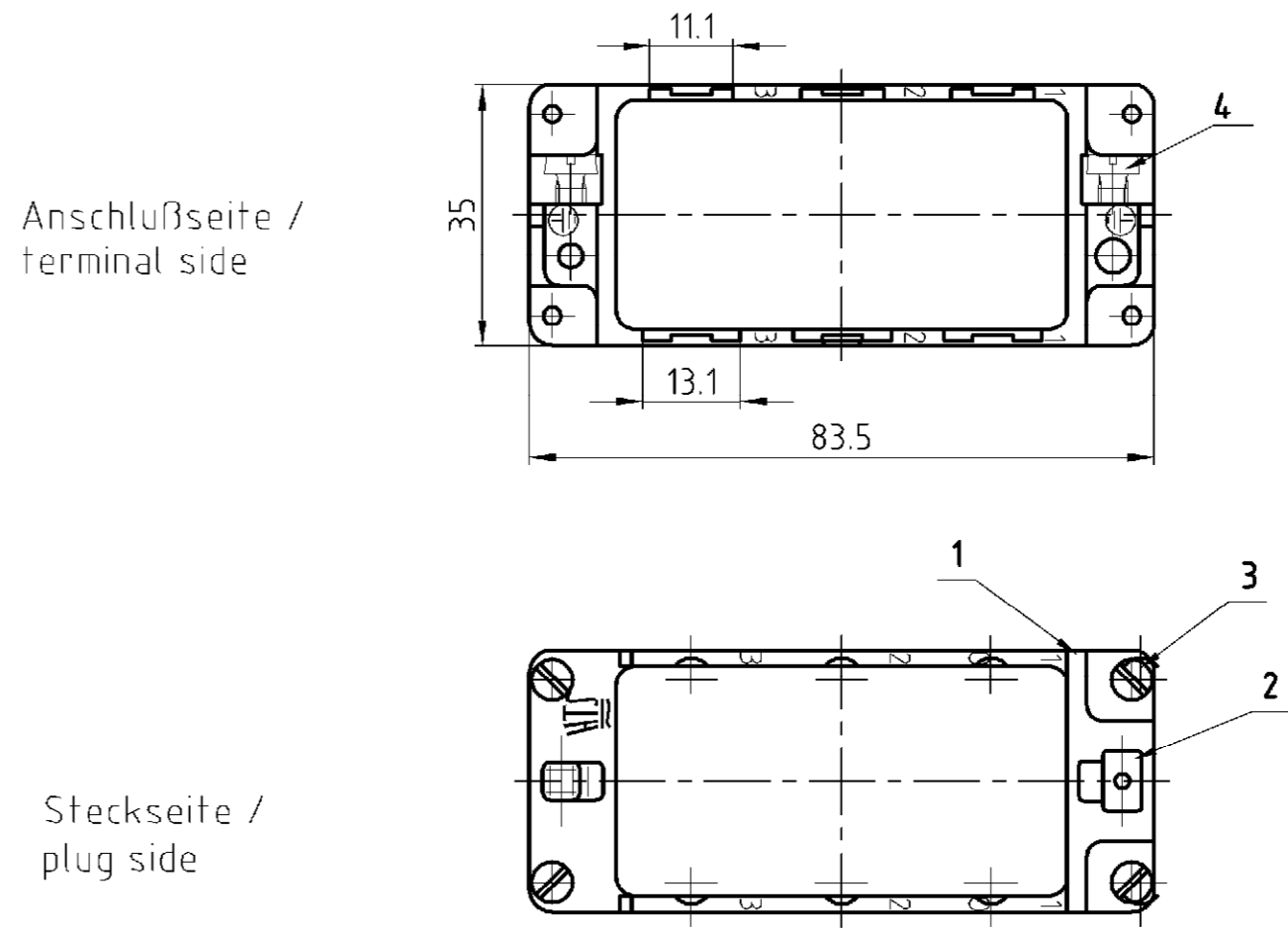


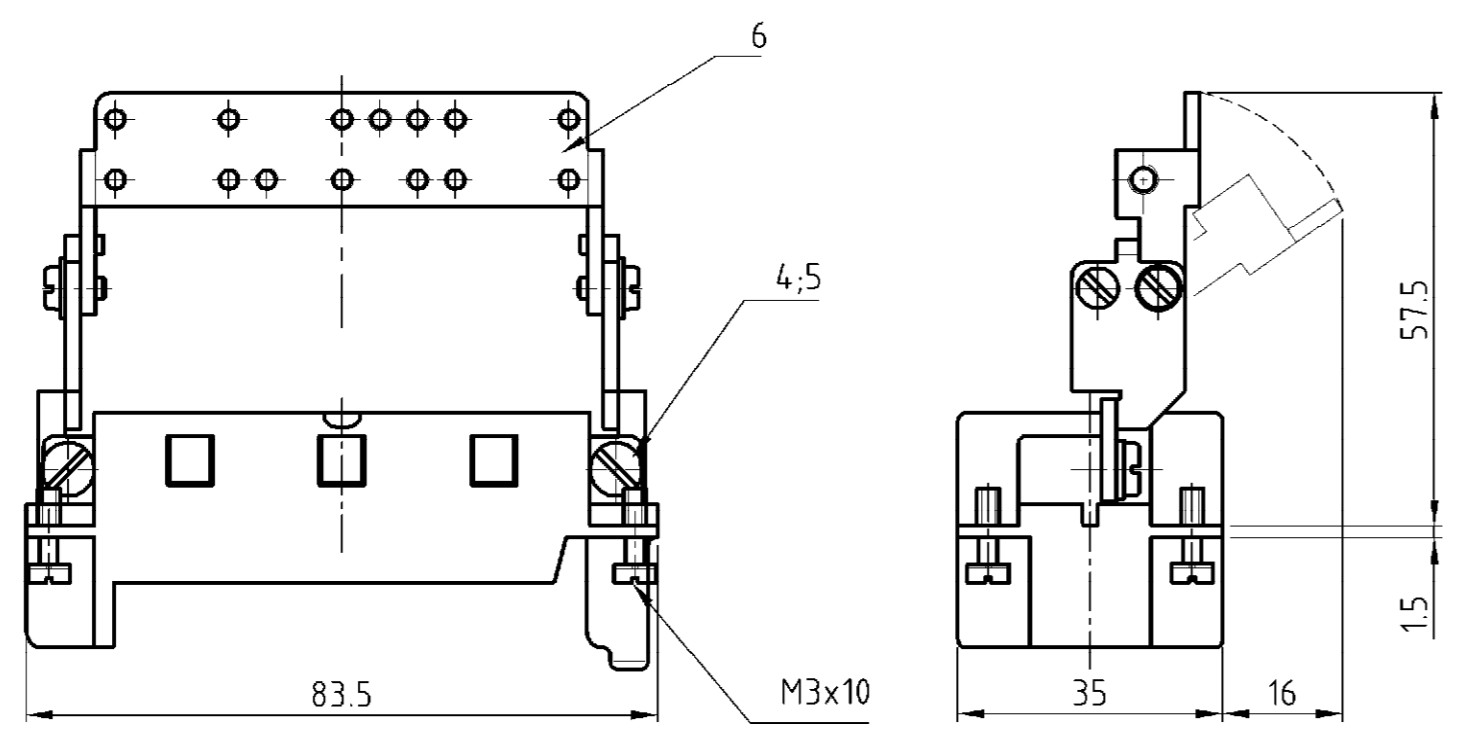
**Unterteil / bottom**



**Oberteil / upper part**



3 OBSOLETE



3	3	3	3	1	2	DESCRIPTION / BENENNUNG	MATERIAL	SURFACE/COLOR	ITEM NO. Pos.	NOTES / BEMERKUNGEN
1						Schirmbügel schwenkbar / screen termination rotating	Stahl / steel	Verzinkt / tin plated	6	
2						Federring / spring lock washer	Stahl / steel	Verzinkt / tin plated	5	DIN 128 - A4
2	2	2	2	2	2	Zylinderschr. mit Schlitz / cylinder screw with slit	Messing / brass	Vernickelt / nickel plated	4	M4x10
4	4	4	4	4	4	Befestigungsschraube / fixing screw	Stahl / steel	Vernickelt / nickel plated	3	M3x10
1	1	1		1	1	Erdkontaktfeder / spring f. grounding cont.	Bronze / bronze	Vernickelt / nickel plated	2	
1	1	1		1	1	Modulrahmen / module frame	Zink-Leg / zinc alloy	Verzinkt / tin plated	1	

MDL2-GR-U-6/SB-B1-3	MDL2-GR-U-6-B4-6	MDL2-GR-O-6-B4-6	MDL2-GR-O-6/SB-B1-3	MDL2-GR-U-6-B1-3	MDL2-GR-O-6-B1-3
---------------------	------------------	------------------	---------------------	------------------	------------------

0-60-50-40-30-20-1	DESCRIPTION / BENENNUNG	MATERIAL	SURFACE/COLOR	ITEM NO. Pos.	NOTES / BEMERKUNGEN
MDL2-GR-U-6/SB-B1-3	OTHERWISE SPECIFIED: ALLGEMEINTOLERANZEN	DWN Wroblewski	APVD	NAME	Assembling Frame size 6 Zusammenstellung Rahmen Gr 6
MDL2-GR-U-6/SB-B1-3	DIMENSIONEN mm	CHK Baum	PRODUCT SPEC	DRAWING NO	
MDL2-GR-U-6/SB-B1-3	0 PLC	APVD	APPLICATION SPEC	SIZE	A2
MDL2-GR-U-6/SB-B1-3	1 PLC	PRODUCT SPEC	VERARBEITUNGSSPEZ.	CAGE CODE	
MDL2-GR-U-6/SB-B1-3	2 PLC	WEIGHT	CUSTOMER DRAWING	DRAWING NO	1108782
MDL2-GR-U-6/SB-B1-3	3 PLC	78g, 120g	RESTRICTED TO NUR FUER	ZEICHNUNGS-NR	1108782
MDL2-GR-U-6/SB-B1-3	ANGLES / WINKEL			NASSSTAB	1:1
MDL2-GR-U-6/SB-B1-3	FINISH / OBERFLÄCHE / FARBE			BLATT	1
MDL2-GR-U-6/SB-B1-3				OF VON	1
MDL2-GR-U-6/SB-B1-3				REV	B3

单击下面可查看定价，库存，交付和生命周期等信息

[>>TE Connectivity\(泰科\)](#)