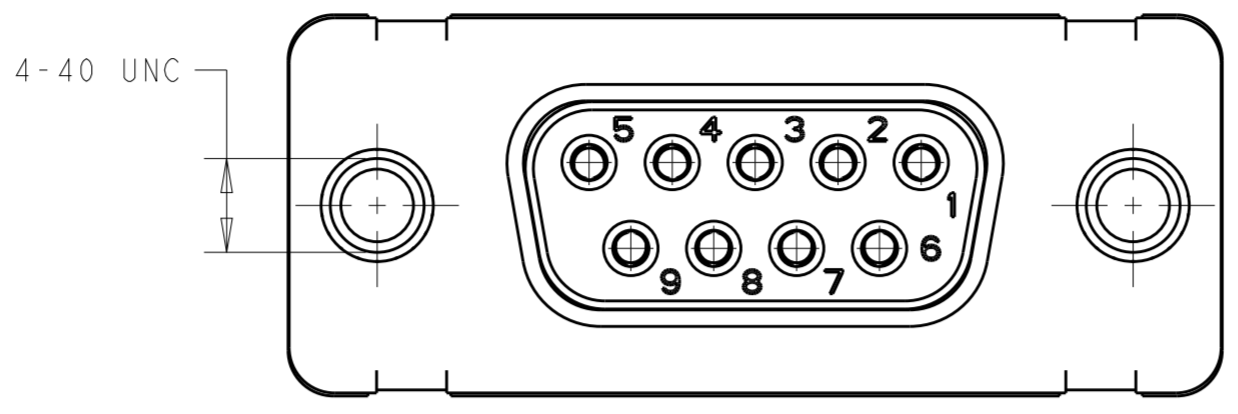
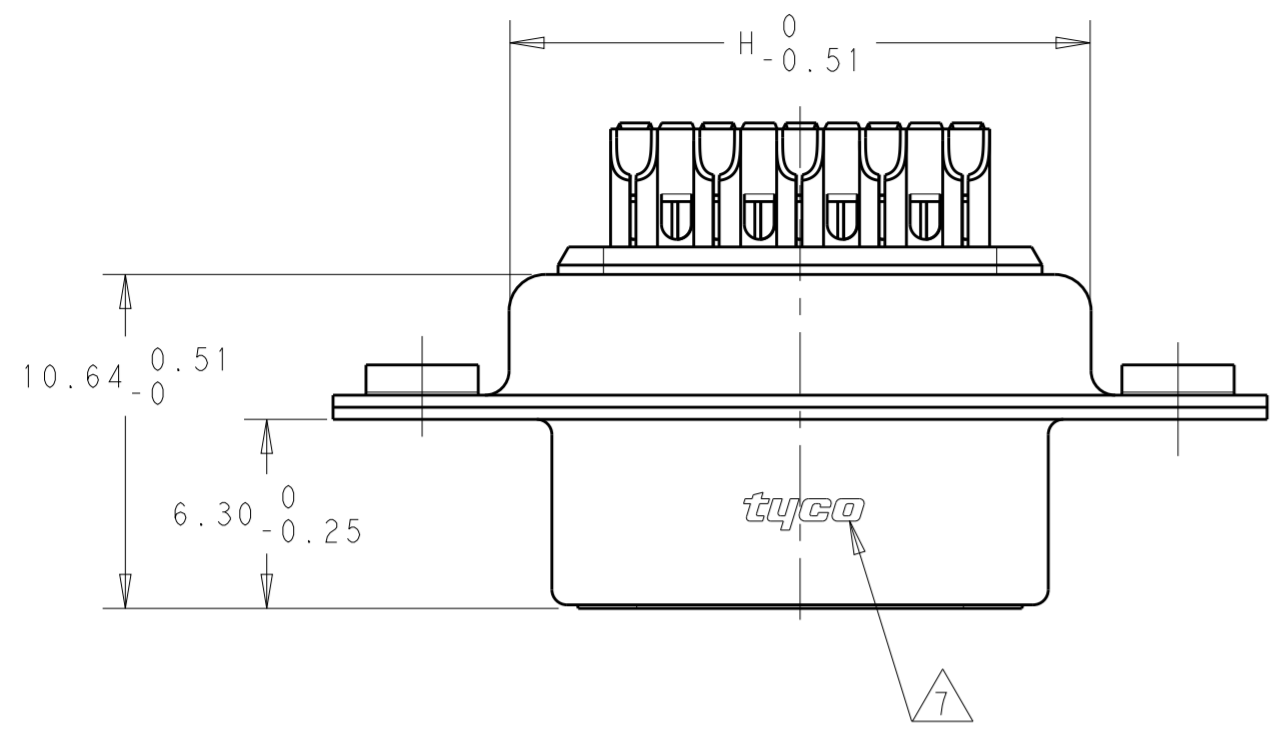
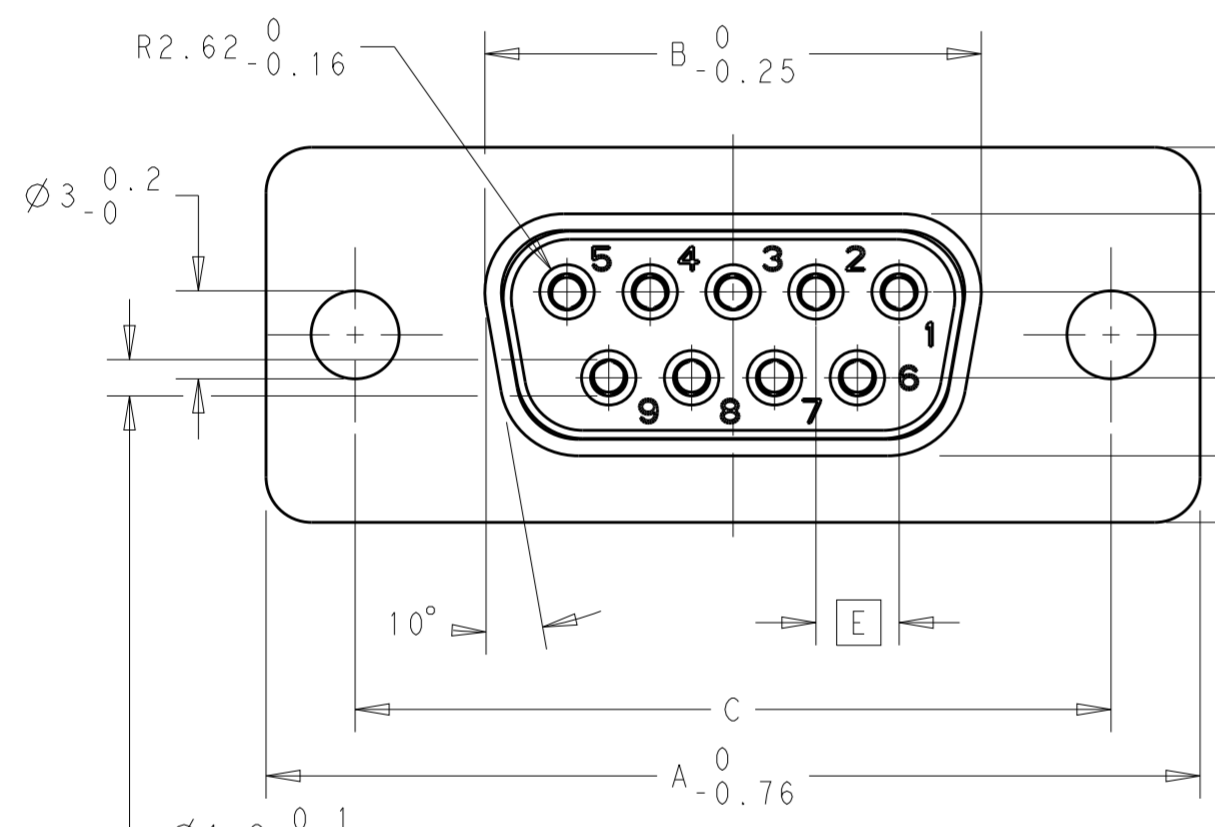
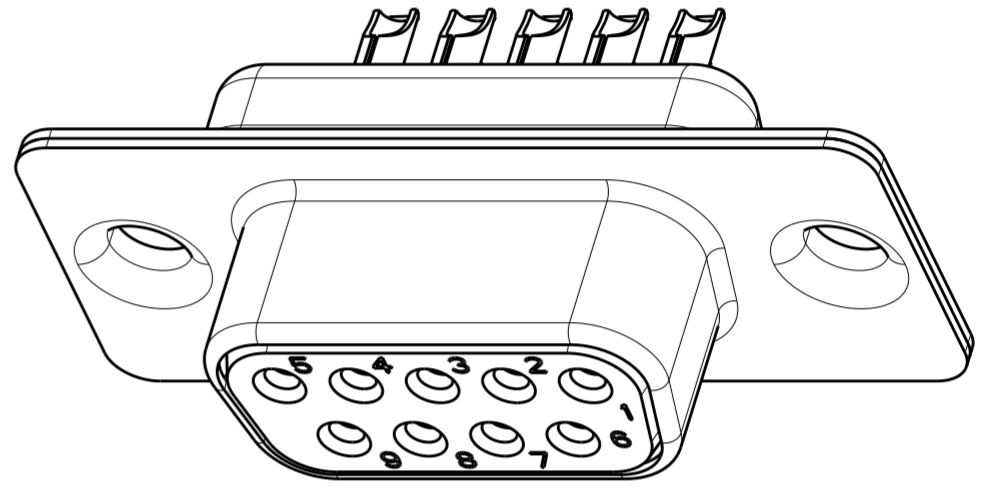
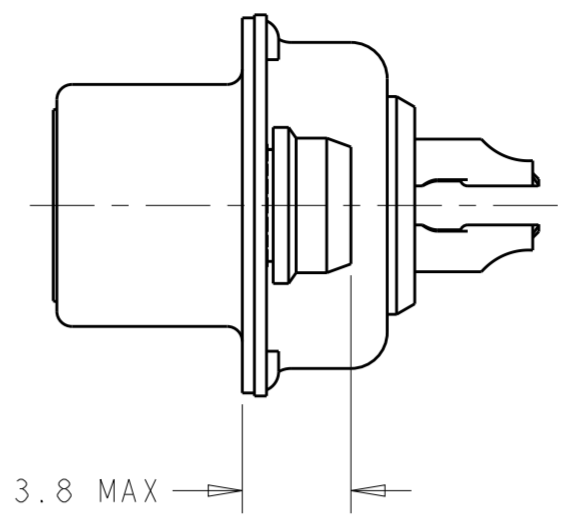


THIS DRAWING IS UNPUBLISHED. RELEASED FOR PUBLICATION 2011  
 © COPYRIGHT 2011 ALL RIGHTS RESERVED.

LOC		DIST		REVISIONS			
P	LTR	DESCRIPTION	DATE	DWN	APVD		
GP	00						
	B	REDRAWN PER ECO-12-008266	27AUG2012	CJV	CWR		
	C	REVISED PER ECO-13-007439	09JUL2013	CJV	CWR		
	D	REVISED PER ECO-15-007873	20JUN2015	AP	SB		
	E	REVISED PER ECO-15-015465	13MAY2016	CJV	DLG		



FLANGES WITH 4-40 UNC SELF-LOCKING NUTS TORQUE RETENTION ≥80NCM



FLANGES WITH HOLES

⊕ 0.08 M ALL CONTACTS

- 9 POSITION VERSION SHOWN.
- CONTACTS ARE STAMPED AND FORMED.
- PACKAGED IN BLISTER PACKS.
- PLATING DETAILS: ALL MEET PERFORMANCE LEVEL INDICATED IN TABLE PER DIN 41652.  
 UNDERPLATE: NICKEL OVER ENTIRE CONTACT  
 PERFORMANCE LEVEL 1 CONTACT MATING SURFACE: GOLD  
 PERFORMANCE LEVEL 2 CONTACT MATING SURFACE: GOLD  
 SOLDER CUP END: MATTE TIN  
 SHELL PLATING: BRIGHT TIN OVER NICKEL
- 50 CONTACT VERSION HAS 3 ROWS.
- 4-40 UNC INSERTS COLORED BLUE.
- ALL PARTS MARKED WITH TE LOGO.

OBSOLETE	2	3.0 DIAMETER HOLE	67.31	52.55	61.10 +0.14/-0.11	10.87	15.75	2.76	55.58	13.82	50	V42254-A1115-B250	1393740-7
	2	3.0 DIAMETER HOLE	69.70	54.96	63.50 ±0.13	8.02	12.93	2.76	57.96	10.97	37	V42254-A1115-B237	4-1393483-1
	2	3.0 DIAMETER HOLE	53.42	38.50	47.04 ±0.13	8.02	12.93	2.76	41.53	10.97	25	V42254-A1115-B225	4-1393483-0
	2	3.0 DIAMETER HOLE	39.52	24.79	33.30 +0.15/-0.10	8.02	12.93	2.74	27.76	10.97	15	V42254-A1115-B215	3-1393483-9
OBSOLETE	2	3.0 DIAMETER HOLE	31.19	16.46	25.00 +0.12/-0.13	8.02	12.93	2.74	19.53	10.97	9	V42254-A1115-B209	3-1393483-8
	1	3.0 DIAMETER HOLE	53.42	38.50	47.04 ±0.13	8.02	12.93	2.76	41.53	10.97	25	V42254-A1115-B125	3-1393483-7
	1	3.0 DIAMETER HOLE	31.19	16.46	25.00 +0.12/-0.13	8.02	12.93	2.74	19.53	10.97	9	V42254-A1115-B109	3-1393483-6
	2	4-40 SELF-LOCKING NUTS	69.70	54.96	63.50 ±0.13	8.02	12.93	2.76	57.96	10.97	37	V42254-A1112-B237	2-1393483-2
	2	4-40 SELF-LOCKING NUTS	53.42	38.50	47.04 ±0.13	8.02	12.93	2.76	41.53	10.97	25	V42254-A1112-B225	2-1393483-1
	2	4-40 SELF-LOCKING NUTS	39.52	24.79	33.30 +0.15/-0.10	8.02	12.93	2.74	27.76	10.97	15	V42254-A1112-B215	2-1393483-0
	2	4-40 SELF-LOCKING NUTS	31.19	16.46	25.00 +0.12/-0.13	8.02	12.93	2.74	19.53	10.97	9	V42254-A1112-B209	1-1393483-9
PERFORMANCE LEVEL		FLANGE OPTION	A	B	C	D	E	F	H	J	NO OF POSITIONS	SIEMENS PART NUMBER	TE CONNECTIVITY PART NUMBER

THIS DRAWING IS A CONTROLLED DOCUMENT. DIMENSIONING AND TOLERANCING PER ASME Y14.5M-2009

DIMENSIONS: mm

TOLERANCES UNLESS OTHERWISE SPECIFIED:  
 0 PLC ±  
 1 PLC ±  
 2 PLC ±  
 3 PLC ±  
 4 PLC ±  
 ANGLES ±1°  
 FINISH

MATERIAL

THIS DRAWING IS UNPUBLISHED. RELEASED FOR PUBLICATION 2011

DWN RAGHAVENDRA 06MAR2012  
 CHK CARL ROHDE 06MAR2012  
 APVD CARL ROHDE 06MAR2012

NAME: D-SUB SOLDERING LUGS, FEMALE CONNECTOR

SIZE: A2 CAGE CODE: 00779 DRAWING NO: C-1-1393483-9

RESTRICTED TO: -

CUSTOMER DRAWING SCALE: 4:1 SHEET 1 OF 1 REV E

单击下面可查看定价，库存，交付和生命周期等信息

[>>TE Connectivity\(泰科\)](#)