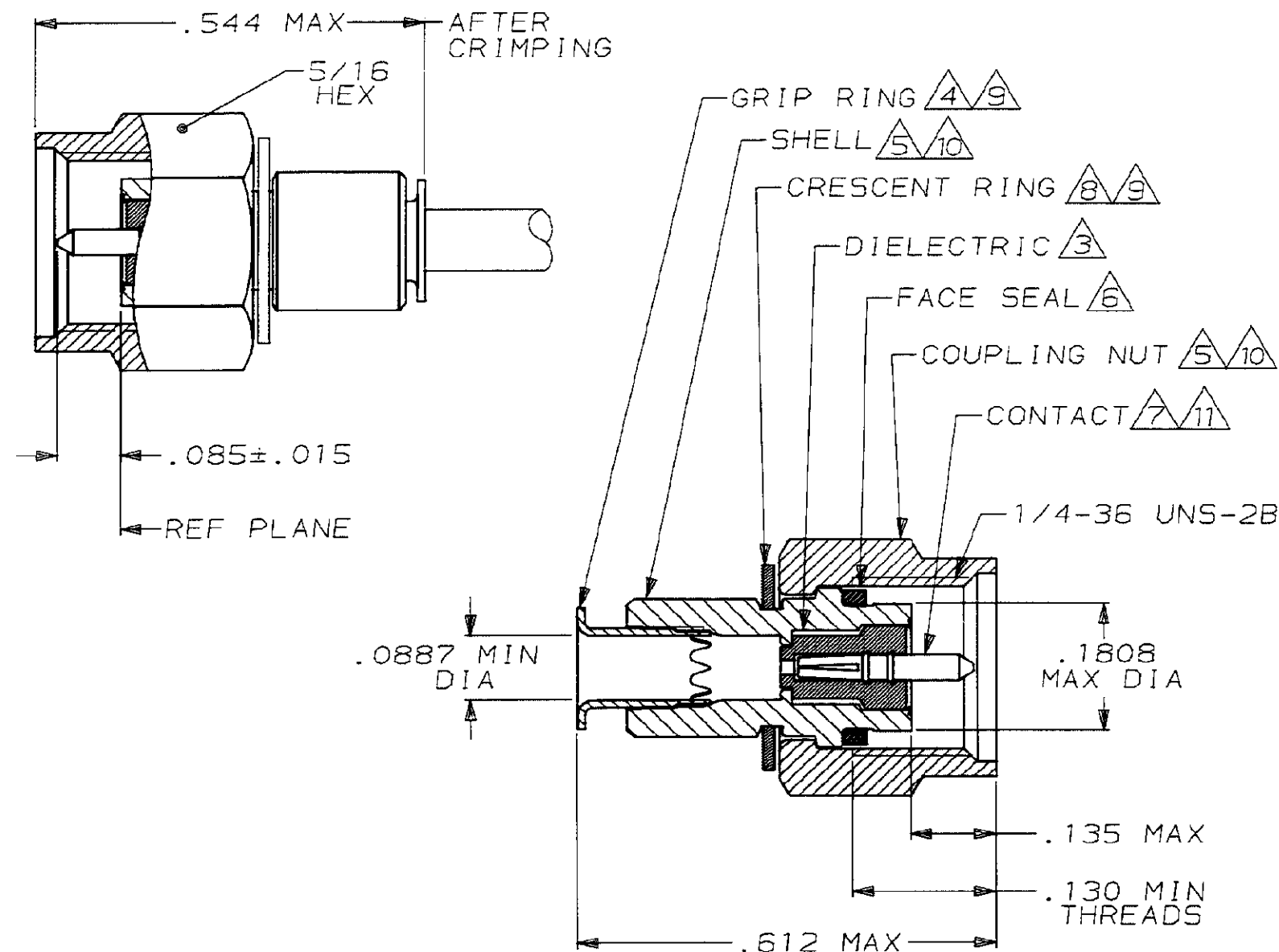


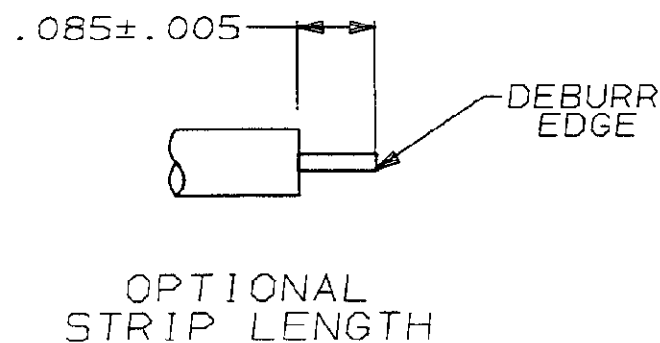
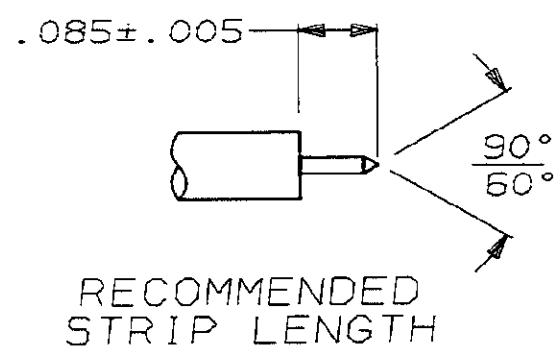
DRAWING MADE IN THIRD ANGLE PROJECTION

THIS DRAWING IS UNPUBLISHED. RELEASED FOR PUBLICATION, 19
 © COPYRIGHT 19 BY AMP INCORPORATED, HARRISBURG, PA. ALL INTERNATIONAL RIGHTS RESERVED. AMP PRODUCTS MAY BE COVERED BY U.S. AND FOREIGN PATENTS AND/OR PATENTS PENDING.

LOC	DIST	P	F	ZONE	LTR	DESCRIPTION	DATE	APPROVED
AJ	16	✓	✓		G	REDWN & REV PER AJ-2377	5-19-87	MS/DH
		✓	✓		H	REV PER AJ-3182	7-13-88	MS
					J	REV PER AJ-3649	2-9-89	CB



1. FOR USE WITH: RG-405/U, .086 SEMI-RIGID CABLE
2. SEE I.S. 6788
3. PTFE PER MIL-P-19468
4. BRASS PER MIL-C-50
5. STAINLESS STEEL PER ASTM-A-582
6. SILICONE RUBBER PER ZZ-R-765
7. BERYLLIUM COPPER PER QQ-C-530
8. BERYLLIUM COPPER, ALLOY #25
9. NICKEL PL PER QQ-N-290
10. PASSIVATION PER QQ-P-35
11. GOLD PL PER MIL-G-45204
12. M39012/79B3103
13. .500 MIN LENGTH OF STRAIGHT CABLE REQUIRED TO APPLY THE CONNECTOR



		227868-1	
		PART NO	
UNLESS OTHERWISE SPECIFIED DIMENSIONS ARE IN INCHES TOLERANCES ON:		AMP AMP INCORPORATED Harrisburg, Pa. 17105	
2 PL DEC ± _____ 3 PL DEC ± _____ ANGLES * _____		NAME	
DR M. SNEED 5-19-87 CHK D. HEIDE 5-19-87 APPD M. WALMSLEY 5-19-87		PLUG, MIL-B, SERIES SMA	
MATERIAL 3 THRU 8		SIZE	FSCM NO
FINISH 9 THRU 11		B	00779
APPD M. SNEED 5-19-87 PRODUCT SPEC 108-12055		DRAWING NO	227868-1
APPLICATION SPEC		SCALE	5:1
WEIGHT .093 OZ		SHEET	1 OF 1

单击下面可查看定价，库存，交付和生命周期等信息

[>>TE Connectivity\(泰科\)](#)