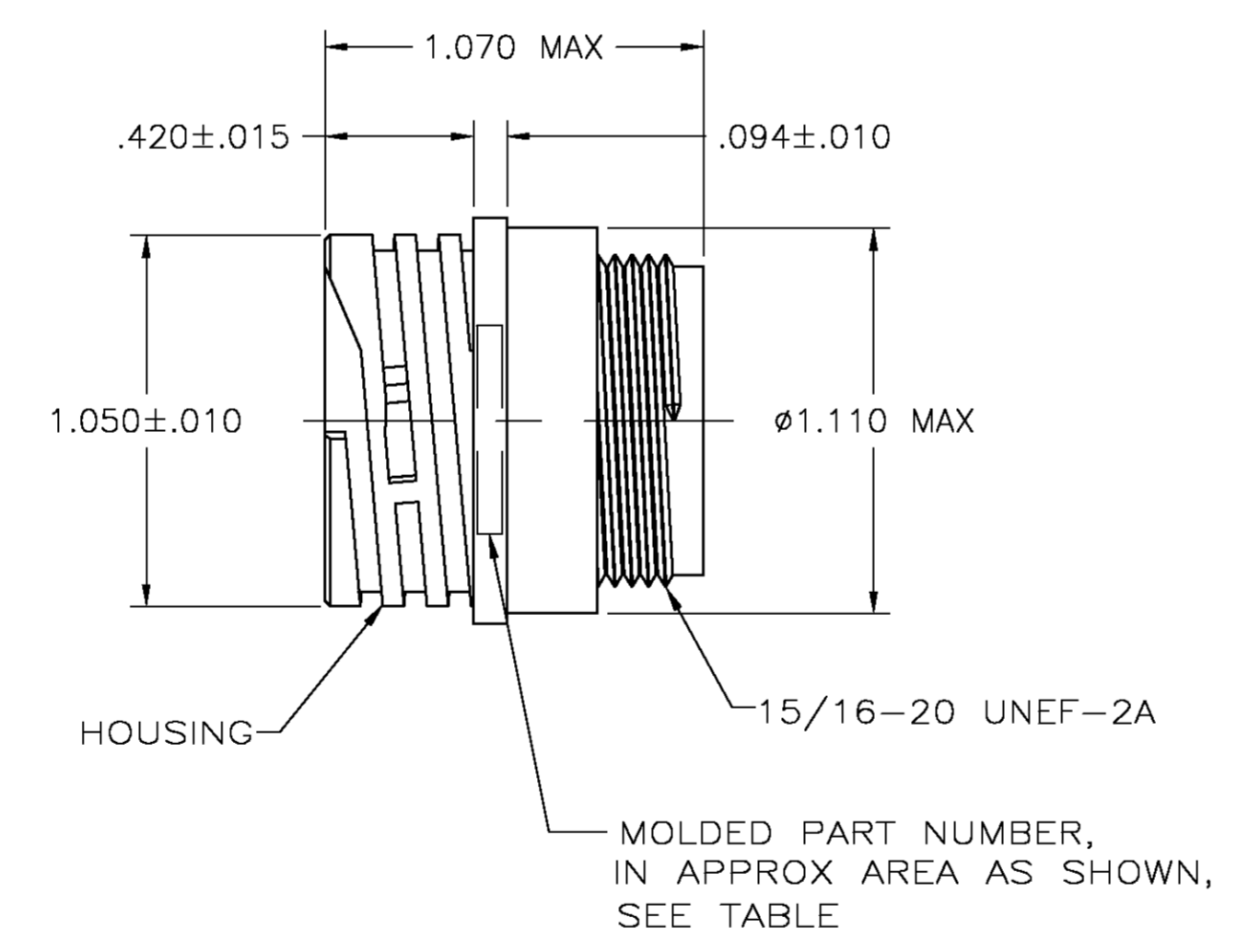
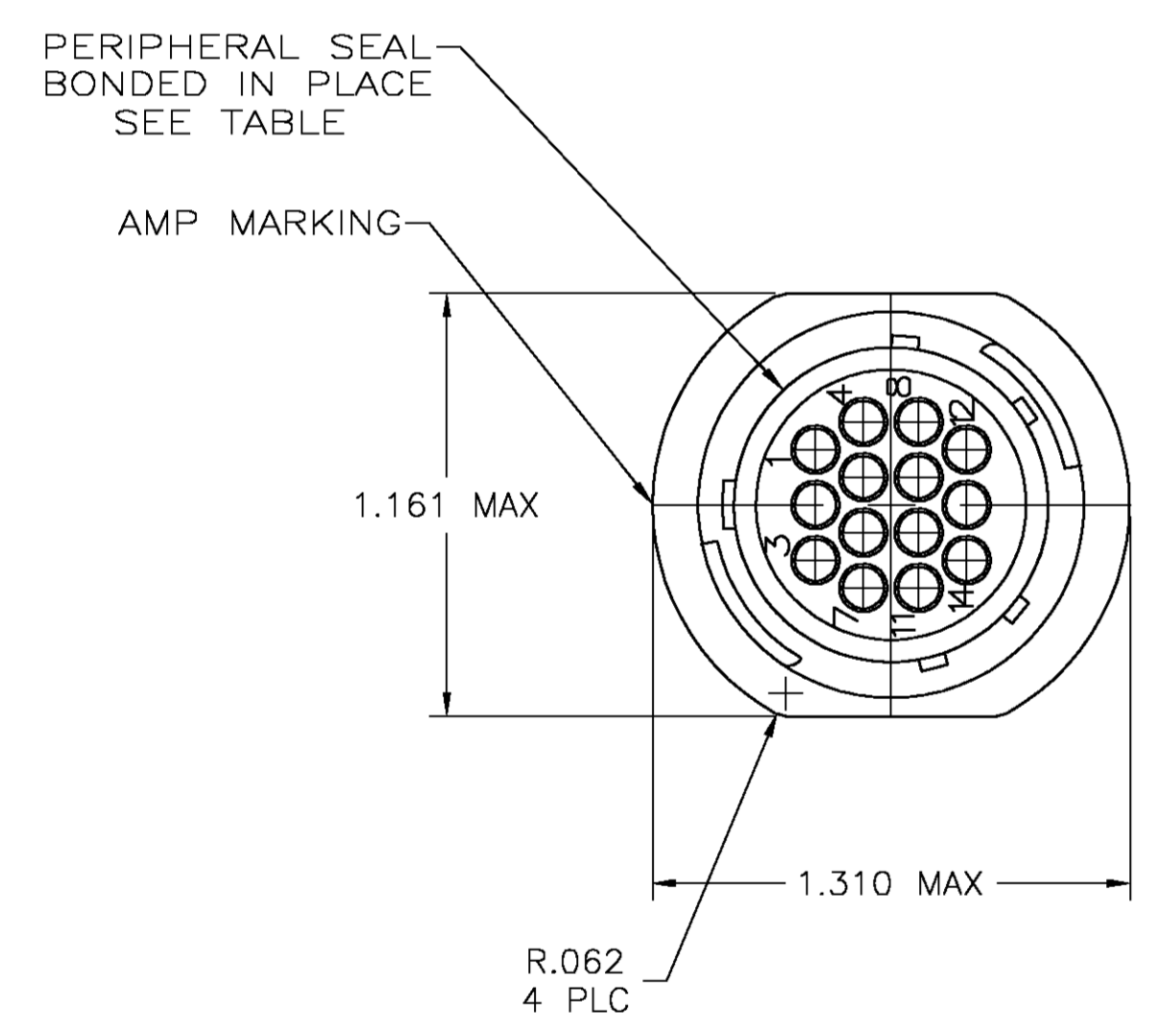


RECOMMENDED PANEL CUTOUT

DETAIL A



DETAIL B

NOTES:

1. CAVITY IDENTIFICATION ON FRONT AND REAR FACE.
 2. WILL ACCEPT FOURTEEN (14) MULTIMATE SOCKET CONTACTS.
- ⚠ PRELIMINARY PART NUMBER.

⚠ 4-40 THREADED INSERTS	-	STANDARD	YES	A	206043-8
Ø.150	-	SMALL PACK	NO	A	206043-6
-	-	STANDARD	YES	B	206043-5
Ø.150	-	STANDARD	YES	A	206043-4
-	-	STANDARD	NO	B	206043-3
Ø.150	206043-1	STANDARD	NO	A	206043-1
C	MOLDED PART NUMBER	PACKAGING	PERIPHERAL SEAL	SEE DETAIL	PART NO.

THIS DRAWING IS A CONTROLLED DOCUMENT.

DIMENSIONS: INCHES	TOLERANCES UNLESS OTHERWISE SPECIFIED:	DNV: W. LENKER 09/10/92	Tyco Electronics Corporation Harrisburg, PA 17105
0 PLC ± - 1 PLC ± - 2 PLC ± 0.13 [.005] 3 PLC ± - 4 PLC ± - ANGLES ± -	FINISH: - MATERIAL: HOUSING: NYLON BLACK	CHK: R. STONE 08/11/93 APVD: - PRODUCT SPEC: 108-10024 APPLICATION SPEC: -	
CUSTOMER DRAWING		SIZE: A1 CAGE CODE: 00779 DRAWING NO: 206043	RESTRICTED TO: - NAME: RECEPTACLE ASSEMBLY, REVERSE SEX, SERIES 1, 17-14, CPC

SCALE: 2:1 SHEET 1 OF 1 REV P

单击下面可查看定价，库存，交付和生命周期等信息

[>>TE Connectivity\(泰科\)](#)