

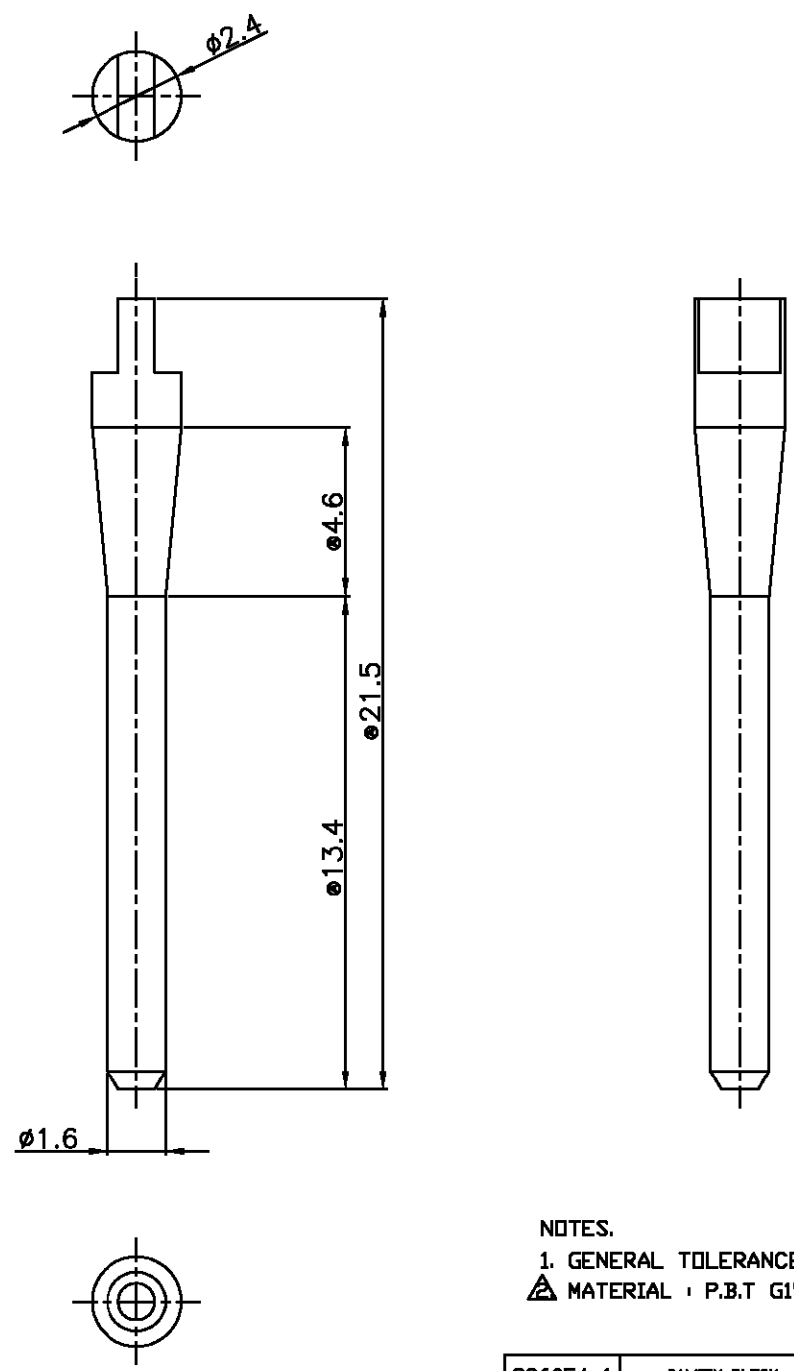
RELEASED FOR PUBLICATION

THIS DRAWING IS UNPUBLISHED.

ALL RIGHTS RESERVED.

© COPYRIGHT

LOC	DIST	REVISIONS					
DS		P	LTR	DESCRIPTION	DATE	DWN	APVD
		B1		REVISED PER ECO-11-005294	12APR11	RK	HMR



NOTES.  
 1. GENERAL TOLERANCE: ±0.3  
 ⚠ MATERIAL : P.B.T G15, COLOR : YELLOW

936054-1	CAVITY BLOCK	⚠	YELLOW
P/N	DESCRIPTION	MATERIAL	COLOR

DIMENSIONS: mm TOLERANCES UNLESS OTHERWISE SPECIFIED: 0 <XX<10 ± 0.2 10<XX<30 ± 0.25 30<XX ± 0.3 ANGLES ± 3°	DWN : MS HER	MATERIAL	SEE NOTE ⚠	FINISH
	CHK : BM JANG	TE Connectivity		
	APVD : CS LEE			
	PRODUCT SPEC	NAME	CAVITY PLUG FOR ECU 81P & 40P PLUG ASS'Y	
APPLICATION SPEC	SIZE	CAGE CODE	DRAWING NO	RESTRICTED TO
WEIGHT	⚠ 4	00779	Ⓒ = 936054	
3rd ANGLE PROJECTION	SCALE		5/1	SHEET 1 OF 1
				REV B1

单击下面可查看定价，库存，交付和生命周期等信息

[>>TE Connectivity\(泰科\)](#)