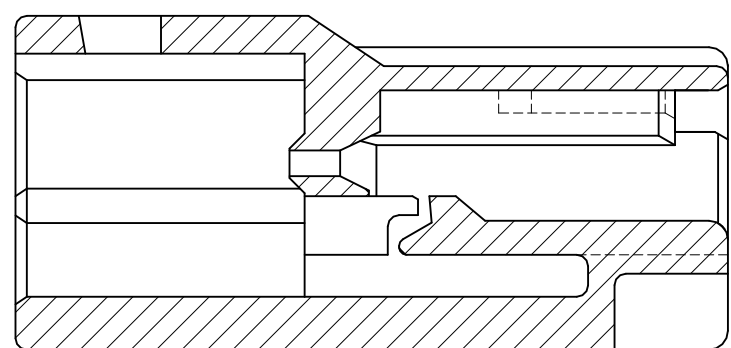
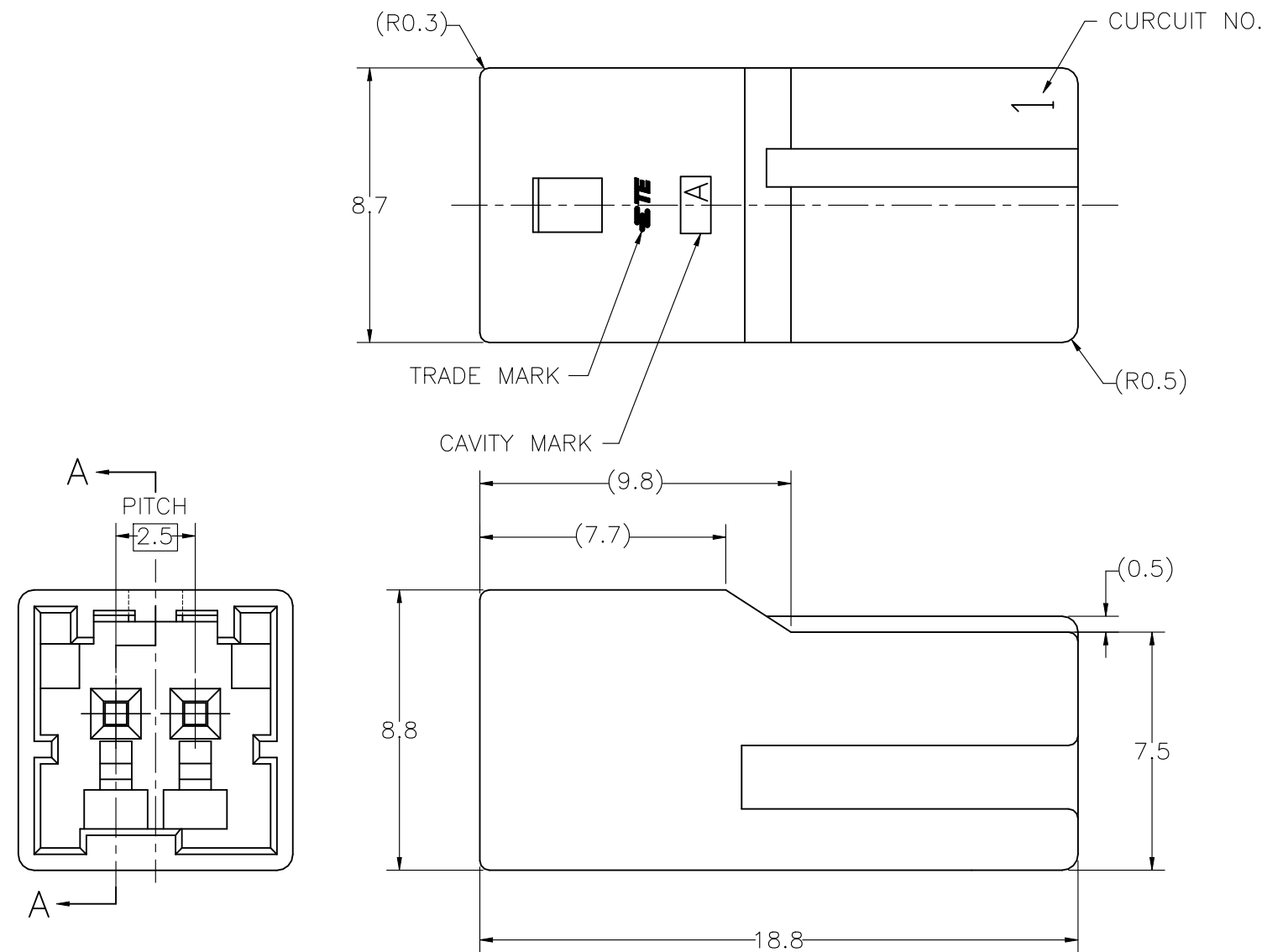
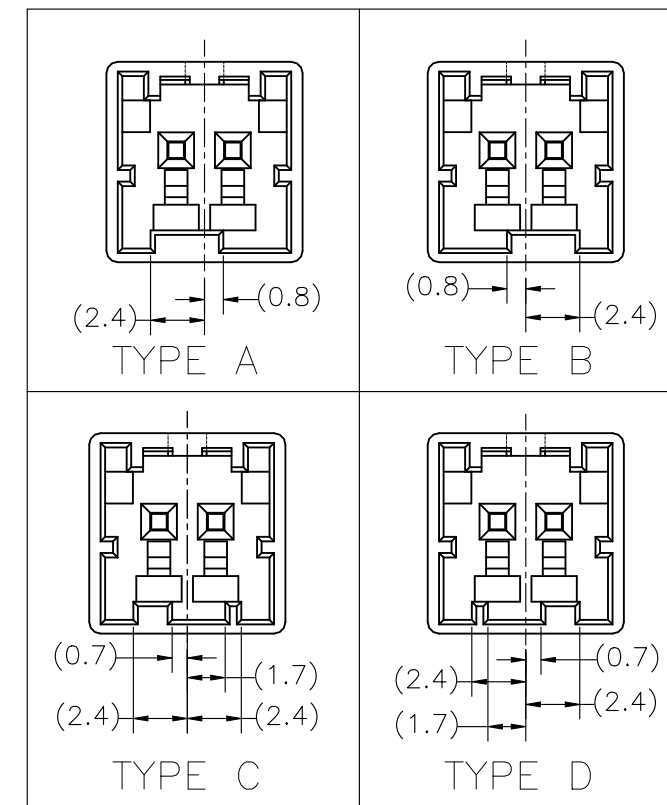


THIS DRAWING IS UNPUBLISHED. RELEASED FOR PUBLICATION
 © COPYRIGHT BY TYCO ELECTRONICS CORPORATION. ALL RIGHTS RESERVED.

LOC	DIST	REVISIONS					
J	—	P	LTR	DESCRIPTION	DATE	DWN	APVD
		C		REVISED PER ECR-21-112782	16SEP2021	PJ	DZ

TYPE OF KEYING



断面 A-A
SECT A-A

注記
 1. 一般公差: ±0.3
 △ 材料PBTガラス強化(UL94V-0)
 △ かん合相手製品型番
 プラグハウジング: TABLE参照のこと
 タブコンタクト: 917764, 917765

NOTE
 1. GENERAL TOLERANCE: ±0.3
 △ MATERIAL: PBT GLASS FILLED (UL94V-0)
 △ MATING CONN. P/N
 PLUG HOUSING: SEE TABLE
 TAB CONTACT: 917764, 917765

4-1903388-2	TYPE B	BLACK 黒色	4-1903391-2
3-1903388-4	TYPE D	YELLOW 黄色	3-1903391-4
2-1903388-3	TYPE C	BLUE 青色	2-1903391-3
1-1903388-2	TYPE B	RED 赤色	1-1903391-2
1903388-1	TYPE A	NATURAL 自然色	1903391-1
△ かん合相手型番 MATING HSG P/N	キーイング形状 TYPE OF KEYING	色調 COLOR	型番 PART NUMBER

THIS DRAWING IS A CONTROLLED DOCUMENT.		DWN J.SATO 31OCT05	Tyco Electronics AMP K.K. Kawasaki, Japan	
DIMENSIONS: 単位: 耗 mm		CHK T.HATANO 31OCT05	NAME N.YAMASAKI 31OCT05	
TOLERANCES UNLESS OTHERWISE SPECIFIED: 一般公差		PRODUCT SPEC 製品規格 108-78350		
0 PLC ± 1 PLC ± 2 PLC ± 3 PLC ± 4 PLC ± ANGLES ±		APPLICATION SPEC 取付適用規格		
MATERIAL 材料 SEE NOTE △		WEIGHT		
		SIZE A3	CAGE CODE 00779	DRAWING NO 番号 C-1903391
		CUSTOMER DRAWING		RESTRICTED TO —
		SCALE 尺度 5:1	SHEET 1 OF 1	REV C

单击下面可查看定价，库存，交付和生命周期等信息

[>>TE Connectivity\(泰科\)](#)