

4

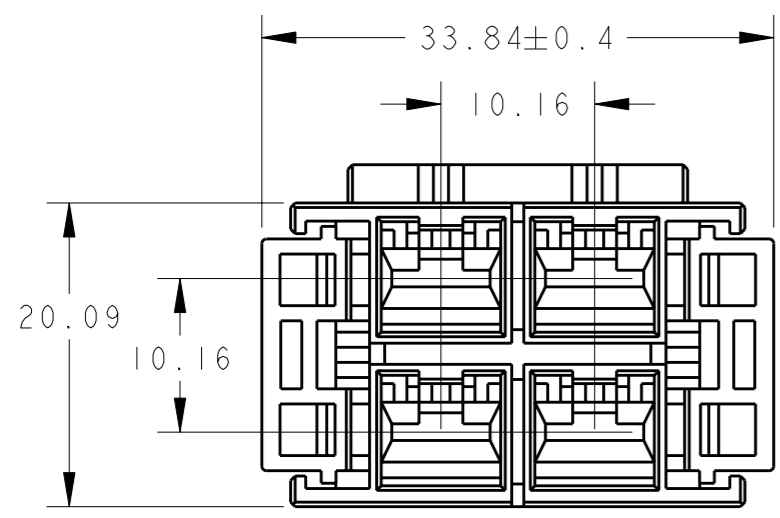
3

2

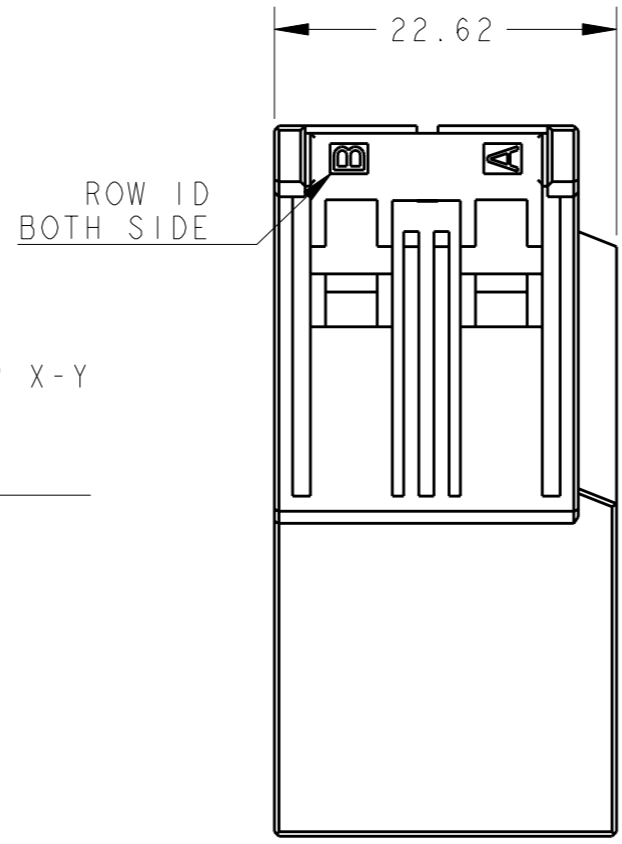
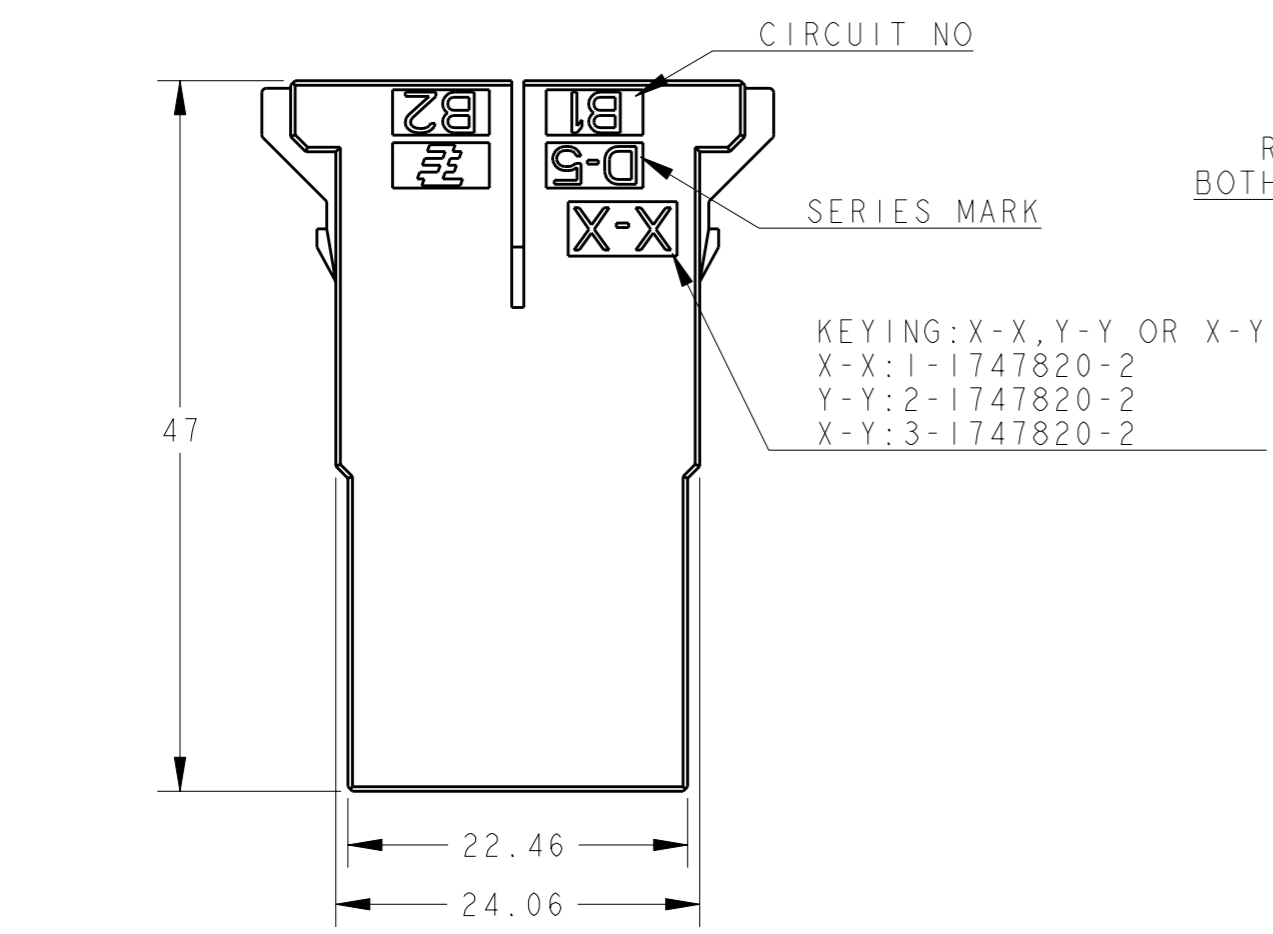
1

THIS DRAWING IS UNPUBLISHED. RELEASED FOR PUBLICATION 20
 © COPYRIGHT 20 BY TYCO ELECTRONICS CORPORATION. ALL RIGHTS RESERVED.

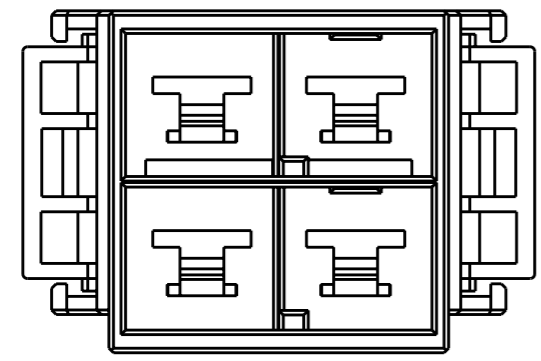
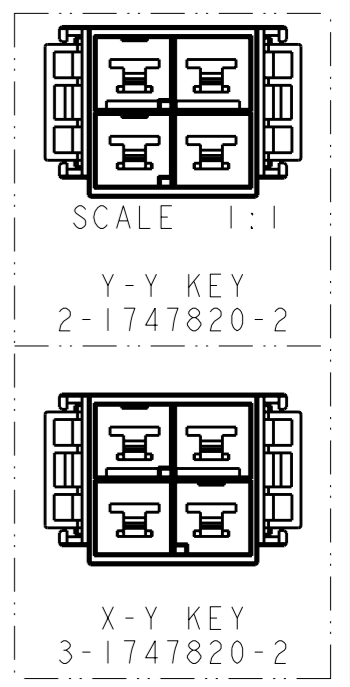
LOC	DIST	REVISIONS					
		P	LTR	DESCRIPTION	DATE	DWN	APVD
J	-	C		REVISED PER ECR-10-017116	24AUG2010	HMR	TM



AS SHOWN: 1-1747820-2
 4POS: X-X KEY



I. 材料: ガラス入り熱可塑性ポリエステル樹脂 (94V-0)
 色: 黒
 I. MATERIAL: GLASS FILLED THERMO PLASTIC
 POLYESTER (94V-0)
 COLOR: BLACK



KEY LOCATION VIEW

THIS DRAWING IS A CONTROLLED DOCUMENT FOR TYCO ELECTRONICS CORPORATION IT IS SUBJECT TO CHANGE AND THE CONTROLLING ENGINEERING ORGANIZATION SHOULD BE CONTACTED FOR THE LATEST REVISION.		DWN M. MAEBASHI 23MAR2007 CHK T. KUDO 23MAR2007 APVD D. MITSUGI 23MAR2007		Tyco Electronics AMP K.K. Kawasaki, Japan	
DIMENSIONS: 単位: 耗 mm		TOLERANCES UNLESS OTHERWISE SPECIFIED: 一般公差 ±0.3, ±3° 0-PLC ± 1-PLC ±0.3 2-PLC ±0.10 3-PLC ±0.001 4-PLC ±0.0001 ANGLES ±		NAME 名称 DYNAMIC D5300D 10.16mmPITCH TAB HSG (REVERSE MOUNT TYPE) 4POS	
MATERIAL 材料 -		FINISH 仕上 -		PRODUCT SPEC 108-5453 APPLICATION SPEC 114-5206 WEIGHT -	
		CUSTOMER DRAWING		SIZE A3 CAGE CODE 00779 DRAWING NO. 1747820 RESTRICTED TO -	
		SCALE 2:1		SHEET 1 OF 1 REV C	

单击下面可查看定价，库存，交付和生命周期等信息

[>>TE Connectivity\(泰科\)](#)