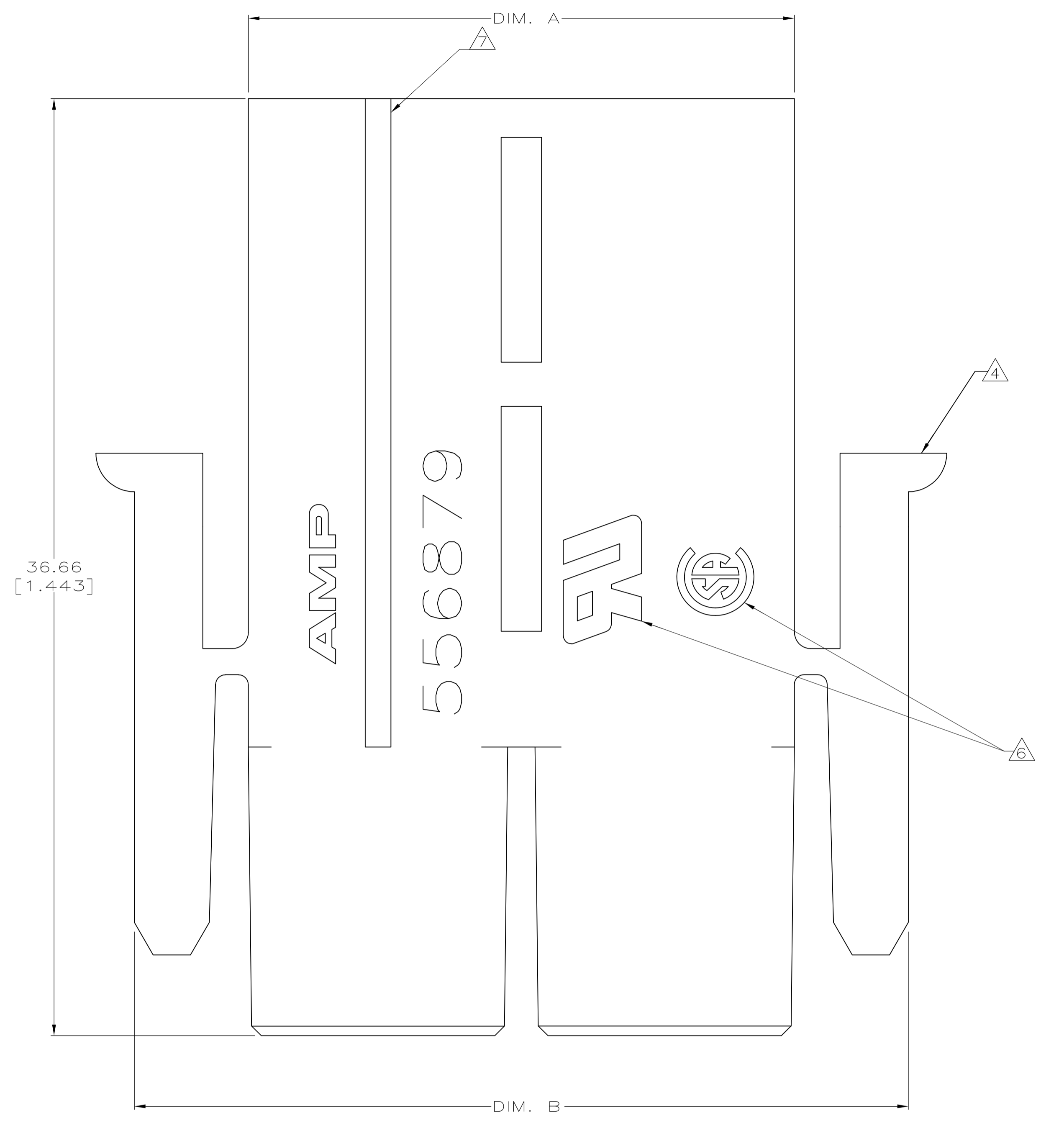
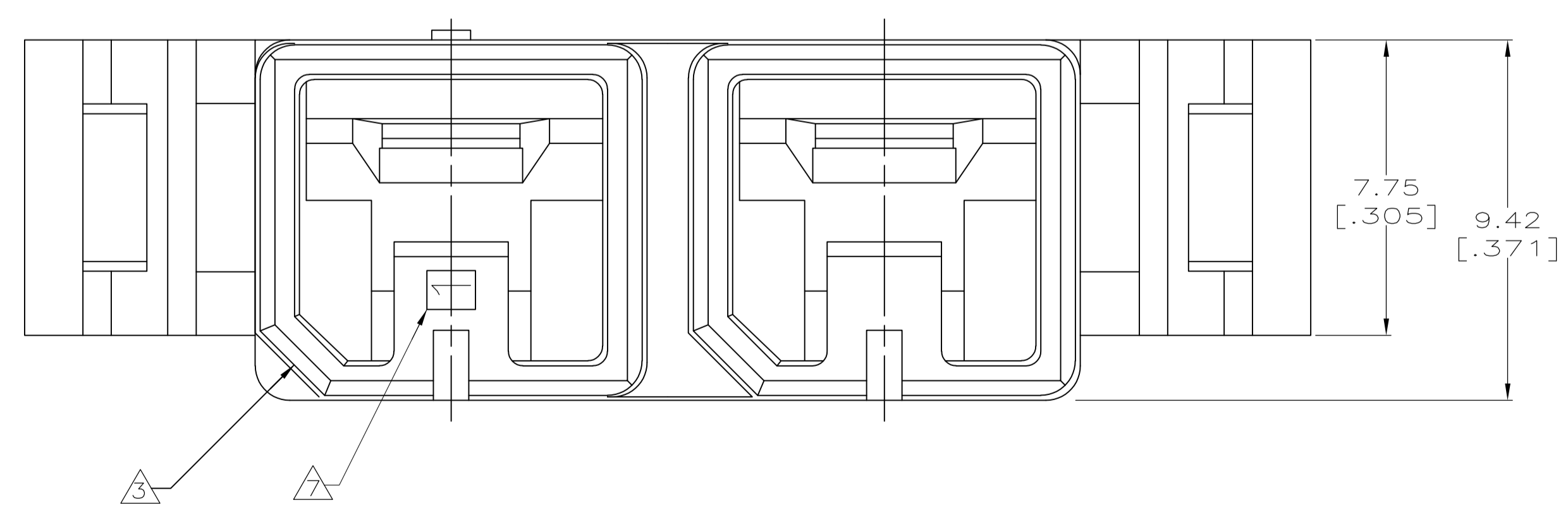


LOC	DIST	REVISIONS			
FT	60	REV	DESCRIPTION	DATE	BY
		C1	REVISED PER ECO-11-004587	11MAR11	RK HMR



- 1 MATERIAL: POLYCARBONATE, BLACK, 94V-0.
- 2 ALL DIMENSIONS ARE MAXIMUM UNLESS OTHERWISE SPECIFIED.
- 3 POLARIZATION FEATURE TO MATING HOUSING.
- 4 POSITIVE LATCHING OF PLUG HOUSING TO RECEPTACLE HOUSING ASSEMBLY.
- 5. POSITION 1 IS DESIGNED FOR MAKE-FIRST/BREAK-LAST GROUND WHERE NEEDED.
- 6 THESE HOUSINGS ARE UL RECOGNIZED AND CSA CERTIFIED.
- INDICATES POSITION 1.



POSITION	DIM. B	DIM. A	PART NO
8	97.36 [3.833]	88.47 [3.483]	556879-8
7	86.19 [3.393]	77.30 [3.043]	-7
6	75.01 [2.953]	66.12 [2.603]	-6
5	63.83 [2.513]	54.94 [2.163]	-5
4	52.66 [2.073]	43.77 [1.723]	-4
3	41.48 [1.633]	32.59 [1.283]	-3
2	30.31 [1.193]	21.42 [.843]	556879-2

THIS DRAWING IS A CONTROLLED DOCUMENT.

DIMENSIONS: mm [INCHES]	TOLERANCES UNLESS OTHERWISE SPECIFIED:	DIN 5-30-91	TE Connectivity
0. PLC ± .01	1. PLC ± .01	8-23-91	STRAUSSER
2. PLC ± .01	3. PLC ± .01	8-26-91	FOX
4. PLC ± .01	ANGLES ± .1		MILLER
MATERIAL: POLYCARBONATE, BLACK, 94V-0	FINISH: -	APPROVED: M. MILLER	NAME: M. MILLER
		PRODUCT SPEC: 108-1349	HOUSING, PLUG, WTB, AMPINNERGY™
		APPLICATION SPEC: 114-6044	SIZE: A1
		WEIGHT: -	CAGE CODE: 00779
		CUSTOMER DRAWING	DRAWING NO: 556879
		SCALE: 8:1	RESTRICTED TO: -
		SHEET: 1 OF 1	REV: C1

单击下面可查看定价，库存，交付和生命周期等信息

[>>TE Connectivity\(泰科\)](#)