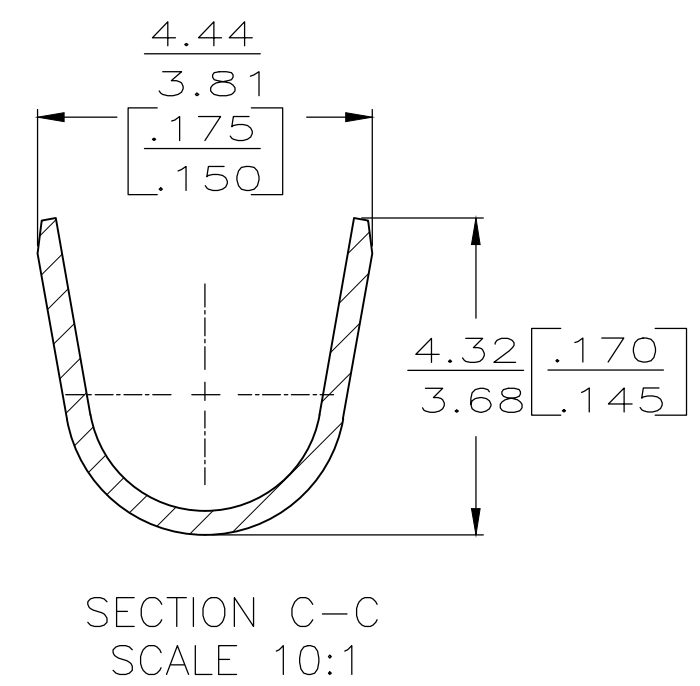
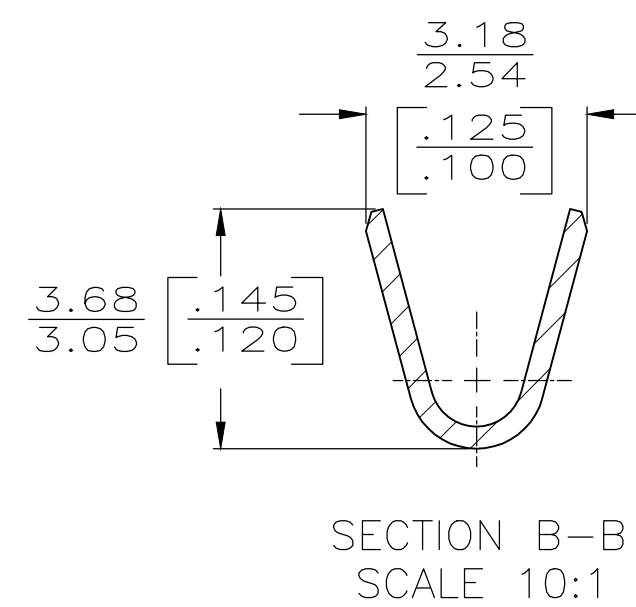
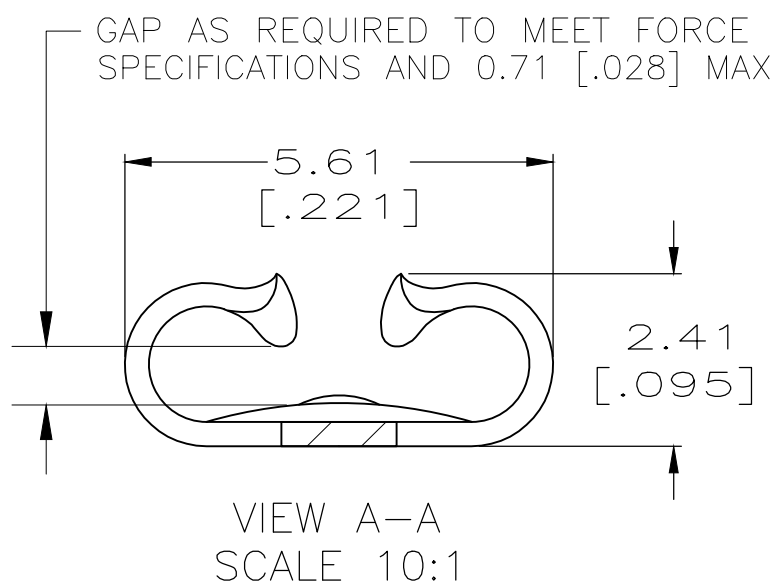
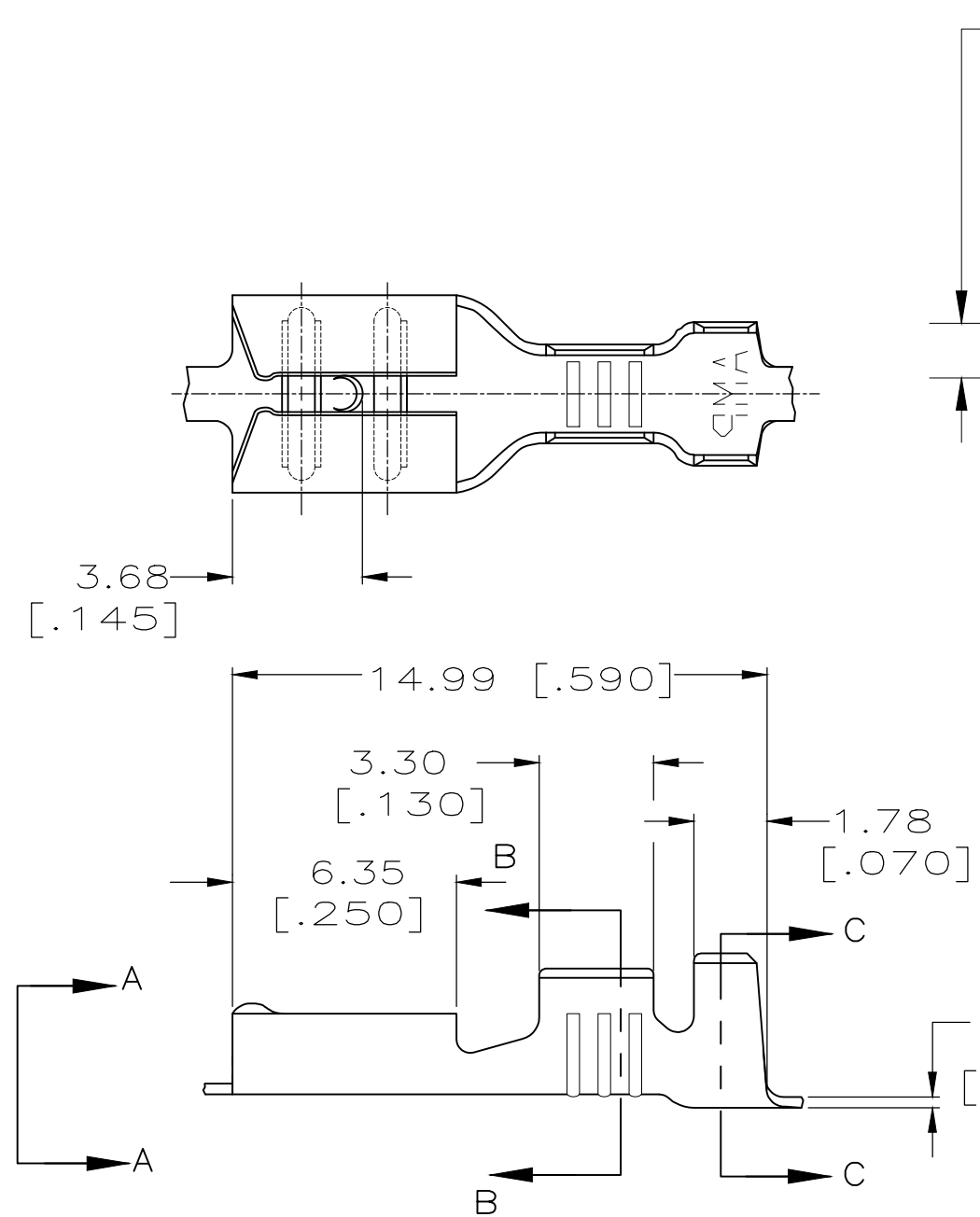


THIS DRAWING IS UNPUBLISHED. RELEASED FOR PUBLICATION
 © COPYRIGHT - By - ALL RIGHTS RESERVED.

LOC	DIST	REVISIONS			
P	LTR	DESCRIPTION	DATE	DWN	APVD
AF	50				
	S2	REVISED PER ECR-15-010442	14JULY2015	PK	TD
	S3	REVISED PER ECR-20-009164	15JULY2020	MK	DH



- CONTINUOUS STRIP ON REELS.
- MATING TAB THK IS 0.84-0.76 [.033-.030].
- WIRE SIZE IS [20-16] AWG.
- INSULATION RANGE IS 2.29-3.30 [.090-.130] DIA.
- 60196-8 REFERS TO 60196-1 WITH PAPER INTERLAYER

-	-	60196-8 ⁵
60196-3	TIN	60196-2
-	-	60196-1
LOOSE PIECE	FINISH	PART NO

THIS DRAWING IS A CONTROLLED DOCUMENT.		DWN	JR RUTH	8/27/91	STE TE Connectivity		
DIMENSIONS: INCHES		CHK	P FORTNEY	8/27/91			
TOLERANCES UNLESS OTHERWISE SPECIFIED:		APVD	C MEYERS	8/27/91	NAME		
0 PLC	± -	PRODUCT SPEC		RECEPTACLE, FASTON, 4.75 [.187] SERIES			
1 PLC	± -	APPLICATION SPEC		SIZE	CAGE CODE	DRAWING NO	RESTRICTED TO
2 PLC	± 0.38 [.015]	MATERIAL		A300779		C-60196	-
3 PLC	± -	FINISH		CUSTOMER DRAWING			SCALE
4 PLC	± -	SEE TABLE		SCALE			5:1
ANGLES	± -	MATERIAL		SHEET			1 OF 1
		MATERIAL		REV			S3

单击下面可查看定价，库存，交付和生命周期等信息

[>>TE Connectivity\(泰科\)](#)