

REV	DATE	DESCRIPTION	BY	APP'D
1	08/04	CONVERTED RADIALL DWG TO TYCO ACAD DWG	RF	JM
2	03APR10	REVISED	RF	JM

1 SHELL: ALUMINUM ALLOY 6061 T651
 INSERT RETENTION CLIP & JACKSCREW SLEEVE: COPPER ALLOY PER ASTM B194
 JACKSCREW KEY, CENTER LOCK, & RETAINING NUT: STAINLESS STEEL PER AISI 316
 PROTECTIVE COVER: THERMOPLASTIC ELASTOMER

2 SHELL: ELECTROLESS NICKEL PER SAE AMS-C-26074, CLASS 1.

3 DATE CODE - YEAR & WEEK (YY WW)

4 INDEXING POINT FOR POLARIZATION.

5 SHELL CAVITY FOR GPRB SERIES INSERTS WITH KEYING CODE A.

6 SHELL CAVITY FOR GPRB SERIES INSERTS WITH KEYING CODE B.

7 PROTECTIVE COVERS NOT SHOWN FOR CLARITY.

8 SCREW HEAD DIAMETER: 6.00 [.236] MAX.

9 THE JACKSCREW AND RETAINING NUT ARE SHIPPED UNASSEMBLED.
 THE CUSTOMER SHALL APPLY LOCTITE® PRODUCT 272 THREADLOCKING ADHESIVE
 WHEN INSTALLING THESE ON THE SHELL ASSEMBLY. LOCTITE® IS A
 REGISTERED TRADEMARK OF LOCTITE CORPORATION.

10 A SPANNER WRENCH TOOL, TYCO ELECTRONICS P/N 1738220-1
 (WITH 1/4-in ADAPTER) OR 1738221-1 (WITH T-HANDLE), IS USED
 TO LOCK THE RETAINING NUT.
 RECOMMENDED LOCKING TORQUE: 1.5 N-m [13 in-lb].

11. PITCH FOR SIDE-BY-SIDE MOUNTING: 19.50 [.768] MIN.

12. DESCRIPTIVE PART NUMBER: GPRB2PD13N
 SERIES: GPRB

SHELL SIZE: 2 (TWO-CAVITY SHELL)

SHELL STYLE: P (PLUG)

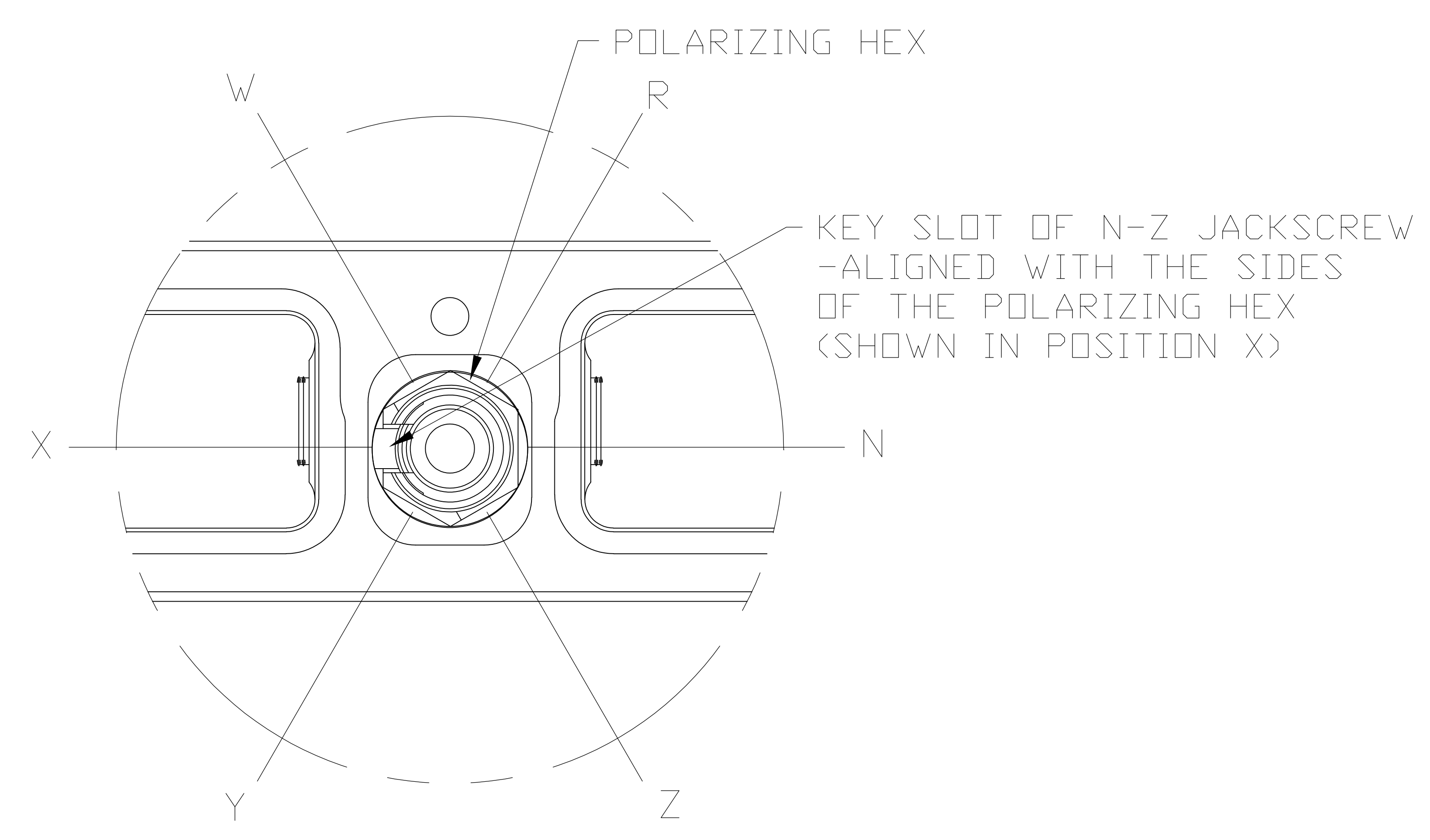
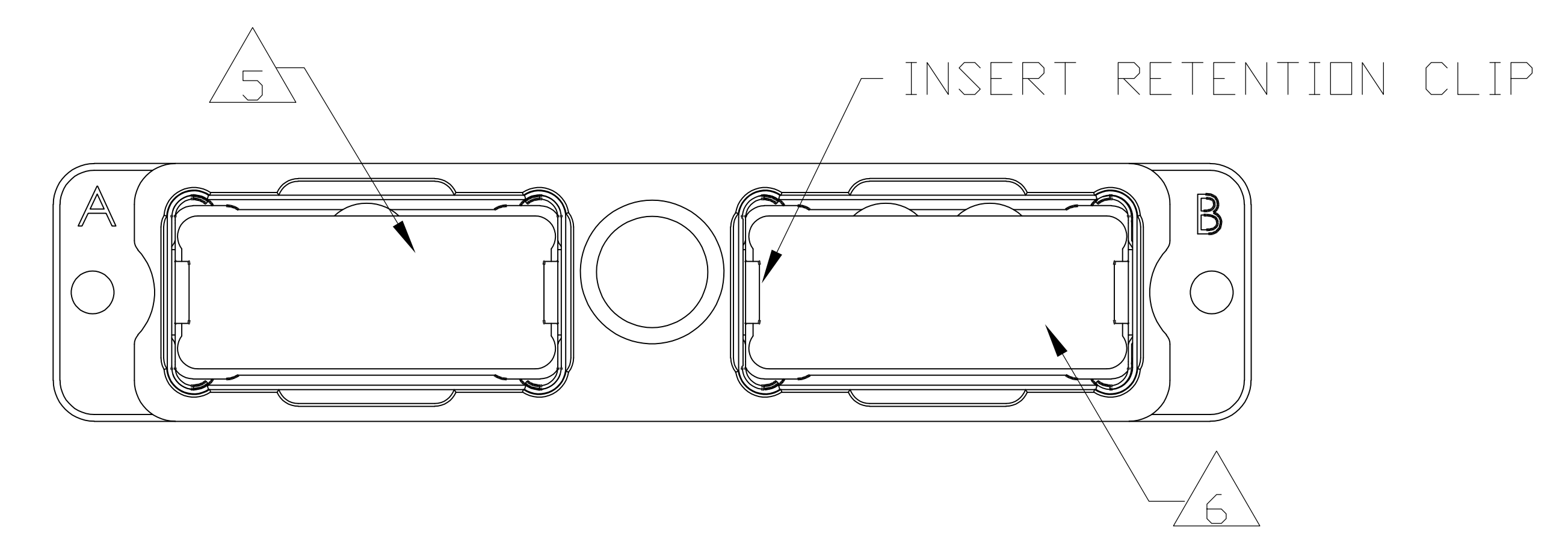
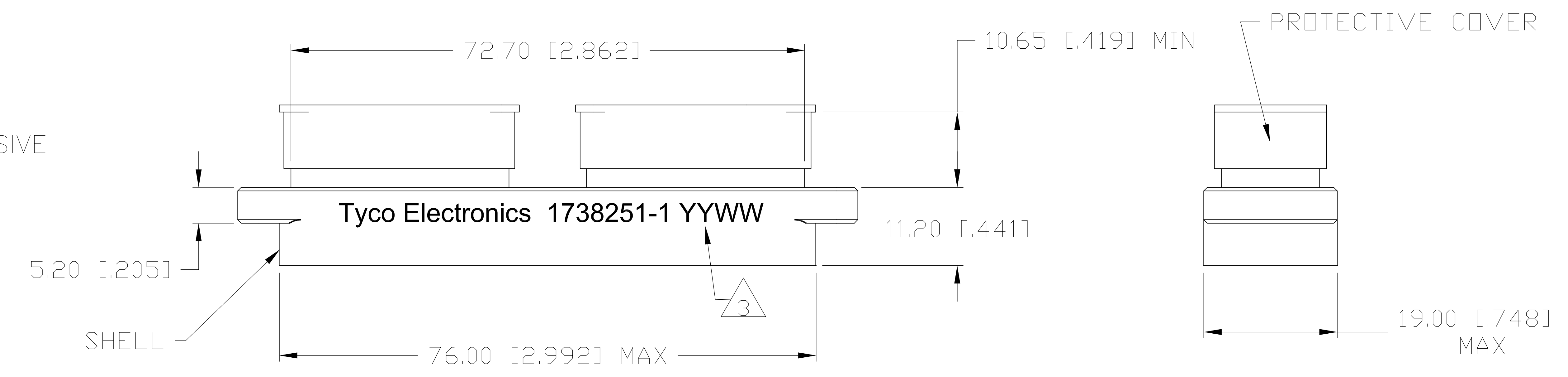
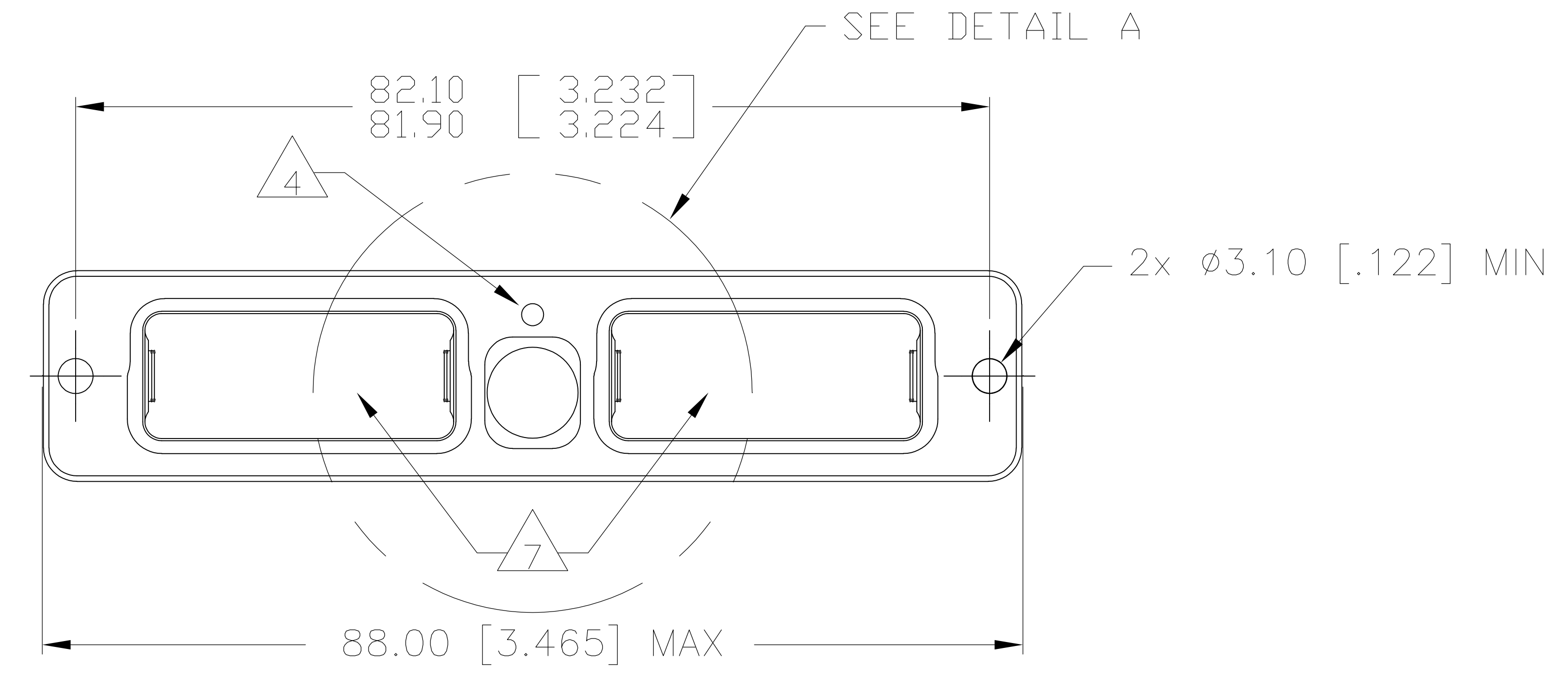
MODIFICATION CODE: D (2x ø3.10mm THRU HOLES - FOR PANEL MOUNTING)

LOCKING AND POLARIZING DEVICE: 1 (JACKSCREW)

POLARIZATION CODE: 3 (N-Z JACKSCREW HARDWARE SHIPPED UNASSEMBLED)

SHELL PLATING: N (NICKEL PLATING)

13. THIS PRODUCT IS SOLD BY TYCO ELECTRONICS UNDER A LICENSE FROM RADIALL SA.

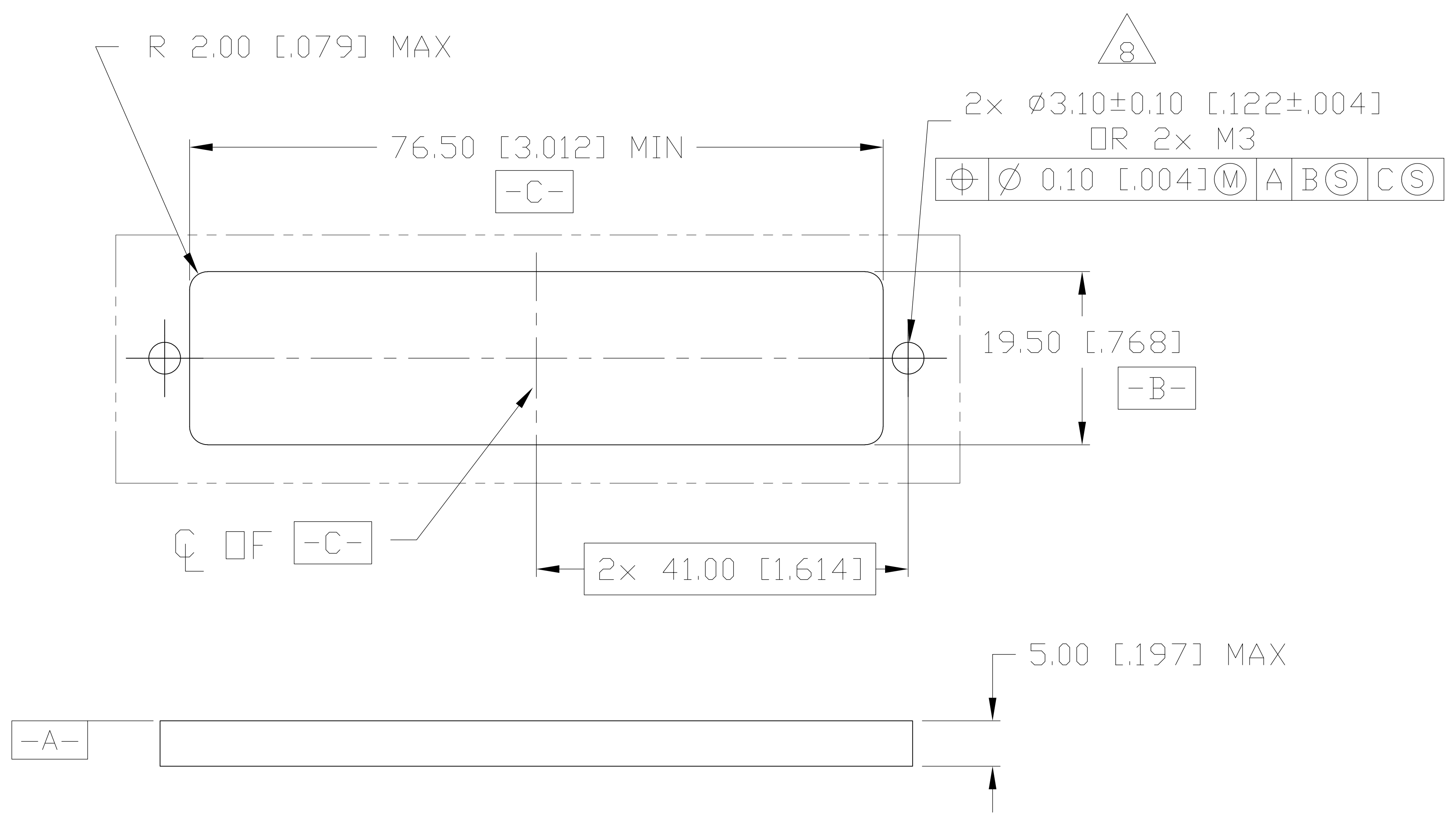


DETAIL A - JACKSCREW KIT ASSEMBLED

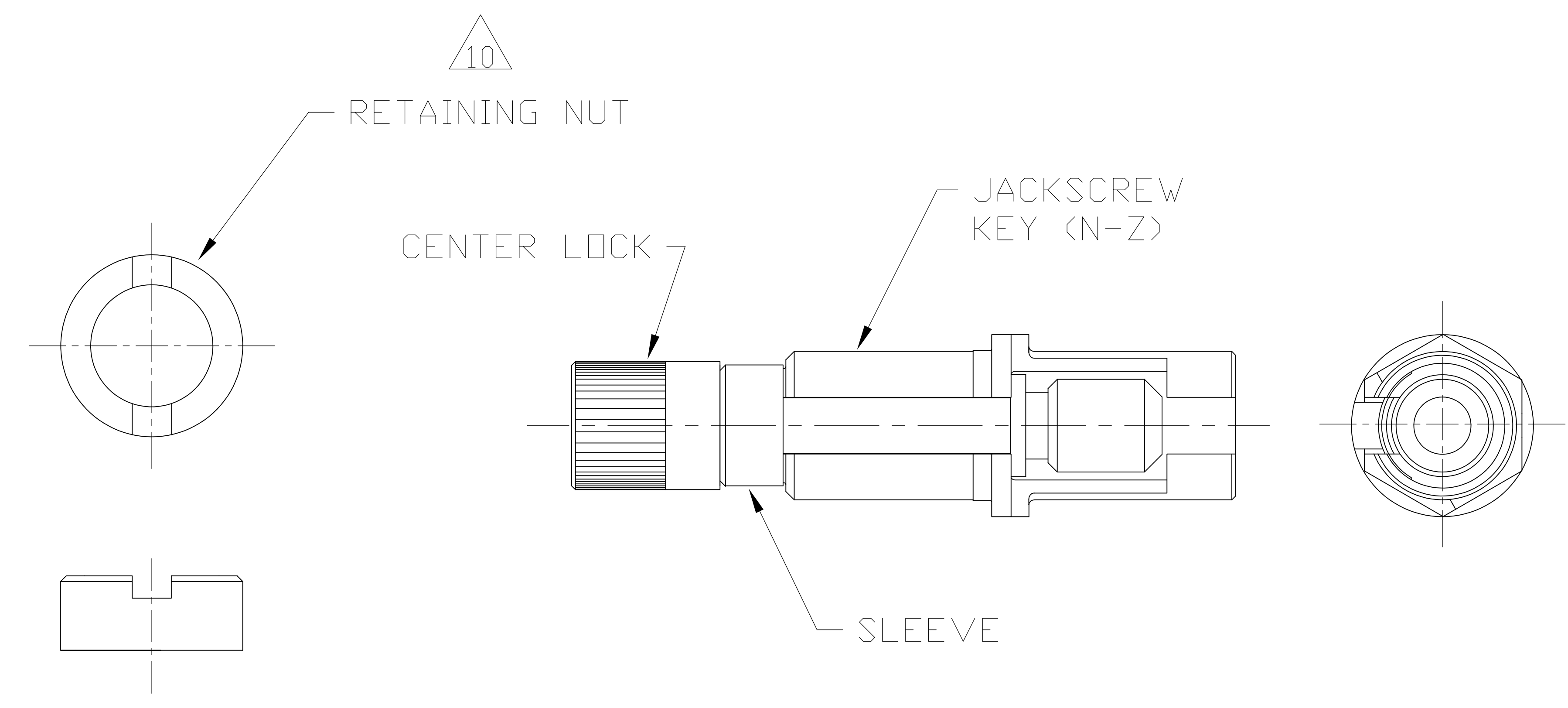
THIS PRINT IS
PRELIMINARY
 UNQUALIFIED PRODUCT
 CONTACT PRODUCT ENGINEERING
 BEFORE USING THIS PRINT

1738251-1
 PART NUMBER

THIS DRAWING IS A CONTROLLED DOCUMENT.		DATE	BY	APP'D	Tyco Electronics Corporation Harrisburg, Pa 17105-3608	
DIMENSIONS: mm (INCHES)		DESIGNED BY	APPROVED BY	DATE	PLUG SHELL KIT, WITH TWO 3.10mm DIA MOUNTING HOLES, WITH N-Z JACKSCREW, GPRB2	
TOLERANCE UNLESS OTHERWISE SPECIFIED:		DATE	DATE	DATE	SIZE DATE CODE DRAWING NO	
Ø	± .005	DATE	DATE	DATE	A0 00779 1738251	
Ø	± .008	DATE	DATE	DATE	SCALE 1:1 SHEET 1 OF 2 REV 2	
Ø	± .010	DATE	DATE	DATE	CUSTOMER DRAWING	





RECOMMENDED PANEL CUTOUT



JACKSCREW KIT 

THIS PRINT IS
PRELIMINARY
UNQUALIFIED PRODUCT
CONTACT PRODUCT ENGINEERING
BEFORE USING THIS PRINT

1738251-1
PART NUMBER

THIS DRAWING IS A CONTROLLED DOCUMENT.		DATE	BY	APPROVED	 Tyco Electronics Corporation Harrisburg, Pa 17105-3608
DIMENSIONS: mm (INCHES)		01/11/00	J. MOSIER	J. MOSIER	
TOLERANCES UNLESS OTHERWISE SPECIFIED:		PRODUCT SPEC: PLUG SHELL KIT, WITH TWO 3.10mm DIA MOUNTING HOLES, WITH N-Z JACKSCREW, GPRB2 APPLICATION SPEC: - WEIGHT: - FINISH: -			
MATERIAL: 		SIZE	SCALE	DRAWING NO	RESTRICTED TO
CUSTOMER DRAWING		A0	1:1	00779-1738251	REV 2

单击下面可查看定价，库存，交付和生命周期等信息

[>>TE Connectivity\(泰科\)](#)