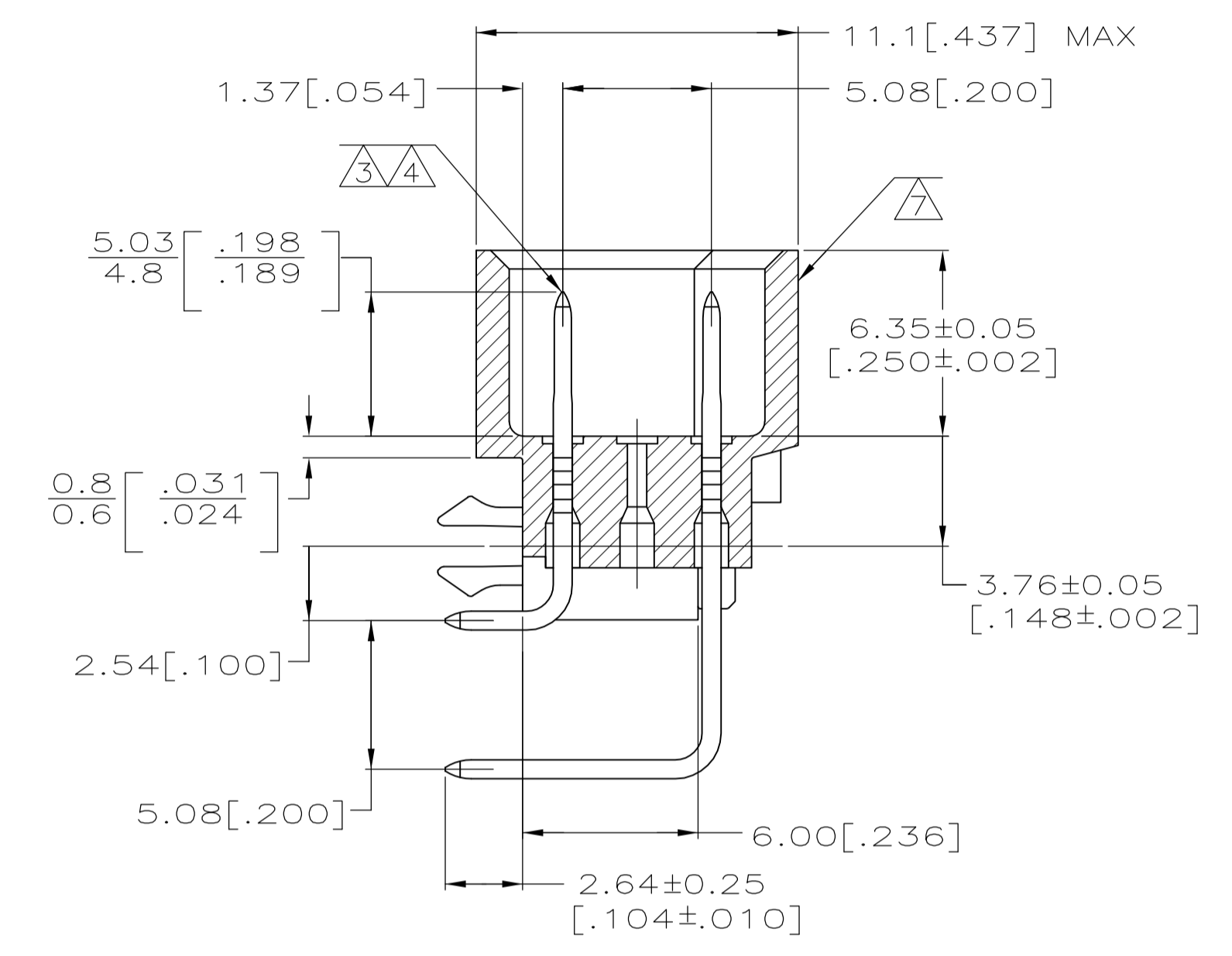
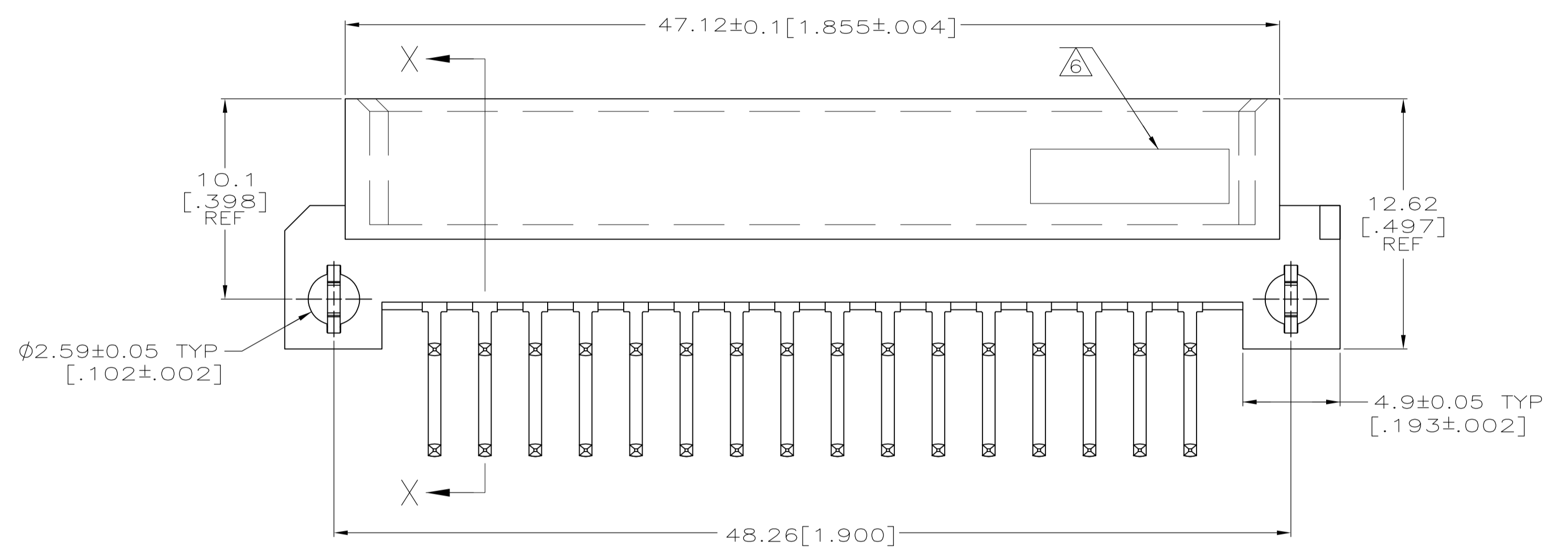
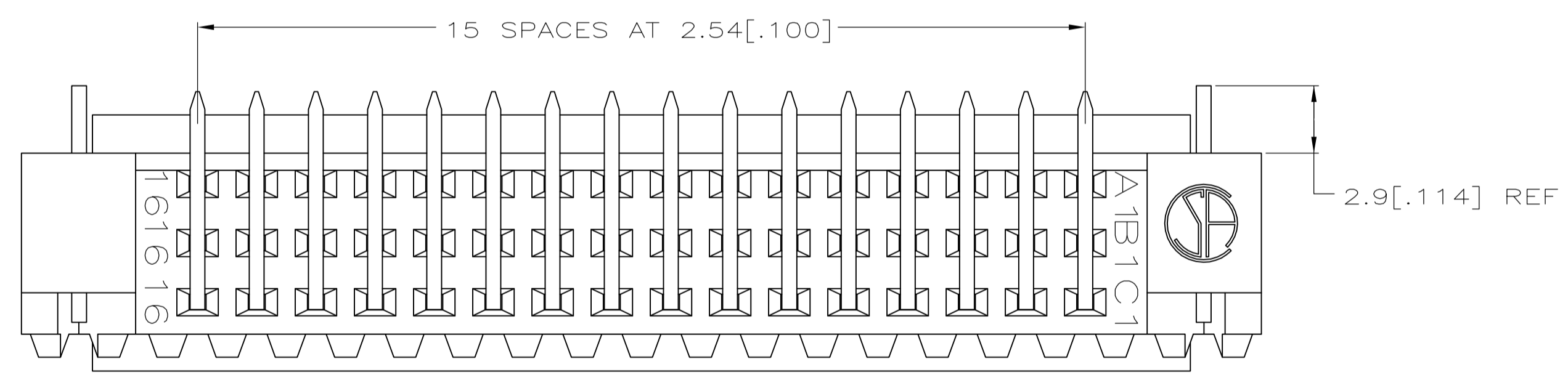


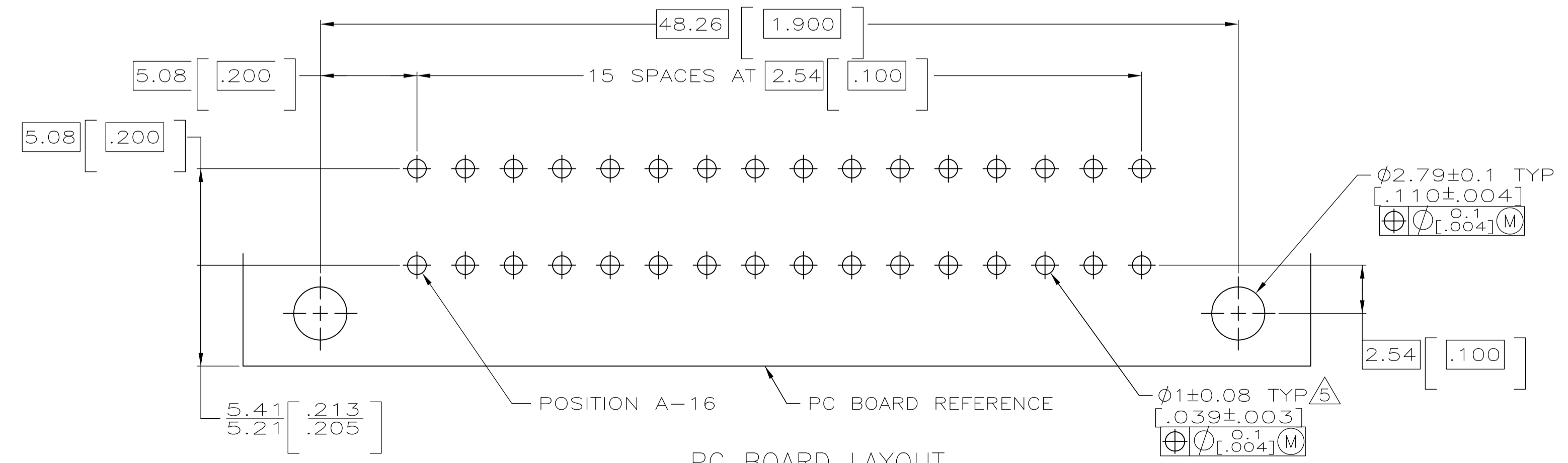
- 1 HOUSING MATERIAL: GLASS-FILLED POLYESTER. COLOR: GRAY.
- 2 POST MATERIAL: BRASS.
- 3 POST FINISH: DIN 41612 CLASS 3 IN CONTACT AREA. TIN-LEAD PLATE ON POSTS.
- 4 POST FINISH: DIN 41612 CLASS 2 IN CONTACT AREA. TIN-LEAD PLATE ON POSTS.
- 5 RECOMMENDED HOLE SIZE FOR MANUAL APPLICATION OF CONNECTOR ONTO PC BOARD.
- 6 PART NUMBER, DATE CODE MARKED THIS APPROXIMATE AREA.
- MARKING ON THIS SIDE.



SECTION X-X



REFERENCE FAMILY DRAWING 650473 FOR ALL TYPE C HEADER OFFERINGS



PC BOARD LAYOUT
RECOMMENDED PC BOARD THICKNESS 1.57 [.062]

OBSOLETE	3	1-16	X	-	X	32	650978-9
	4	1-16	X	-	X	32	650978-5
NOTES	POSITIONS LOADED	C	B	A	NO. OF LOADED POSITION	ASSY PART NUMBER	

THIS DRAWING IS A CONTROLLED DOCUMENT.

DIMENSIONS: INCHES	TOLERANCES UNLESS OTHERWISE SPECIFIED:	DIN L. BRINER 5/21/91	STE TE Connectivity
0 PLC ± -	1 PLC ± -	CHK: D.C. RUBENDALL 5/22/91	NAME: D.C. RUBENDALL
2 PLC ± 0.13 [.005]	3 PLC ± -	APVD: D.C. RUBENDALL 5/22/91	PRODUCT SPEC: -
4 PLC ± -	ANGLES ± -	APPLICATION SPEC: -	SIZE: A1
MATERIAL HOUSING: 1	FINISH: 3, 4	WEIGHT: -	CAGE CODE: 650978
POST: 3, 4		CUSTOMER DRAWING	SCALE: 5:1 SHEET: 1 OF 1 REV: H

单击下面可查看定价，库存，交付和生命周期等信息

[>>TE Connectivity\(泰科\)](#)