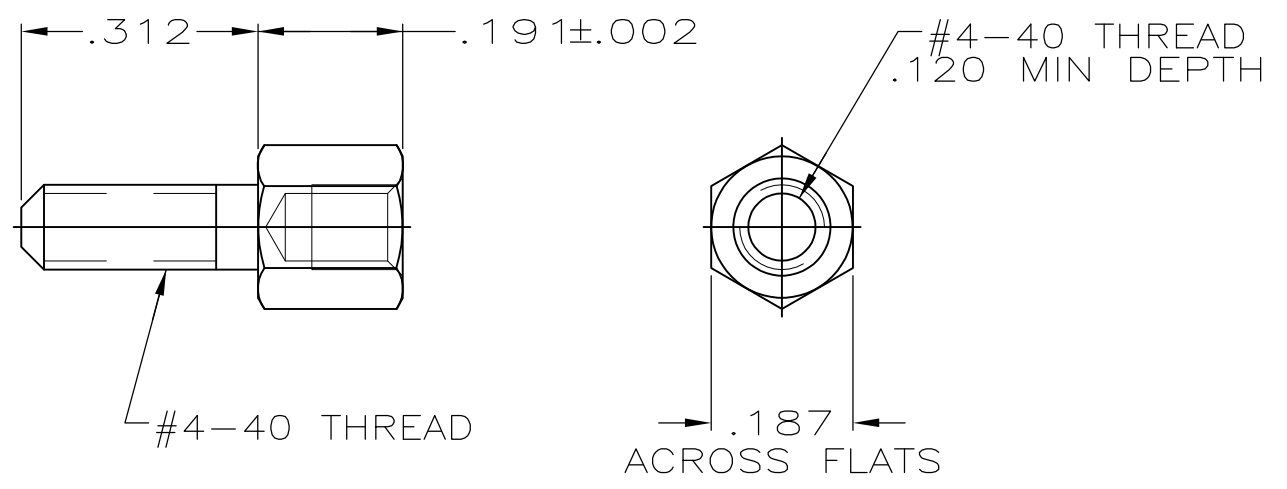


THIS DRAWING IS UNPUBLISHED. RELEASED FOR PUBLICATION
 © COPYRIGHT - By - ALL RIGHTS RESERVED.

LOC	DIST	REVISIONS					
GP	00	P	LTR	DESCRIPTION	DATE	DWN	APVD
		P		REVISED PER ECO-11-004835	11MAR11	RK	HMR



- 1 ZINC PLATED .000200-000400 THICK, YELLOW CHROMATE COATING.
- 2 ZINC PLATED .000200-000400 THICK, CLEAR CHROMATE COATING.

2	5205818-3
1	5205818-2
FINISH	PART NUMBER

THIS DRAWING IS A CONTROLLED DOCUMENT.		DWN	R.RICHARDSON	20JUN05	STE TE Connectivity			
DIMENSIONS: INCHES		CHK	C.ROHDE	20JUN05				
TOLERANCES UNLESS OTHERWISE SPECIFIED:		APVD	M.WALMSLEY	20JUN05	NAME			
0 PLC	± -	PRODUCT SPEC	-	-	SCREWLOCK, FEMALE, AMPLIMITE			
1 PLC	± -	APPLICATION SPEC	-	-	SIZE	CAGE CODE	DRAWING NO	RESTRICTED TO
2 PLC	± -				A3	00779	C-5205818	-
3 PLC	± .005				CUSTOMER DRAWING			SCALE
4 PLC	± -							4:1
ANGLES	± -							SHEET
MATERIAL	FINISH	WEIGHT	-	-				1 OF 1
COLD ROLLED STEEL	SEE TABLE							REV
								P

单击下面可查看定价，库存，交付和生命周期等信息

[>>TE Connectivity\(泰科\)](#)