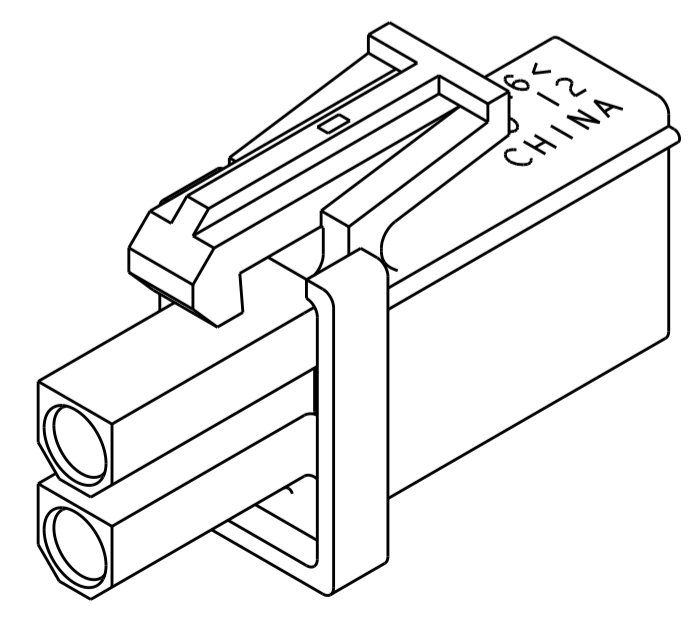
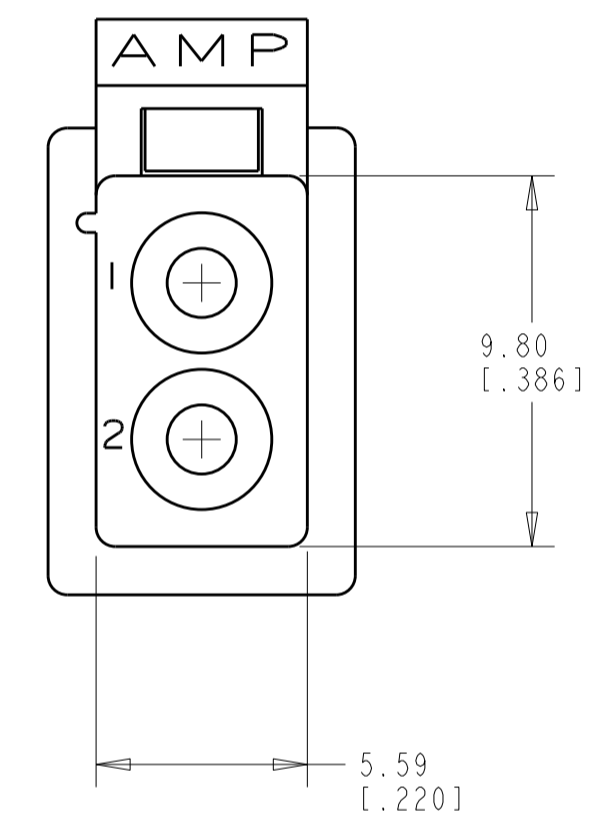
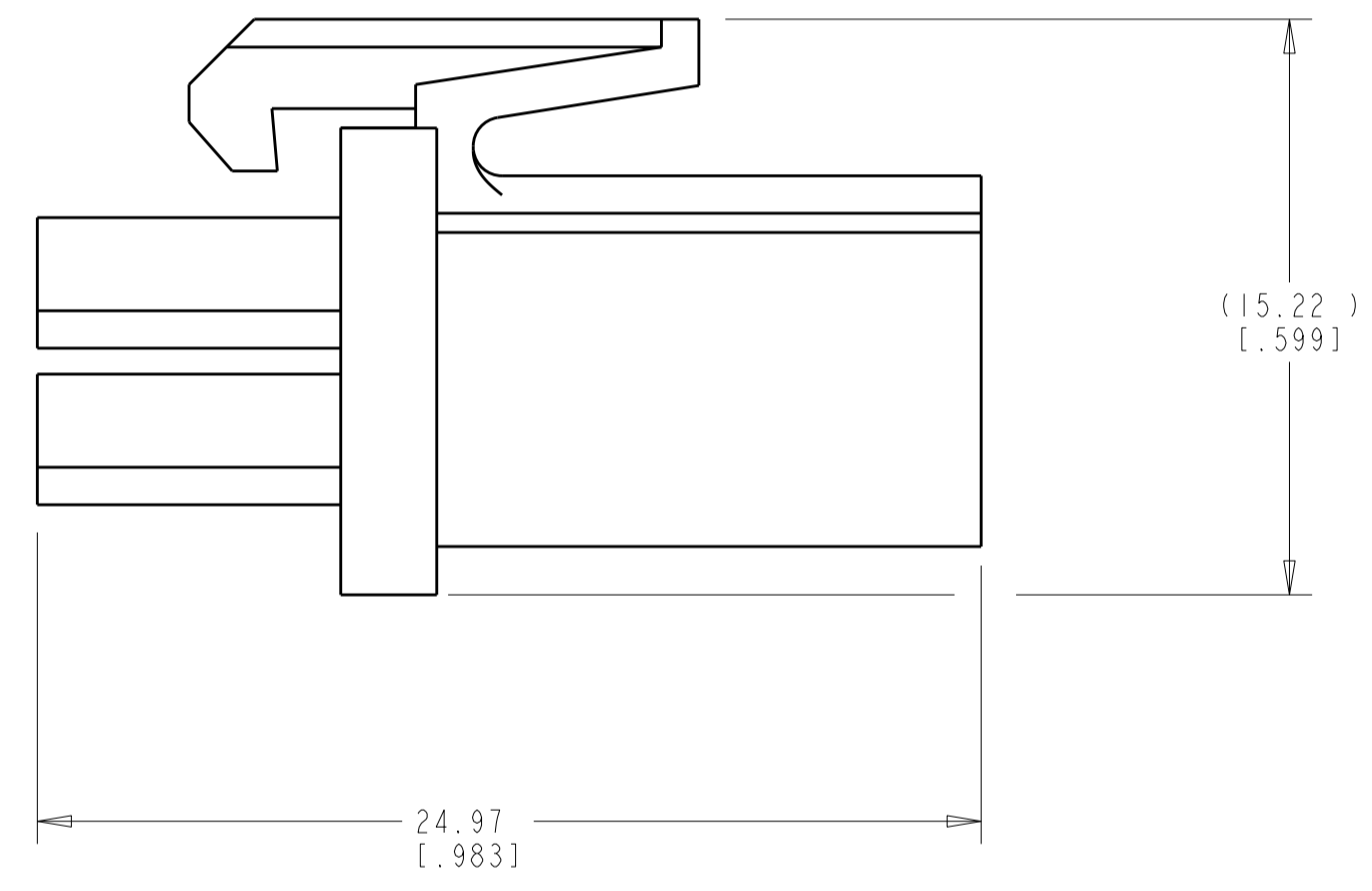
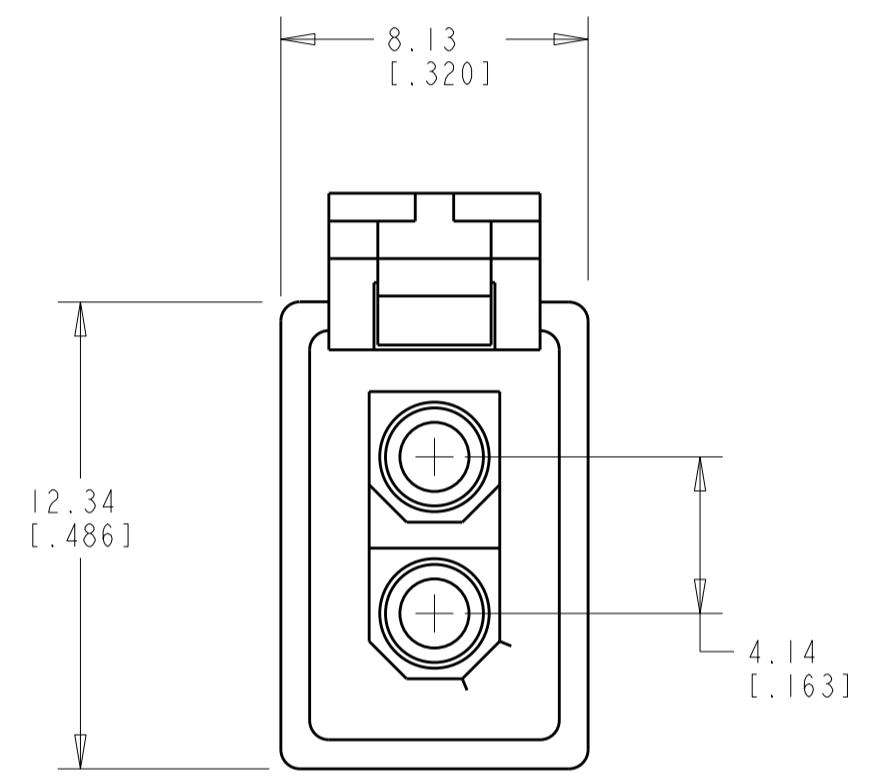


THIS DRAWING IS UNPUBLISHED. RELEASED FOR PUBLICATION 20
 © COPYRIGHT 20 BY - ALL RIGHTS RESERVED.

REVISIONS					
P	LTR	DESCRIPTION	DATE	DWN	APVD
C		REVISED PER ECR-12-017444	27NOV2017	BW	SG

1. DIMENSIONS IN BRACKETS ARE IN INCHES.
2. FLAMMABILITY V-2 FOR THICKNESS 0.38mm, 0.75mm, 1.5mm AND 3.0mm PER IEC 60695-11-10.
3. GLOW-WIRE FLAMMABILITY (GWF1) 800°C FOR THICKNESS 0.38mm AND 0.75mm PER IEC 60695-2-12.
4. GLOW-WIRE FLAMMABILITY (GWF1) 960°C FOR THICKNESS 1.5mm AND 3.0mm PER IEC 60695-2-12.
5. GLOW-WIRE IGNITION (GWIT) 825°C FOR THICKNESS 0.38mm 0.75mm, 1.5mm, AND 3.0mm PER IEC 60695-2-13.



3 DIMENSIONAL MODEL
SCALE 4:1

0.054 IN ³	1586940-1
VOLUME	PART NUMBER

THIS DRAWING IS A CONTROLLED DOCUMENT.		DWN K. WHITAKER 30NOV2007	TE Connectivity	
DIMENSIONS: mm [INCHES]		CHK C. JONES 30NOV2007		
TOLERANCES UNLESS OTHERWISE SPECIFIED:		APVD C. JONES 30NOV2007	NAME PLUG, 2 CIRCUIT, SEALED APPLICATION, MINI UNIVERSAL MATE-N-LOK(TM)	
0 PLC ±-	1 PLC ±-	PRODUCT SPEC	SIZE	RESTRICTED TO
2 PLC ±0.13 [.005]	3 PLC ±-	APPLICATION SPEC	A2	-
4 PLC ±-	ANGLES ±0° 30'	WEIGHT	CAGE CODE	DRAWING NO
FINISH -		CUSTOMER DRAWING	A200779	1586940
MATERIAL NYLON, UL94V-2, NATURAL		SCALE	5:1	SHEET OF REV
				1 1 C

单击下面可查看定价，库存，交付和生命周期等信息

[>>TE Connectivity\(泰科\)](#)