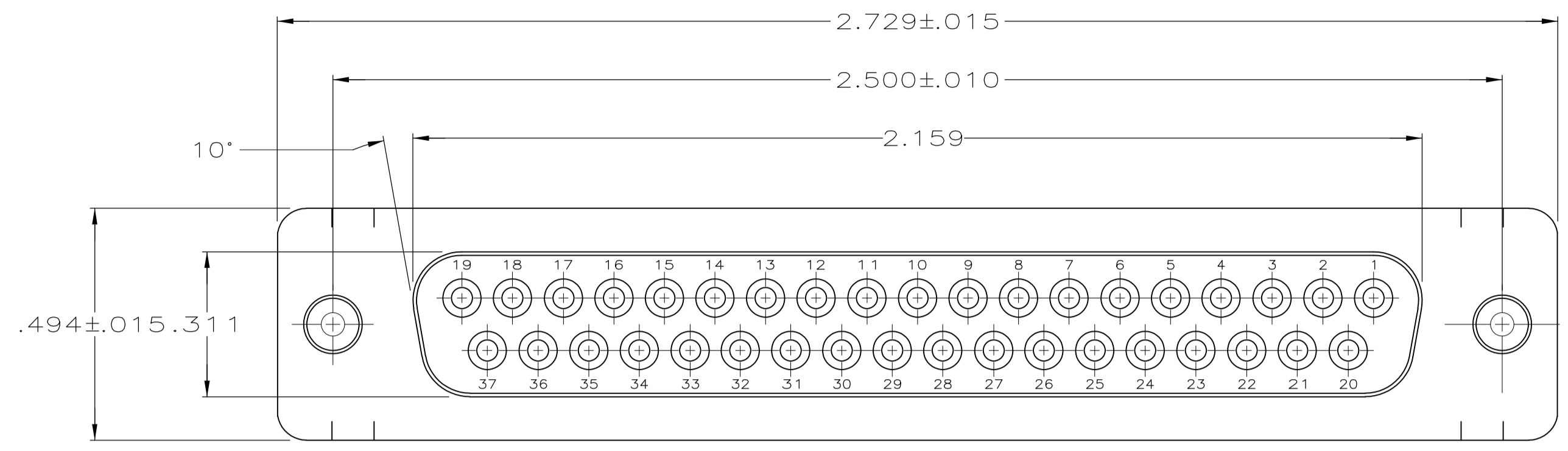
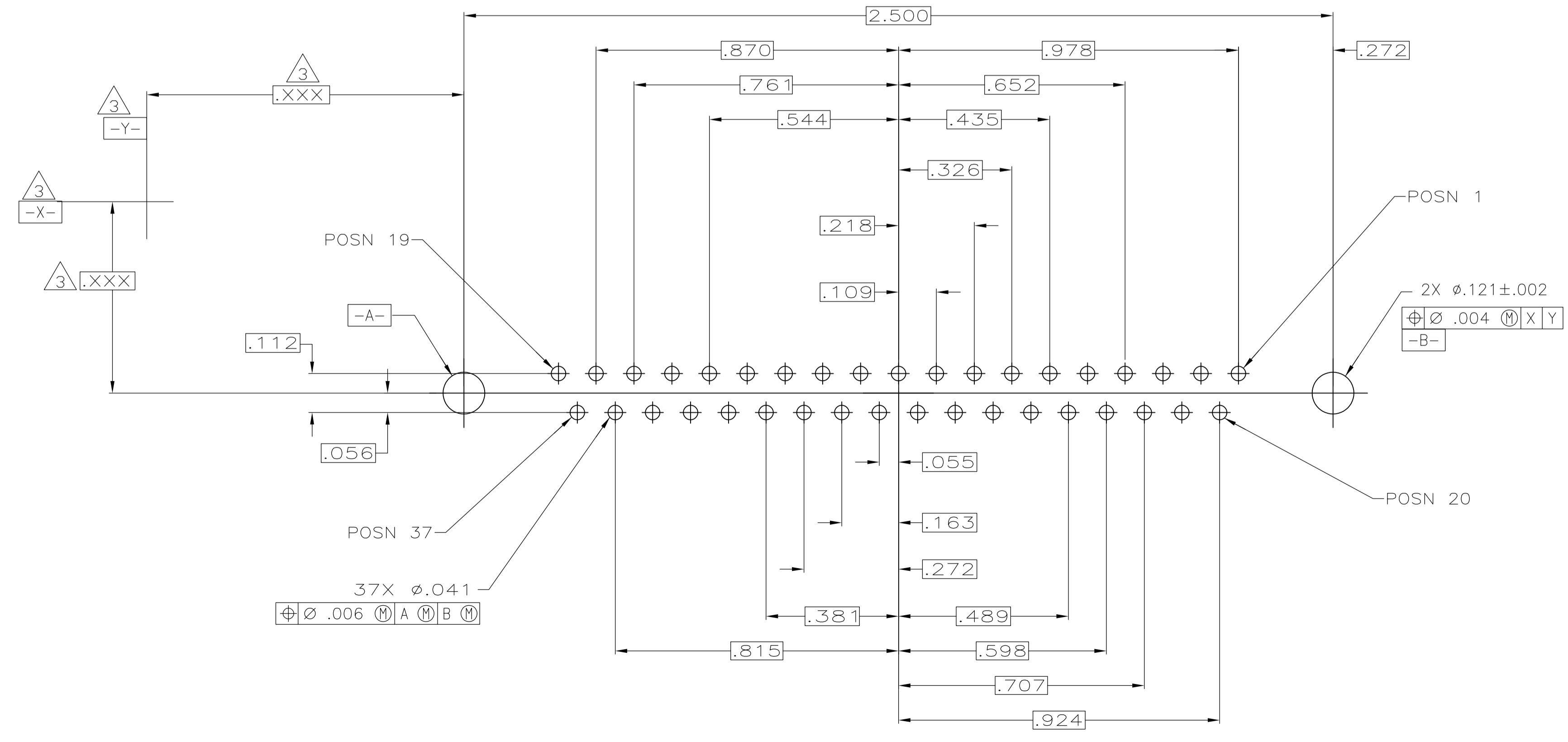
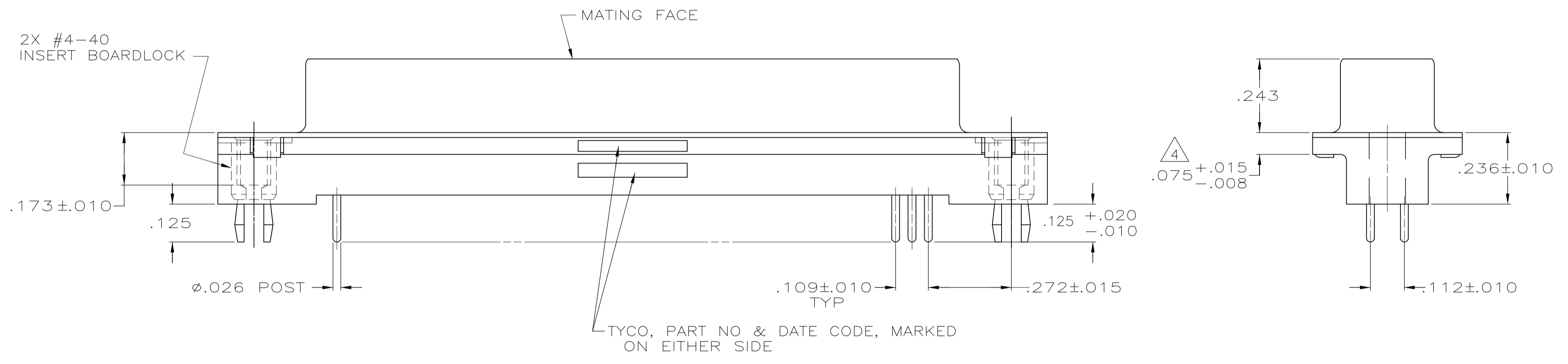


REVISIONS					
P	LTR	DESCRIPTION	DATE	DMN	APVD
B		REVISED PER ECO-16-001548	24FEB2016	AP	DG



- 1 HOUSING: POLYESTER, UL 94V-0 RATED, COLOR BLACK.
SHELL: CARBON STEEL.
CONTACTS: PHOS. BRONZE.
INSERT BOARDLOCKS: BRASS.
- 2 SHELL: .000200 MIN TIN OVER .000100 MIN COPPER.
CONTACTS: .000030 MIN GOLD FOR LENGTH OF .100 MIN FROM MATING END, .000100 MIN TIN ON TERMINATION END, ALL OVER .000050 MIN NICKEL ON ENTIRE CONTACT.
INSERT BOARDLOCKS: .000150 MIN TIN OVER .000100 MIN COPPER.
- 3 DATUMS AND BASIC DIMENSIONS ESTABLISHED BY CUSTOMER.
- 4 .110 MAX IN SHELL TAB CLINCH AREAS.



RECOMMENDED PC BOARD MOUNTING DIMENSIONS

2-5747709-0
PART NO

THIS DRAWING IS A CONTROLLED DOCUMENT.		DIN B LATTUCA 27SEPT05	 TE Connectivity
DIMENSIONS: INCHES		CHK S BOLASH 27SEPT05	
TOLERANCES UNLESS OTHERWISE SPECIFIED:		APPD M WALMSLEY 27SEPT05	NAME
0 PLC	± -	PRODUCT SPEC	RECEPTACLE ASSEMBLY, SIZE 4, 37 POS., VERTICAL, .026 DIA. POSTS, FRONT SHELL RETENTION INSERTS, AMPLIMITE HD-20
1 PLC	± -	APPLICATION SPEC	108-40025
2 PLC	± -	SIZE	114-40023
3 PLC	± .005	WEIGHT	-
4 PLC	± -	SCALE	4:1
ANGLES	± -	SHEET	1 OF 1
MATERIAL	1	CUSTOMER DRAWING	REV B
FINISH	2	DRAWING NO	00779
		DRAWING NO	5747709

单击下面可查看定价，库存，交付和生命周期等信息

[>>TE Connectivity\(泰科\)](#)

[>>点击查看相关商品](#)