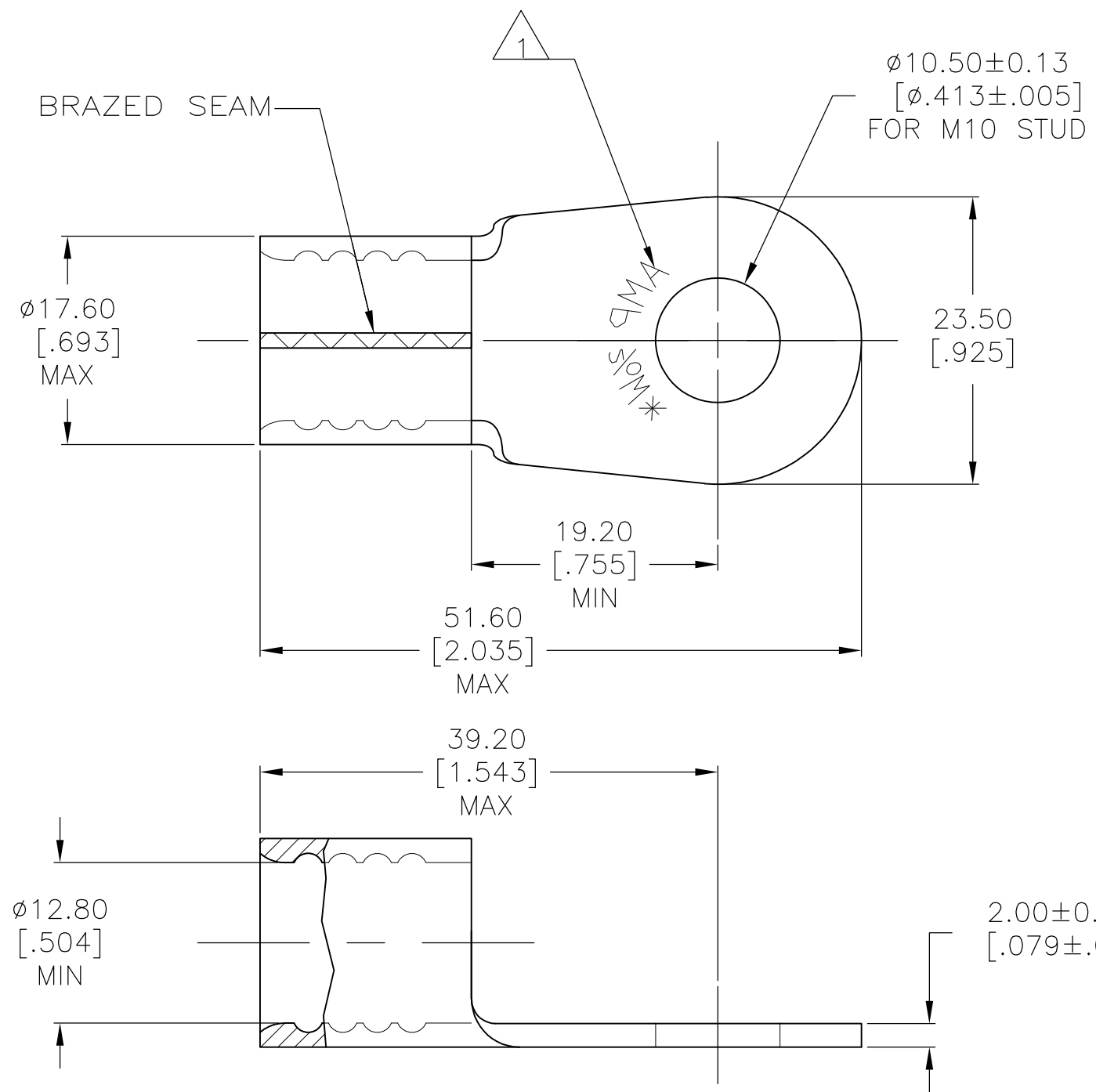


THIS DRAWING IS UNPUBLISHED. RELEASED FOR PUBLICATION  
 © COPYRIGHT - By - ALL RIGHTS RESERVED.

LOC	DIST	REVISIONS					
		P	LTR	DESCRIPTION	DATE	DWN	APVD
G	05		B2	REVISED PER ECO-12-013449	23JUL12	KH	DR

**AMP**  
WIRE RANGE

2/0 AWG  
SOLID OR STRANDED



- 1 STAMP "AMP 2/0W\*", LOCATED APPROX AS SHOWN
- 2 MAX OPERATION TEMPERATURE IS 343°C [650°F] MAX
- 3 WIRE CROSS SECTIONAL AREA IS 60.6-76.3mm<sup>2</sup> [119,500-150,000] CMA.
- 4 COPPER PER ASTM B-152, ANNEALED
- 5 NICKEL PLATE 0.00762 [0.0001300] MIN THK EXT PER SAE AMS QQ-N-290

25	LOOSE PIECE	132104-2
QTY	PACKAGE TYPE	PART NO.

THIS DRAWING IS A CONTROLLED DOCUMENT.		DWN	JR RUTH	25JAN10	<b>STE</b> TE Connectivity		
DIMENSIONS: mm [INCHES]		CHK	T MICHIELUTTI	25JAN10			
		APVD	T MICHIELUTTI	25JAN10			
		PRODUCT SPEC		NAME		TERMINAL, RING TONGUE, STRATO-THERM	
TOLERANCES UNLESS OTHERWISE SPECIFIED:		APPLICATION SPEC		SIZE	CAGE CODE	DRAWING NO	RESTRICTED TO
0 PLC	± -	-		A3	00779	C-132104	-
1 PLC	± -	-		CUSTOMER DRAWING		SCALE	2:1
2 PLC	± 0.20 [0.008]	-		SHEET		1 OF 1	REV
3 PLC	± -	-		MATERIAL		4	B2
4 PLC	± -	-		FINISH		5	
ANGLES	± -	-		WEIGHT		-	

单击下面可查看定价，库存，交付和生命周期等信息

[>>TE Connectivity\(泰科\)](#)