

THIS DRAWING IS UNPUBLISHED.

RELEASED FOR PUBLICATION

,19

© COPYRIGHT 19

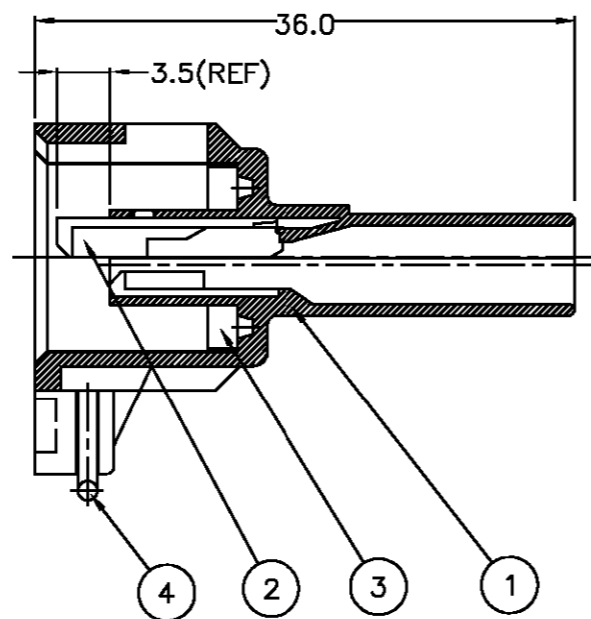
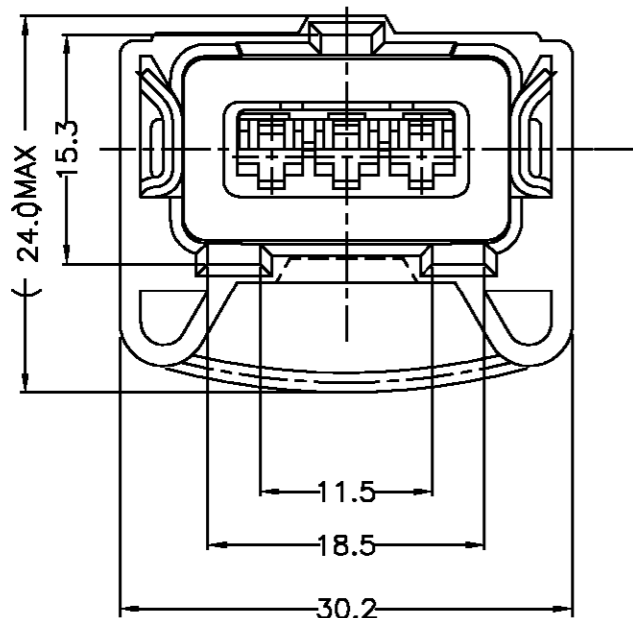
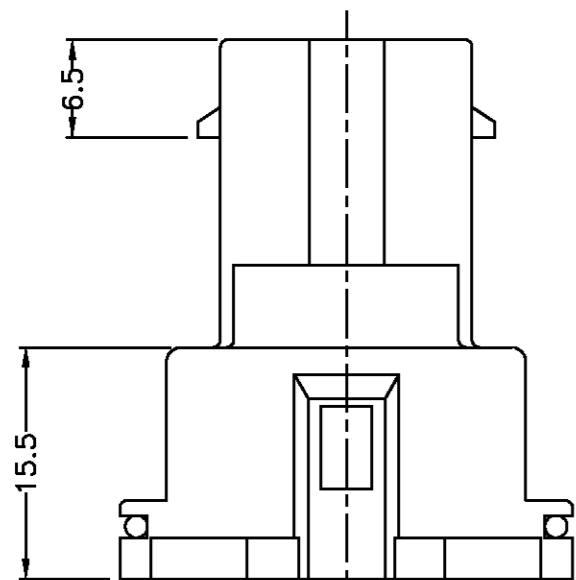
BY AMP INCORPORATED. ALL RIGHTS RESERVED.

LOC DS

DIST

REVISIONS

P	LTR	DESCRIPTION	DATE	DWN	APVD
0		RELEASED (FC00-0066-99)	'99 2/JUN	YD	CS



* NOTES *

- 1. APPLICABLE CONTACT P/NO: 927770 / 927766
- 2. APPLICABLE WIRE SEAL P/NO: 828904 / 828905 / 368064

NO	P/NO	DESCRIPTION	MATERIAL	COLOR	Q'TY
4	85388-1	SPRING	SUS 304	ORANGE	1
3	85384-1	SEAL RUBBER	SILICONE	ORANGE	1
2	85207-1	SPACER	PBT	YELLOW	1
1	368357-1	JPT 3P HSG FOR CLIP	PBT 30% GF	BLACK	1

P/NO	DESCRIPTION
368356-1	JPT 3P ASS'Y FOR CLIP

THIS DRAWING IS A CONTROLLED DOCUMENT FOR AMP INCORPORATED. IT IS SUBJECT TO CHANGE AND THE CONTROLLING ENGINEERING ORGANIZATION SHOULD BE CONTACTED FOR THE LATEST REVISION.

DIMENSIONS: MM		TOLERANCES UNLESS OTHERWISE SPECIFIED: 0<XX<10 ± 0.2 10<XX<30 ± 0.25 30<XX<100 ± 0.3 ANGLES ± 3°		DWN		AMP KOREA. kyungsan, korea	
3rd ANGLE PROJECTION		MATERIAL		FINISH		NAME	
APVD		PRODUCT SPEC		APPLICATION SPEC		JPT 3P ASS'Y FOR CLIP	
CHK		WEIGHT		SIZE		CAGE CODE	
APVD		6.30g		A3		00779	
PRODUCT SPEC		DRAWING NO		SCALE		SHEET	
108-61000		C- 3 6 8 3 5 6		2/1		1 OF 1	
APPLICATION SPEC		REV		REV		REV	
114-18018		0		0		0	

单击下面可查看定价，库存，交付和生命周期等信息

[>>TE Connectivity\(泰科\)](#)