

LOC	DIST	REVISIONS				
P	LTR	DESCRIPTION	DATE	DWN	APVD	
	E	UPDATED PART REVISION	12AUG2014	KR	JC	
	F	UPDATED PART REVISION	18AUG2014	KR	JC	
	G	UPDATED DRAWING	19FEB2015	KR	MZ	
	H	ECR-15-009919 AND ECR-15-010559	16JUL2015	RS	JL	

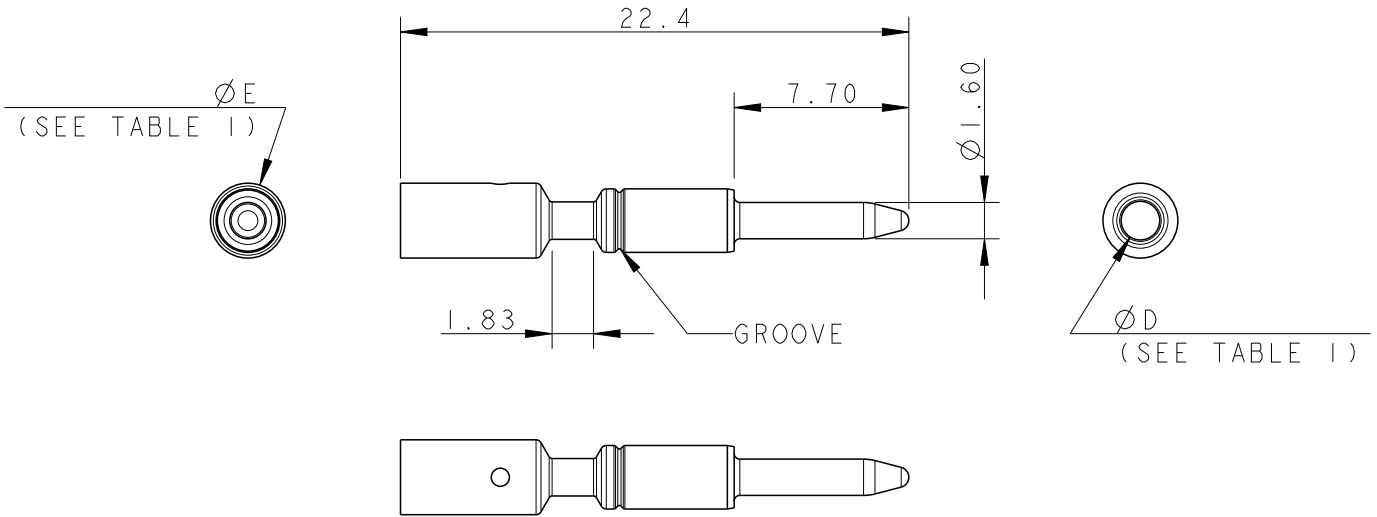


TABLE 2 (SCALE 1:1)		
		2-293476-2
		1-293476-2
		293476-2
ADDITIONAL VIEWS, FOR REFERENCE	3D VIEWS FOR REFERENCE	PART NUMBER

NOTES:

1) PACKAGING: SEE TE PACKAGING SPEC. 107-20294

2) PART NOT YET RELEASED FOR PRODUCTION

TABLE 1							
2	4.0	3.9	2.8	0	-0.8	MACHINE PIN CONTACT NECTOR* M-LINE	2-293476-2
	2.5	3.3	2.2	0	-0.7	MACHINE PIN CONTACT NECTOR* M-LINE	1-293476-2
	1.5	3.3	1.7	1	-0.8	MACHINE PIN CONTACT NECTOR* M-LINE	293476-2
NOTE	CROSS SECTION (sqmm)	DIMENSION "E"	DIMENSION "D"	NO. OF GROOVES	NET WEIGHT (g)	DESCRIPTION	PART NUMBER

2010 RELEASED FOR PUBLICATION ALL RIGHTS RESERVED. THIS DRAWING IS UNPUBLISHED. BY - COPYRIGHT 2010

DIMENSIONS: mm	DWN M. ZUCCA 22OCT2009	MATERIAL BRASS	FINISH TIN PLTD
TOLERANCES UNLESS OTHERWISE SPECIFIED:	CHK M. ZUCCA 22OCT2009	TE Connectivity	
0 PLC ±-	APVD G. TURCO 22OCT2009		
1 PLC ±0.3	PRODUCT SPEC 108-20304	NAME MACHINED PIN CONTACT NECTOR* M-LINE	
2 PLC ±0.20	APPLICATION SPEC 114-20152	SIZE A4	CAGE CODE 00779
3 PLC ±-	WEIGHT SEE TABLE 1	DRAWING NO C-293476	RESTRICTED TO -
4 PLC ±-	Customer Drawing	SCALE 3:1	SHEET 1 OF 1
ANGLES ±3°			REV H

单击下面可查看定价，库存，交付和生命周期等信息

[>>TE Connectivity\(泰科\)](#)