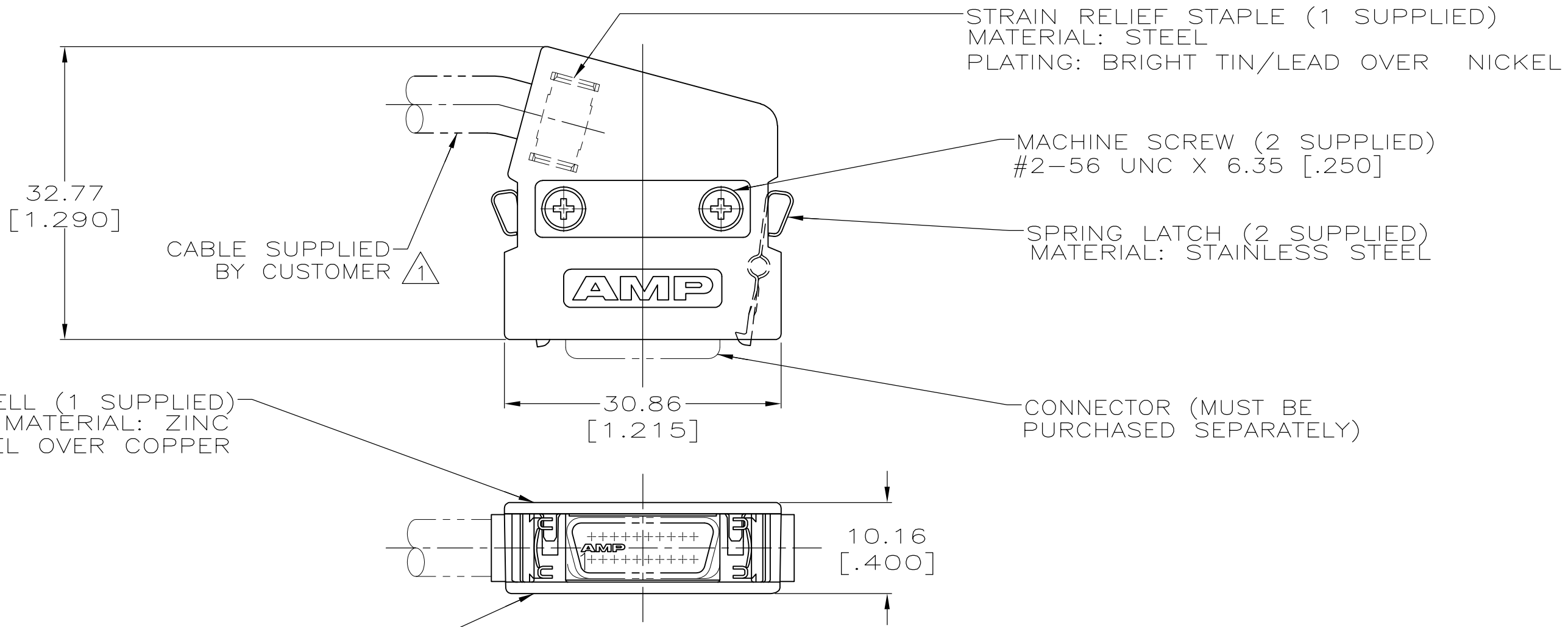


THIS DRAWING IS UNPUBLISHED. RELEASED FOR PUBLICATION ,19 .
 © COPYRIGHT 19 BY AMP INCORPORATED. ALL INTERNATIONAL RIGHTS RESERVED.

LOC	DIST	P	F	ZONE	LTR	DESCRIPTION	DATE	APPD
GP	00				D	REVISED PER EC 0S13-0401-04	11NOV04	JG
					D1	REVISED PER ECO-09-022424	15SEP09	AEG



2	OBSOLETE	BULK - 150 PIECES	749199-2
		INDIVIDUAL - 1 PIECE	749199-1
PACKAGING			PART NO

- 1 6.86 [.270] MAX CABLE DIA
- 2 OBSOLETE PARTS: OBSOLETE CIS STREAMLINING PER D.RENAUD/D.SINISI



DO NOT SCALE PRINT. UNLESS SPECIFIED DIMENSIONS IN mm [INCHES] TOLERANCES ON:	DR 12/20/88 M.E.SHIRK	AMP AMP INCORPORATED Harrisburg, Pa. 17105
2 PLC DEC ± -	CHK 12/20/88 M.A.MCCAFFREY	
3 PLC DEC ± 0.38 [.015]	APPD 12/20/88 J.L.BROSCHARD	NAME INDIVIDUAL KIT, UNASSEMBLED, 20 POSITION, 75° EXIT, UNKEYED, AMPLIMITE .050 Series
ANGLES ± -	APPD 12/20/88 C.E.REYNOLDS	SIZE B FSCM NO 00779 DRAWING NO 749199
MATERIAL -	PRODUCT SPEC -	SCALE 2:1 SHEET 1 OF 1
FINISH -	APPLICATION SPEC -	
WEIGHT -		

单击下面可查看定价，库存，交付和生命周期等信息

[>>TE Connectivity\(泰科\)](#)