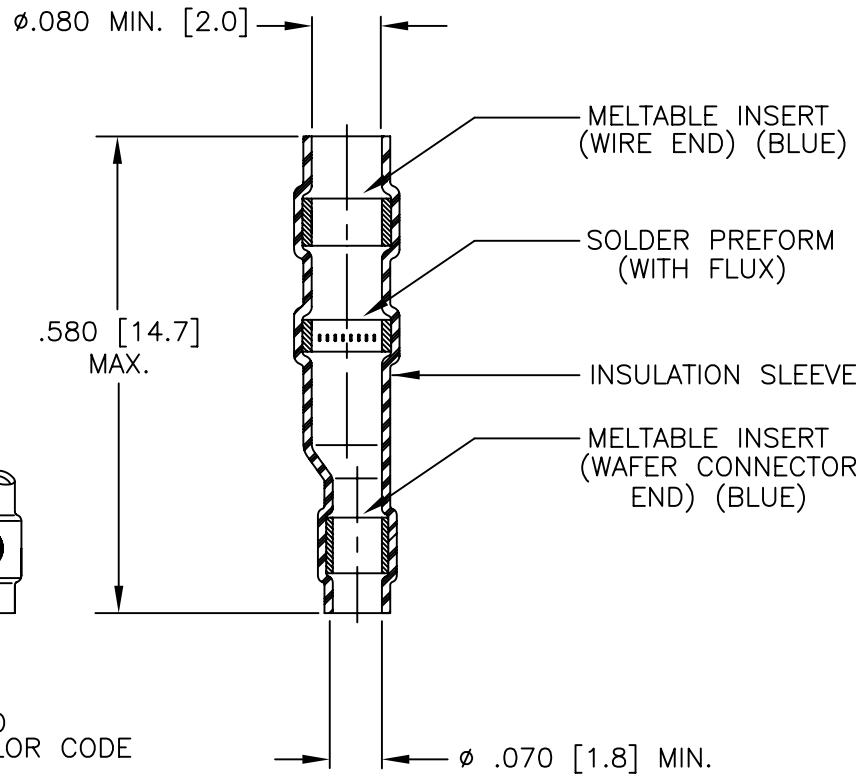
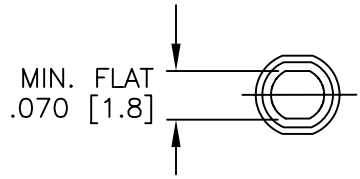


THIS DRAWING AND THE INFORMATION SET FORTH HERE-ON ARE THE PROPERTY OF TYCO ELECTRONICS CORPORATION, AND ARE TO BE HELD IN TRUST AND CONFIDENCE. PUBLICATION, DUPLICATION, DISCLOSURE, OR USE FOR ANY PURPOSE NOT EXPRESSLY AUTHORIZED IN WRITING BY TYCO ELECTRONICS CORPORATION IS PROHIBITED.

REVISIONS			
LTR	DESCRIPTION	DATE	APPROVED
1	PRE PRODUCTION RELEASE ECN T-4500	11/22/83	J.B.
A	PER ECO-09-025648	Nov/16/09	M.HIGGY



NOTES:

- MATERIALS:
  - A. INSULATION SLEEVE: HEAT SHRINKABLE, RADIATION CROSSLINKED MODIFIED POLYVINYLIDENE FLUORIDE, TRANSPARENT BLUE.
  - B. SOLDER PREFORM: SOLDER TYPE: Sn96  
FLUX TYPE: RA  
PER ANSI-J-STD-006.
  - C. MELTABLE INSERTS: LOW OUTGASSING IMMERSION RESISTANT THERMOPLASTIC.
  - D. CARRIER STRIP: ADHESIVE COATED HIGH TEMPERATURE TAPE.
- THESE SLEEVES ARE DESIGNED TO ATTACH 20 THROUGH 26 GAGE TIN, NICKEL OR SILVER PLATED CONDUCTORS TO TERMINALS OF A TE MTC100 SERIES WAFER.

©2009 Tyco Electronics Corporation. All rights reserved. CUSTOMER DRAWING

UNLESS OTHERWISE SPECIFIED DIMENSIONS ARE IN INCHES. METRIC DIMENSIONS ARE IN BRACKETS.  DECIMALS .XXX ± .XX ± N/A mm ANGLES .X ±	DRAWN	Zsofia O.	Nov/10/09		Raychem Interconnect 300 Constitution Drive Menlo Park, CA 94025 U.S.A	
	CHECKED					
	APPROVED	M. HIGGY	Nov/10/09	TITLE SOLDERSLEEVE <sup>®</sup> WIRE TERMINATOR WITH OVAL ENTRY TEMPERATURE RATING 150 CELSIUS DEGREE, Sn96 MTC100 SERIES		
	APPROVED			CAD NAME CTA-0065		
WEIGHT:	THIRD ANGLE PROJECTION			SIZE B	CAGE CODE: 06090	DWG. NO. CTA-0065
				SCALE: NONE	REV A	
				SHEET 1 OF 1		

If this document is printed it becomes uncontrolled. Check for the latest revision

® Trademark of Tyco Electronics Corporation.

单击下面可查看定价，库存，交付和生命周期等信息

[>>TE Connectivity\(泰科\)](#)