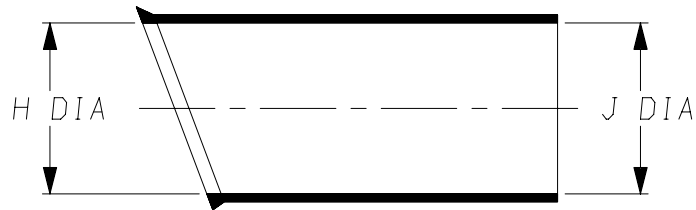
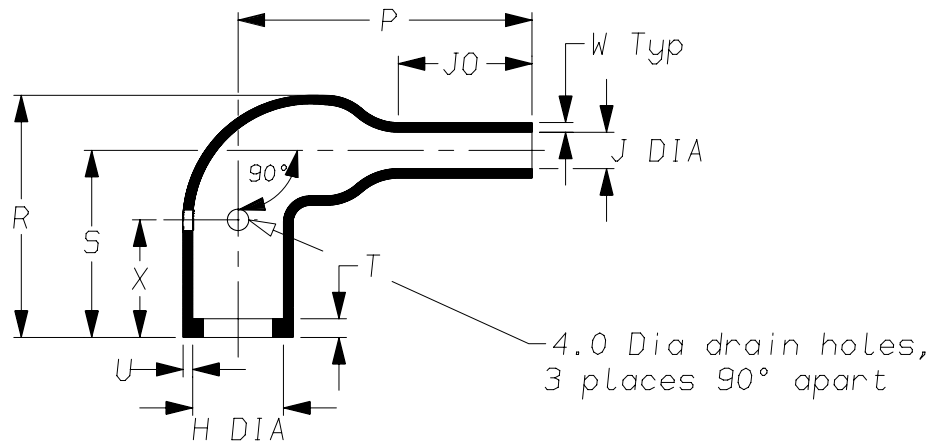


a) Part as supplied

224W142-*G43



b) Part after unrestricted recovery.



DIMENSIONS in millimetres
(in inches, for reference)

Part Number	H		J		P	R	S	T	U	JO	W	X
	Min	Max	Min	Max	±10%	±20%	±10%	±10%	±10%	±10%	±20%	±20%
	a	b	a	b	b	b	b	b	b	b	b	b
224W142-*G43	31 (1.22)	20.1 (0.79)	31 (1.22)	7.0 (0.28)	55 (2.17)	45.3 (1.78)	35 (1.38)	3.5 (0.14)	2.0 (0.08)	25 (0.98)	1.8 (0.07)	22 (0.87)

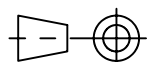
#

This is a drilled variant
Modified dimensions are shown thus:- #

Copyright (!)

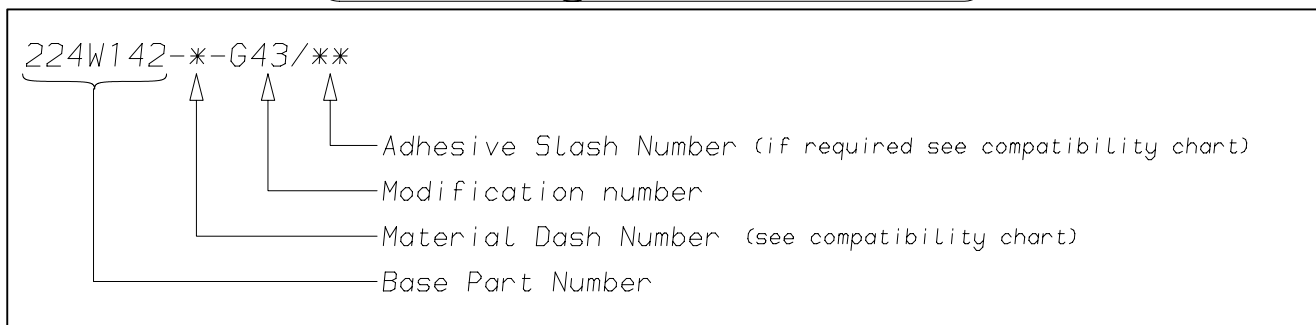
The copyright in this drawing is the property of Tyco Electronics UK Ltd. The drawing is issued on the condition that it is not copied, reproduced or disclosed to a third party, either in whole or in part without the prior written consent of Tyco Electronics UK Ltd.

Drawn A.LILLEY. Checked Issue 1 Date November 2007 Conforms to ISO Recommendations
Approval Design MKTG. Tech. 3rd Angle Projection Not to Scale



Raychem		Specification Control Drawing	Part Number 224W142-*G43 Issue 1
Iss.	Date	E.C.R. No.	Details of Change

(Ordering Information)



(COMPATIBILITY CHART)

Material Dash Number	Material Description	SPEC Number	Coating Slash Number
-3	POLYOLEFIN, SEMI-RIGID	RT-301	/42, /86, /180
-4	POLYOLEFIN, FLEXIBLE	RT-1304	/42, /86, /180
-25	ELASTOMER, FLUID RESISTANT	RW-2070	/42, /86, /225
-130	POLYOLEFIN, COMMERCIAL FLEXIBLE	RW-2008	/42

NOTES

- ① As supplied dimensions are for uncoated parts, when coating is added entry diameters will reduce by 1.5mm Max.

Tyco Electronics UK Ltd. Faraday Road, Swindon, Wiltshire, SN3 5HH England Telephone: (01793) 528171 Fax: 572516	Tyco Electronics Corporation 300, Constitution Drive, Menlo Park, CA 94025 USA Telephone (650) 361-3860 Fax: (650) 361-5579
Cage Code K1010	Cage Code 06090

单击下面可查看定价，库存，交付和生命周期等信息

[>>TE Connectivity\(泰科\)](#)