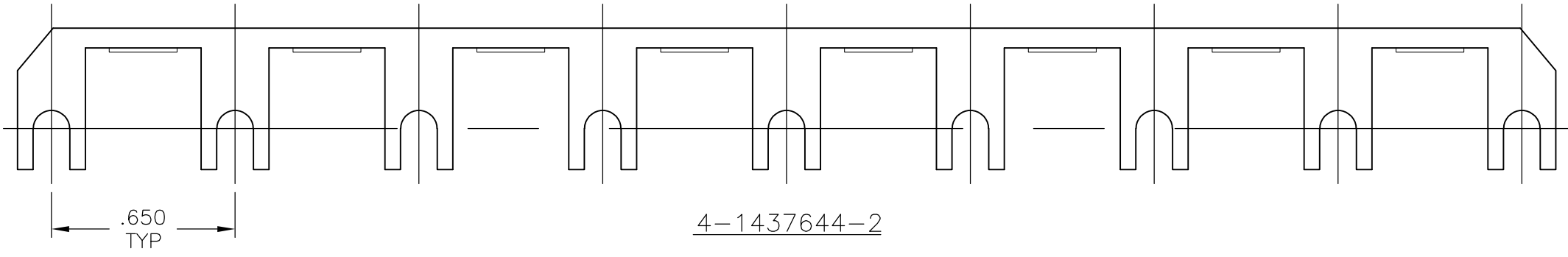
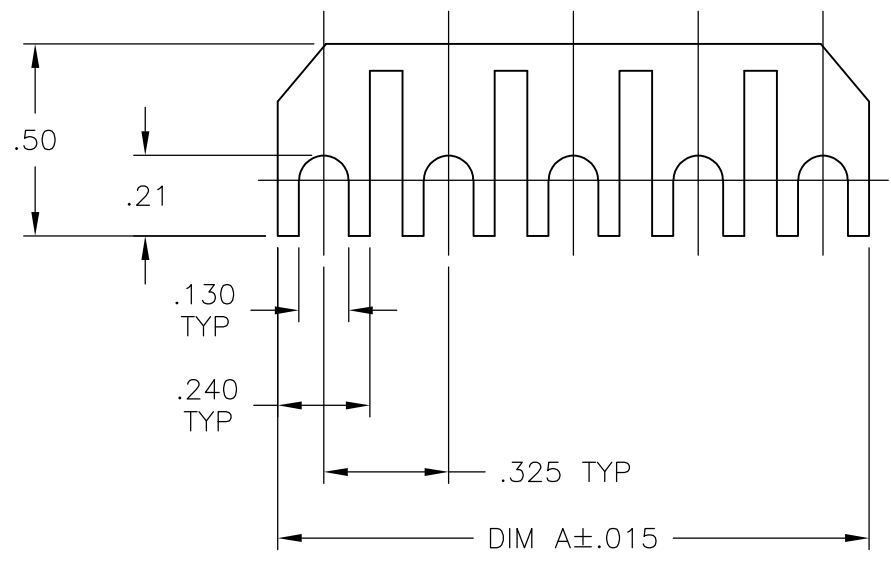


THIS DRAWING IS UNPUBLISHED. RELEASED FOR PUBLICATION  
 © COPYRIGHT - By - ALL RIGHTS RESERVED.

LOC	DIST	REVISIONS			
P	LTR	DESCRIPTION	DATE	DWN	APVD
FT	0	A1	REVISED PER ECO-11-004820	11MAR11	RK HMR

NOTES:

- 1. .020 THK BRASS, TIN PLATED.
- 2. FOR USE WITH 4 SERIES AND 4DB BARRIER STRIPS.



DIM A	CATALOG NO.	PART NUMBER
5.44	J4-9S	4-1437644-2
2.84	J4-9	4-1437644-1
1.54	J4-5	4-1437644-0
1.22	J4-4	3-1437644-9
.89	J4-3	3-1437644-8
.57	J4-2	3-1437644-7

THIS DRAWING IS A CONTROLLED DOCUMENT.		DWN S SCHLEGEL 3/29/05	<b>STE</b> TE Connectivity		
DIMENSIONS: INCHES		CHK S YODER 3/29/05			
TOLERANCES UNLESS OTHERWISE SPECIFIED:		APVD S YODER 3/29/05	NAME J4-XX		
0 PLC ± -		PRODUCT SPEC -	SIZE CAGE CODE DRAWING NO RESTRICTED TO		
1 PLC ± -		APPLICATION SPEC -	A3 00779 C-3-1437644-7		
2 PLC ± .02		WEIGHT -	SCALE 2:1 SHEET 1 OF 1 REV A1		
3 PLC ± .010		CUSTOMER DRAWING			
4 PLC ± -					
ANGLES ± -					
MATERIAL -					
FINISH -					

单击下面可查看定价，库存，交付和生命周期等信息

[>>TE Connectivity\(泰科\)](#)