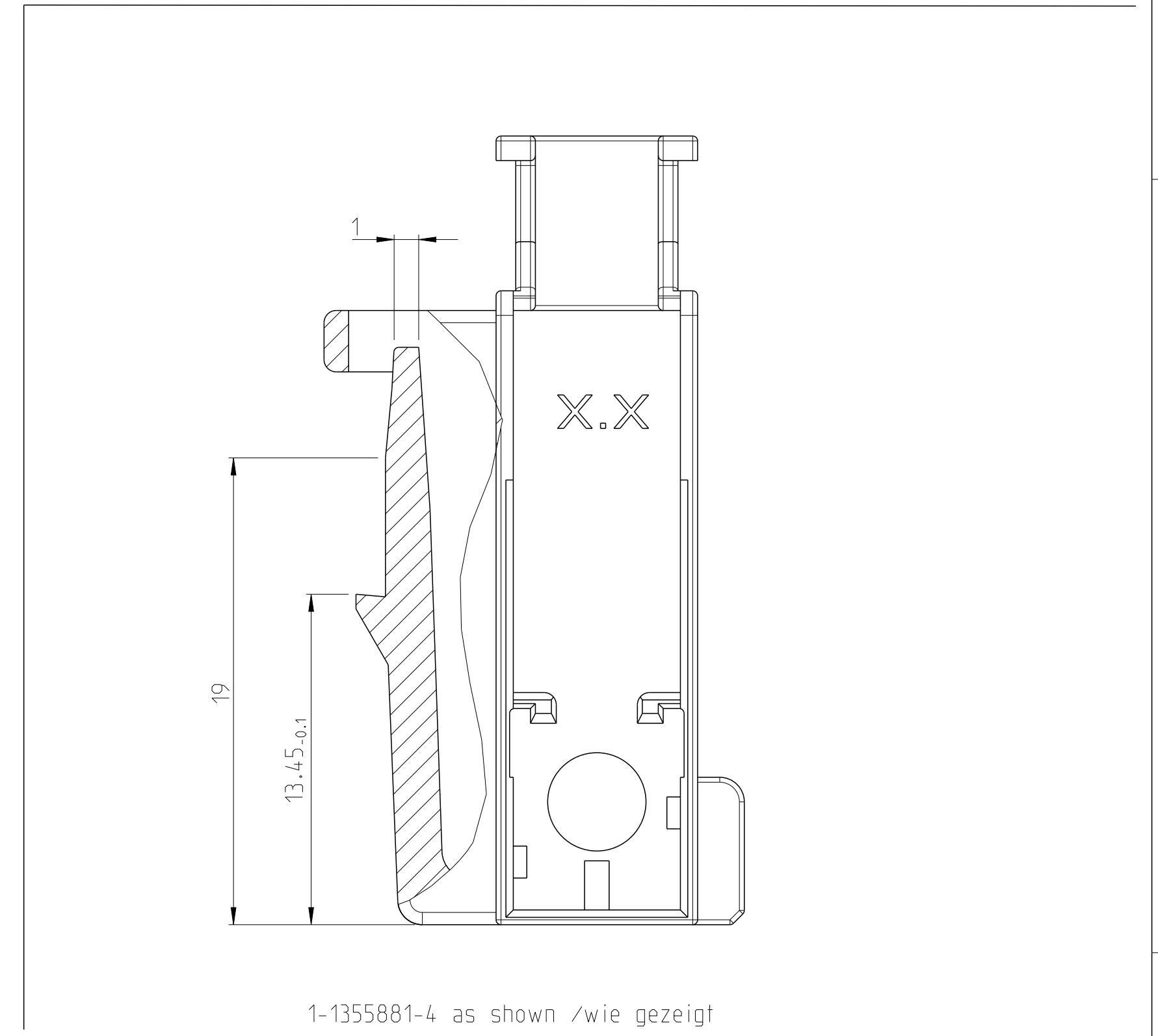
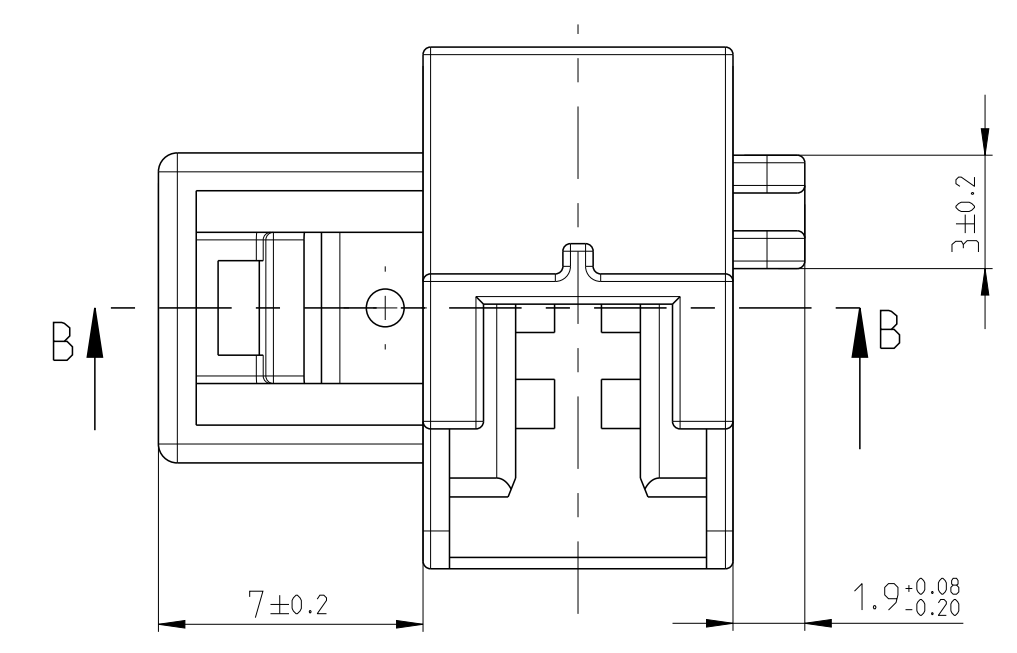
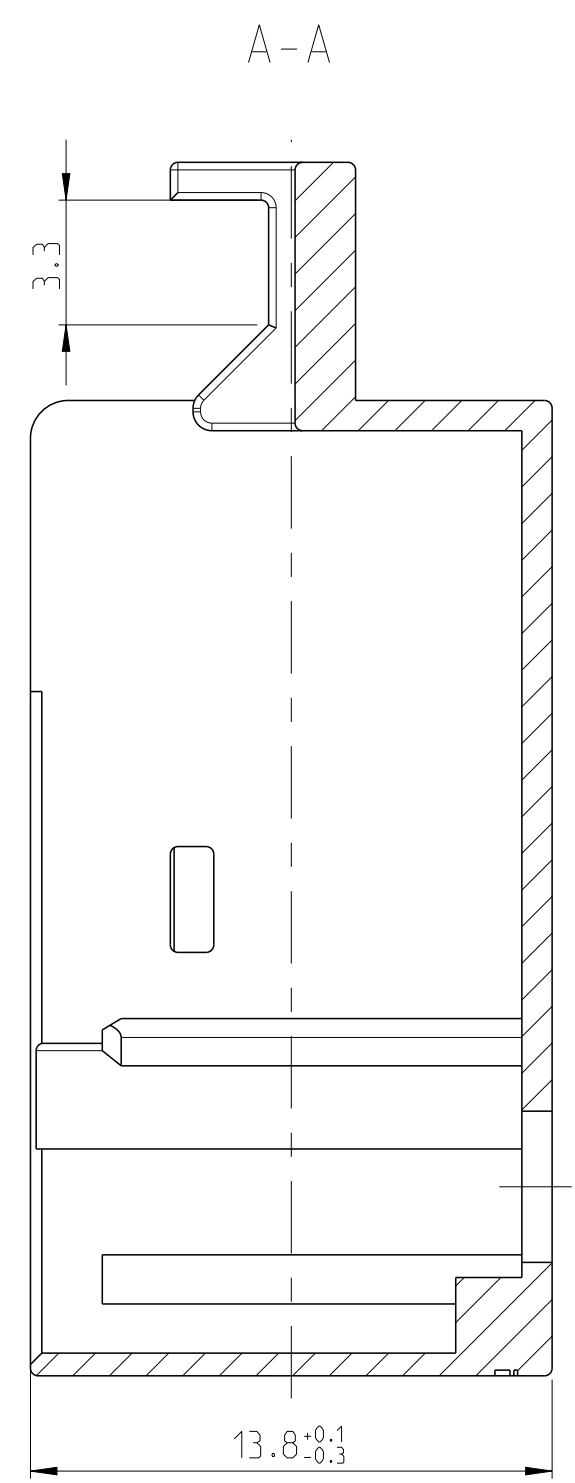
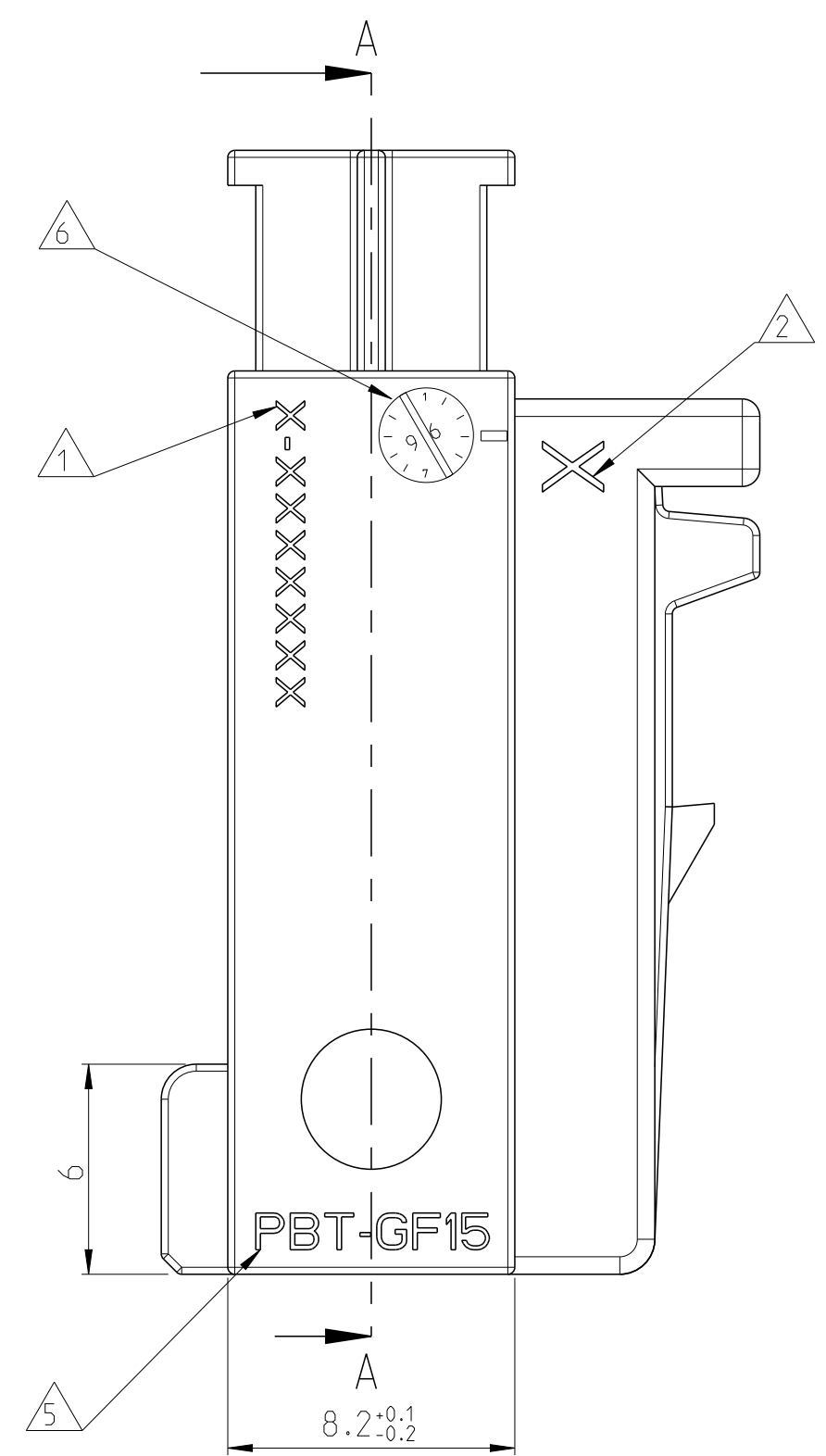
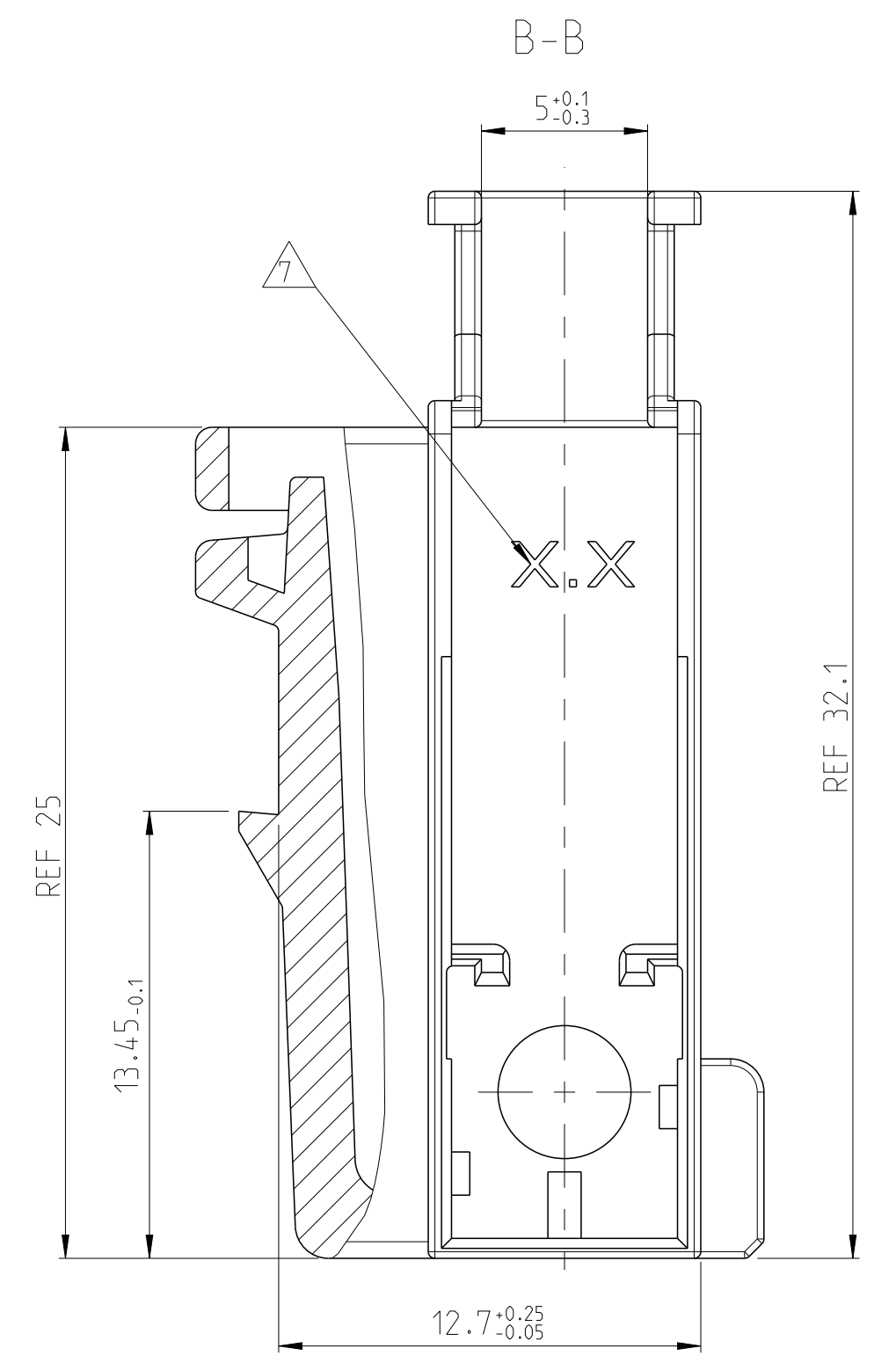
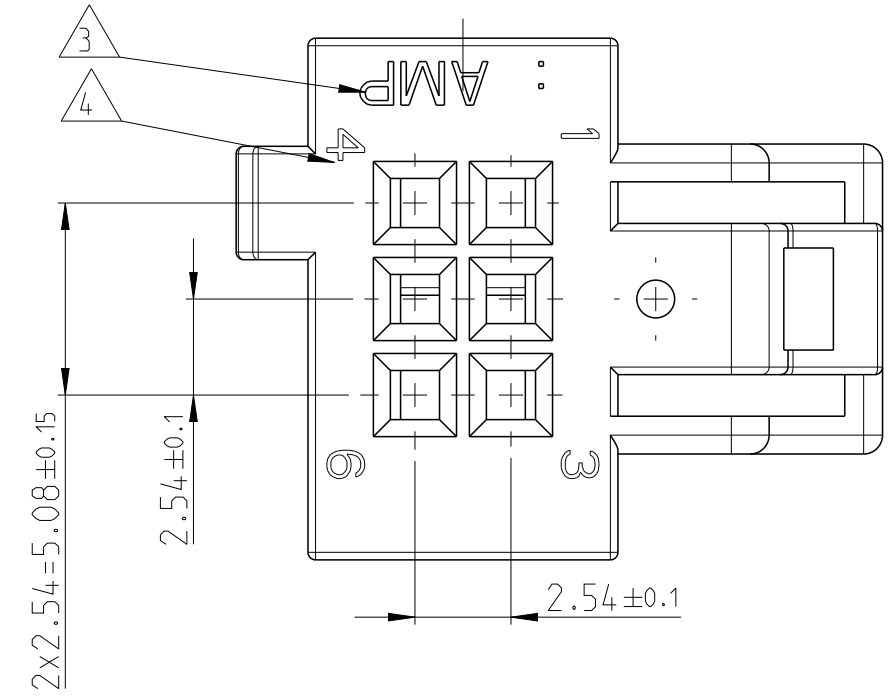


Project No.: PRJ-11-5807		LOC	DIST	REVISIONS			
P	LTN	DESCRIPTION	DATE	DWN	APVD		
A2		SEE E-12-020238	21NOV2012	SK	RH		



- NOTES
BEMERKUNGEN
- NV NOTE NOT VALID
Bemerkung nicht verwendet
 - 1 ORDER NUMBER
BESTELL-NUMMER
 - 2 REVISION NUMBER
WERKZEUGAENDERUNGSINDEX
 - 3 TE LOGO
 - 4 CONTACT CAVITY NUMBER
KONTAKTKAMMERNUMMER
 - 5 MATERIAL MARKING
WERKSTOFFKENNZEICHNUNG
 - 6 PRODUCTION DATE
PRODUKTIONSdatum
 - 7 TOOL CAVITY MARKING
NESTMARKIERUNG
 - 8 PACKAGING: BULK MATERIAL IN CARDBOARD BOX
VERPACKUNG: SCHUETTIGUT IN KARTON

QTY	TE ORDER NO	TE BESTELLNUMMER	REV	DESCRIPTION	MATERIAL	SURFACE COLOR	WEIGHT	ITEM NO
	1-1355881-4		A	SHIELD, 6WAY MQS	PBT-GF15	NATURE	1.6	4
	0-1355881-3		A	SHIELD, 6WAY MQS	PBT-GF15	WHITE	1.6	3
	0-1355881-2		A	SHIELD, 6WAY MQS	PBT-GF15	BLUE	1.6	2
	0-1355881-1		A	SHIELD, 6WAY MQS	PBT-GF15	BLACK	1.6	1

THIS DRAWING IS A CONTROLLED DOCUMENT. DIMENSIONING AND TOLERANCING PER GPS (ISO STANDARDS)		DWN S. Köttny 20NOV2012	TE Connectivity NAME SHIELD FOR 6 POS. MQS SOCKET HOUSING 6 pol. MQS Griffschale
TOLERANCES UNLESS OTHERWISE SPECIFIED:		CHK R. Hecker 21NOV2012	
DIMENSIONS: mm	0 PLC ±0.3	PRODUCT SPEC	SIZE CAGE CODE DRAWING NO
	1 PLC ±0.3	APPLICATION SPEC	A1 00779 C=1355881
	2 PLC ±0.3	WEIGHT	SCALE 5:1 SHEET 1 OF 1 REV A2
	3 PLC ±0.3	Customer Drawing	
	4 PLC ±0.3		
	ANGLES ±0.1		
	FINISH		

1355881-1 as shown /wie gezeigt

114-18659	-	-
INTERFACE SPEC	GM-Abbreviation	BENENNUNG DESCRIPTION
MATED WITH		
Passend zu		

单击下面可查看定价，库存，交付和生命周期等信息

[>>TE Connectivity\(泰科\)](#)