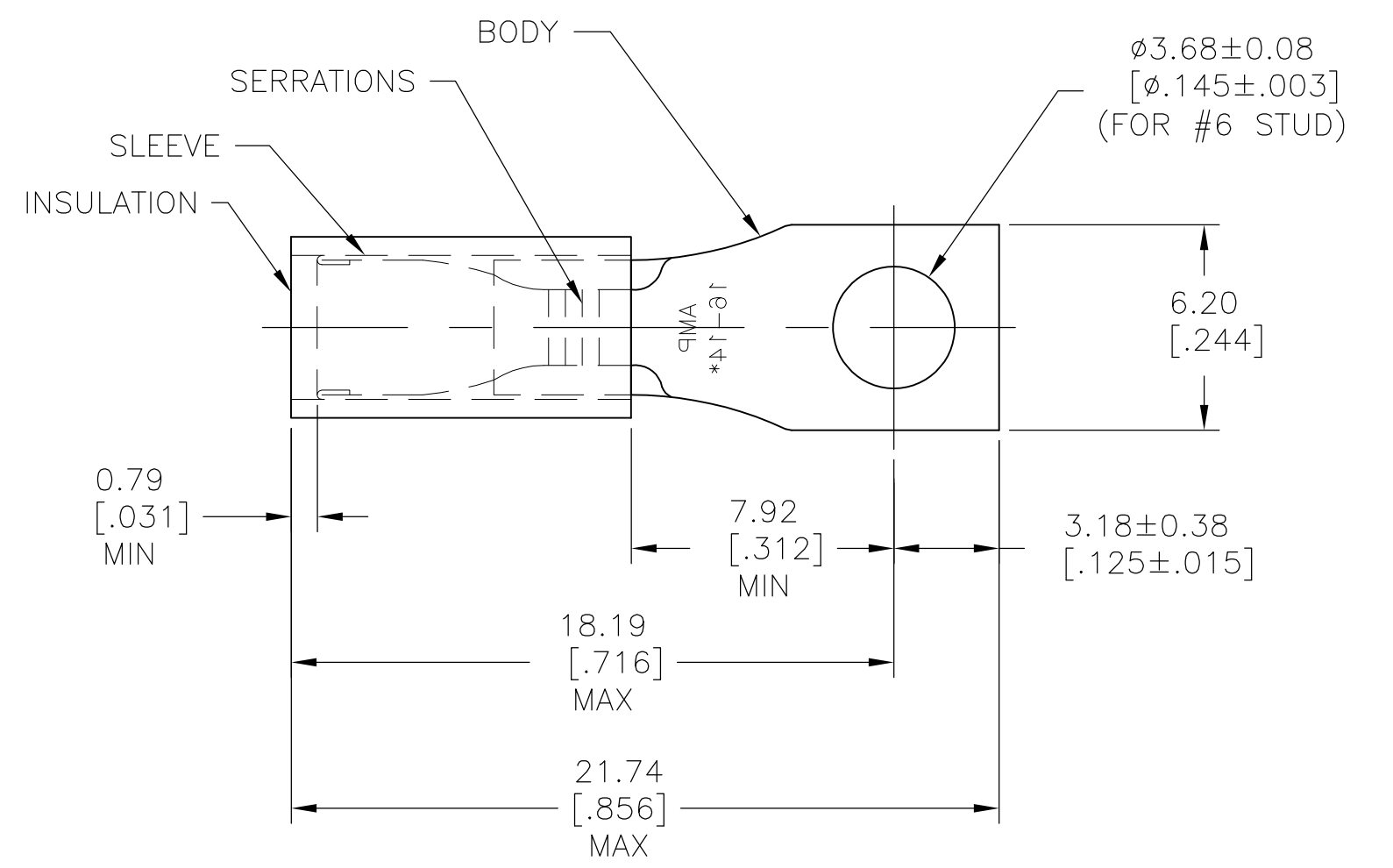


THIS DRAWING IS UNPUBLISHED. RELEASED FOR PUBLICATION  
 © COPYRIGHT BY TYCO ELECTRONICS CORPORATION. ALL INTERNATIONAL RIGHTS RESERVED.

LOC	DIST	REVISIONS					
G	14	P	LTR	DESCRIPTION	DATE	DWN	APVD
		G1		REDRAWN PER ECO-09-005960	14APR09	HMR	JR



TONGUE MATERIAL THK =  $0.79 \pm 0.05$  [  $.031 \pm .002$  ]  
 FOR 2.92 [ .115 ] TO 4.32 [ .170 ] WIRE INS. DIA

100	LOOSE PC, BOX	8-33173-1	INSULATION: NYLON COLOR: BLUE SLEEVE: COPPER (ASTM-B152) BODY: COPPER (ASTM-B152) TIN PL (ASTM-B545)	
OBSOLETE	<del>1</del>	<del>33173 ON TAPE</del>		<del>2</del> <del>33173</del> <del>1</del>
1	WIRE TERMINAL	33173		
QTY	DESCRIPTION	PART NO	MATERIAL & FINISH	

THIS DRAWING IS A CONTROLLED DOCUMENT.		DWN RAGHAVENDRA 14APR09	Tyco Electronics Corporation Harrisburg, PA 17105-3608	
DIMENSIONS: mm [INCHES]		CHK JEFF RUTH 14APR09		
TOLERANCES UNLESS OTHERWISE SPECIFIED:		APVD Tom Michielutti 14APR09	NAME	
0 PLC ± - 1 PLC ± - 2 PLC ± - 3 PLC ± 0.20 [ .008 ] 4 PLC ± - ANGLES ± 5°		PRODUCT SPEC	WIRE TERMINAL	
MATERIAL SEE TABLE		APPLICATION SPEC	P.I.D.G.-RECTANGULAR TONGUE	
FINISH SEE TABLE		WEIGHT -	WIRE SIZE: 16-14	
		SIZE A3	CAGE CODE 00779	DRAWING NO C-33173
		CUSTOMER DRAWING		RESTRICTED TO -
		SCALE 5:1	SHEET 1 OF 1	REV G1

单击下面可查看定价，库存，交付和生命周期等信息

[>>TE Connectivity\(泰科\)](#)