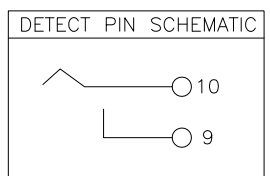
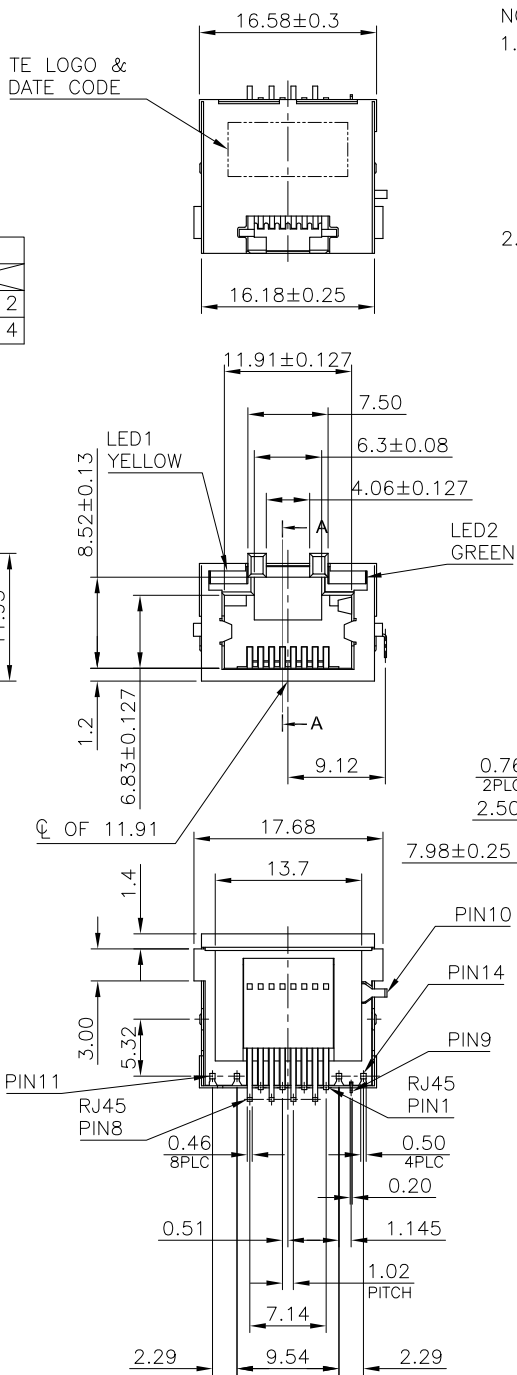


THIS DRAWING IS UNPUBLISHED. RELEASED FOR PUBLICATION
 © COPYRIGHT 2011 BY TYCO ELECTRONICS CORPORATION. ALL RIGHTS RESERVED.

LOC		DIST		REVISIONS			
DW		P	LTR	DESCRIPTION	DATE	DWN	APVD
		B		ECR-12-012115	26OCT12	EL	WK

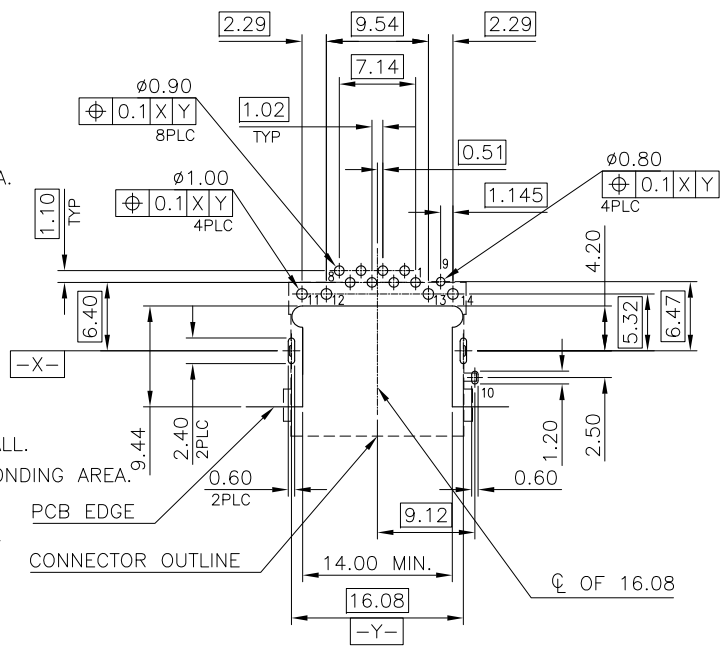


LED ELECTRICAL CHARACTERISTIC			
NO.	NODE	COLOR	WAVEFORM
LED1	11(+)	12(-)	YELLOW 11- ∇ -12
LED2	13(+)	14(-)	GREEN 13- ∇ -14



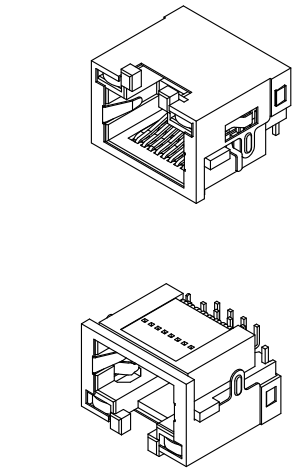
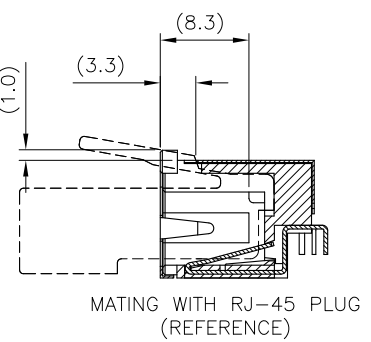
NOTES:

- MATERIAL:
 - HOUSING : PA9T WITH 30% GF, UL94 V-0; COLOR: BLACK.
 - INSERT HOUSING: PA46 WITH 30% GF, UL94 V-0; COLOR: BLACK.
 - CONTACT: PHOSPHOR BRONZE.
 - SWITCH: PHOSPHOR BRONZE.
 - SHELL: BRASS.
 - LED SOLDER TAIL: STEEL.
- FINISH:
 - CONTACT:
 - GOLD PLATED (SEE TABLE) ON CONTACT AREA.
 - GOLD FLASH ON SOLDER TAIL AREA.
 - 1.27 μ m [50 μ "] MIN. NICKEL UNDERPLATED OVERALL.
 - SWITCH: 1.27 μ m [50 μ "] MIN. NICKEL PLATED.
 - SHELL: 0.508 μ m [20 μ "] MIN. NICKEL PLATED.
 - LED SOLDER TAIL:
 - 1.016 μ m [40 μ "] COPPER UNDERPLATED OVERALL.
 - 1.27 μ m [50 μ "] NICKEL OVERALL.
 - 1.27 μ m [50 μ "] SILVER ON BONDING AREA.
 - 2.54 μ m [100 μ "] BRIGHT-TIN ON SOLDER AREA.
- WAVE SOLDER CAPABLE TO 265°C PER TE SPEC. 109-202, CONDITION B.



RECOMMENDED PCB LAYOUT
 RECOMMENDED PCB THICKNESS: 1.6mm.
 TOLERANCE: ± 0.05 (TOP VIEW)

OBSOLETE	1.37 μ m [50 μ "]	-1775748-4
	0.762 μ m [30 μ "]	-1775748-3
	0.381 μ m [15 μ "]	-1775748-2
	0.152 μ m [6 μ "]	1775748-1
	MIN. GOLD THICKNESS	PART NUMBER

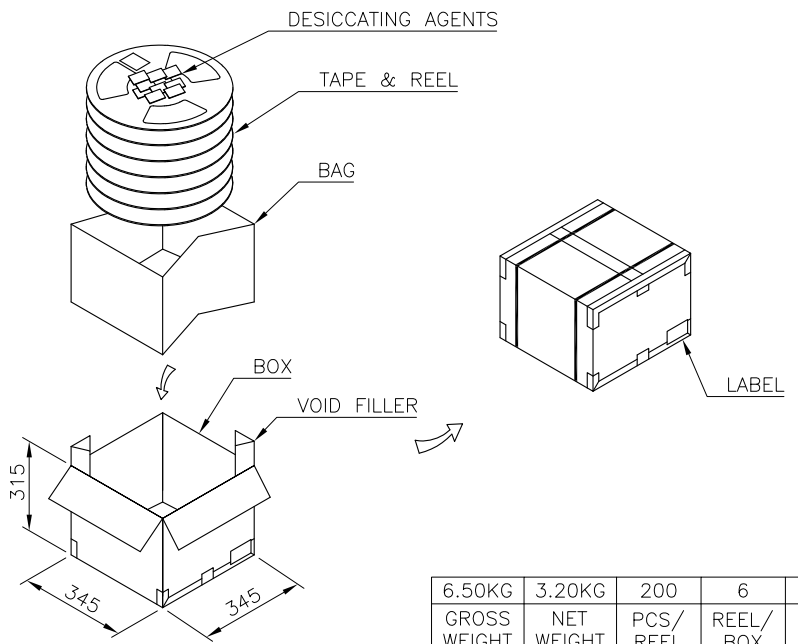
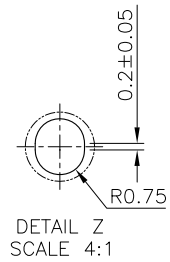
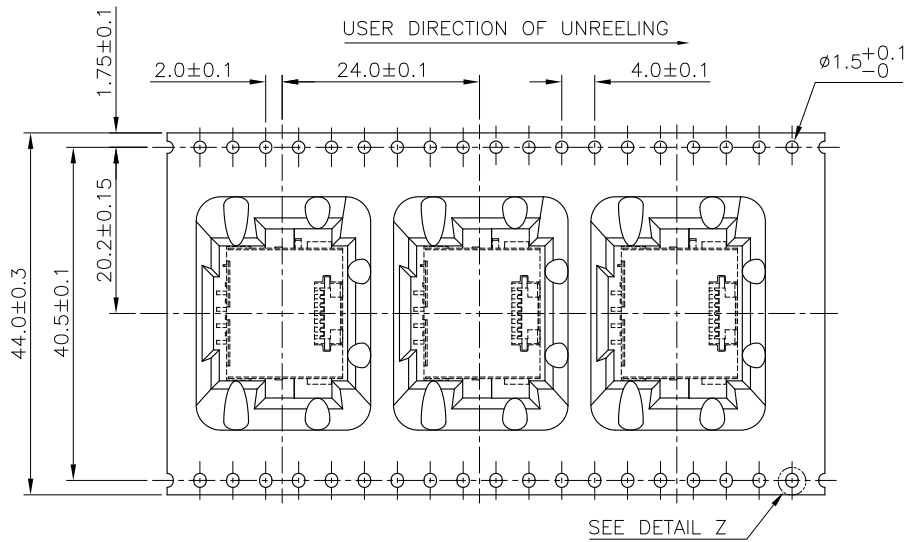
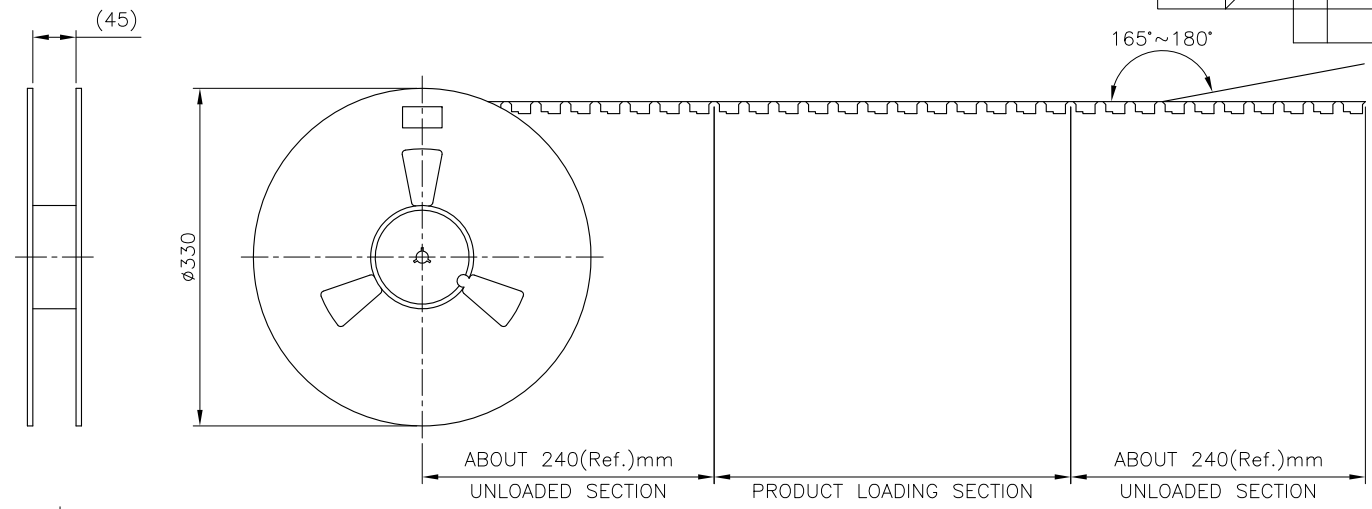


THIS DRAWING IS A CONTROLLED DOCUMENT.		DWN	B. HSING	07JAN2009	TE Connectivity NAME MODULAR JACK, RJ45, DIP, WITH SWITCH
DIMENSIONS: mm		CHK	S. CHIEN	07JAN2009	
TOLERANCES UNLESS OTHERWISE SPECIFIED:		APVD	W. KODAMA	07JAN2009	
0 PLC $\pm -$ 1 PLC ± 0.3 2 PLC ± 0.2 3 PLC ± 0.15 4 PLC $\pm -$ ANGLES $\pm -$ 3'		PRODUCT SPEC	108-57742		
MATERIAL	SEE NOTE	FINISH	SEE NOTE	WEIGHT	2.67 GRAMS
CUSTOMER DRAWING		SCALE	SHEET		1 OF 2
		REV		B	

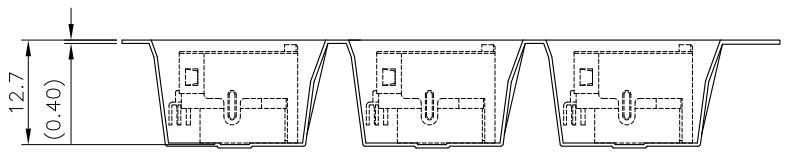
THIS DRAWING IS UNPUBLISHED. RELEASED FOR PUBLICATION
 © COPYRIGHT 2011 BY TYCO ELECTRONICS CORPORATION. ALL RIGHTS RESERVED.

LOC DW	DIST	REVISIONS			
P	LTR	DESCRIPTION	DATE	DWN	APVD
		SEE SHEET 1.			

- NOTE:
- EACH BAG SHALL BE INCLUDED:
*DESICCANT
 - PEELING STRENGTH: 0.1~1.3N(1~130 GRAMS)
FOR 12~56mm WIDE CARRIER TAPES
 - PEELING SPEED: 300mm/MINUTES.
 - PACKAGING MATERIAL:
 - COVER TAPE—COMPOSITE OF POLYETHYLENE TEREPHTHALATE (PET)
 - CARRIER—POLYSTYRENE (PS)
 - CARRIER REEL—POLYSTYRENE



6.50KG	3.20KG	200	6	1200
GROSS WEIGHT	NET WEIGHT	PCS/ REEL	REEL/ BOX	PCS/ BOX



THIS DRAWING IS A CONTROLLED DOCUMENT.

DIMENSIONS: mm	TOLERANCES UNLESS OTHERWISE SPECIFIED: 0 PLC ± 1 PLC ±0.3 2 PLC ±0.2 3 PLC ±0.15 4 PLC ± ANGLES ± 3'	DWN CHK APVD PRODUCT SPEC APPLICATION SPEC WEIGHT	NAME MODULAR JACK, RJ45, DIP, WITH SWITCH
MATERIAL	FINISH	SIZE A3	CAGE CODE 00779
		DRAWING NO 1775748	RESTRICTED TO
CUSTOMER DRAWING		SCALE	SHEET 2 of 2 REV B

单击下面可查看定价，库存，交付和生命周期等信息

[>>TE Connectivity\(泰科\)](#)