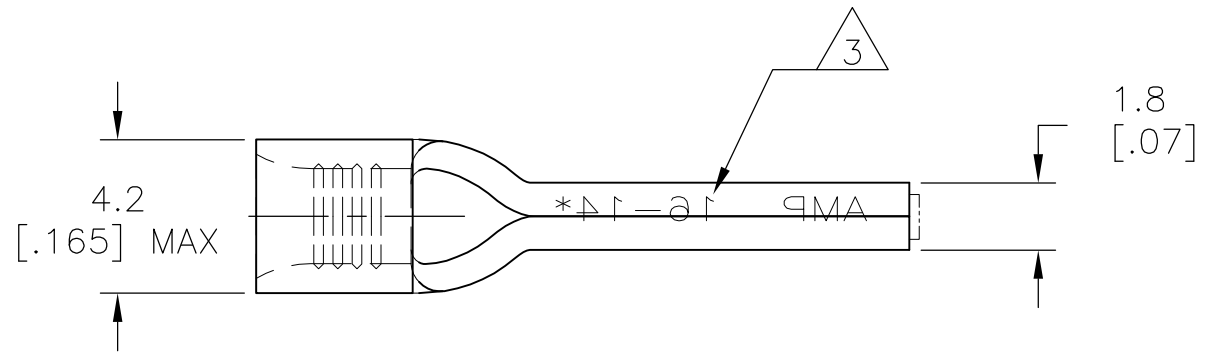
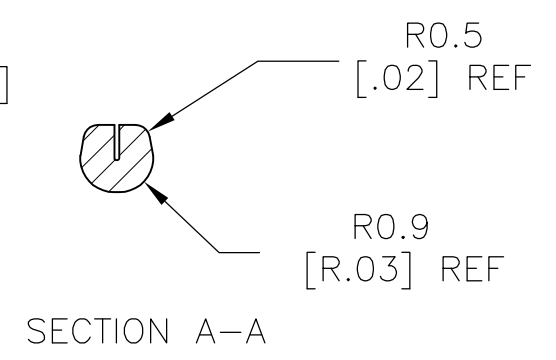
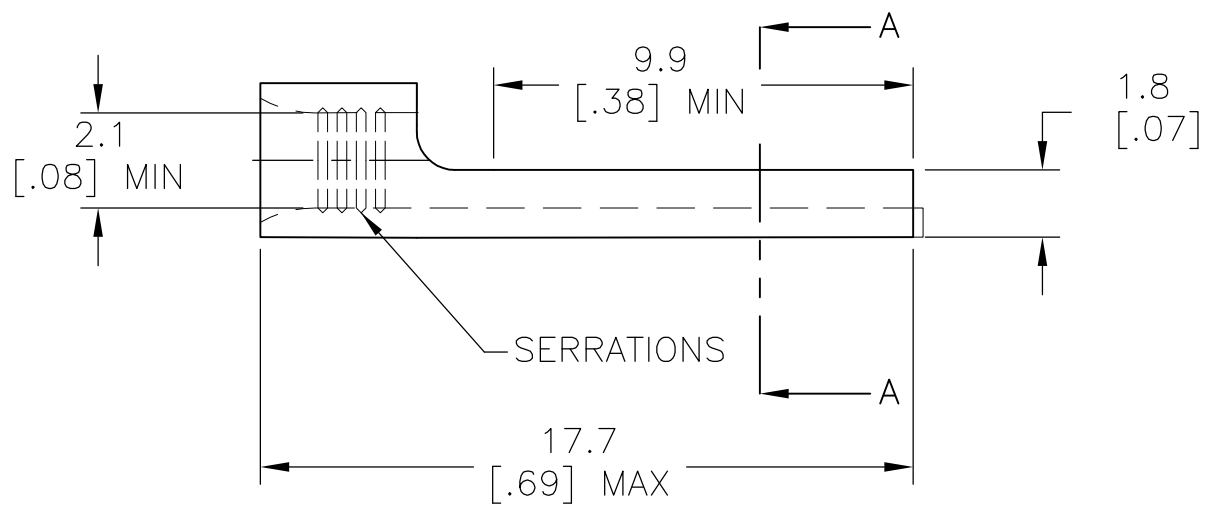


THIS DRAWING IS UNPUBLISHED. RELEASED FOR PUBLICATION
 © COPYRIGHT - By - ALL RIGHTS RESERVED.

LOC	DIST	REVISIONS			
P	LTR	DESCRIPTION	DATE	DWN	APVD
G	86	D1	REVISED PER ECO-14-003208	17MAR2014	NK DR



- 1 TIN PLATE 0.00254[.000100] MIN EXT THK PER ASTM B545
- 2 OPERATING TEMP 170°C[338°F] MAX
- 3 STAMP AMP 16-14* APPROX AS SHOWN



1000	LOOSE PIECE	1	COPPER PER ASTM B-152	165170
QTY	PACKAGE TYPE	FINISH	MATERIAL	PART NO

THIS DRAWING IS A CONTROLLED DOCUMENT.		DWN JR RUTH 31MAY07	TE Connectivity SOLISTRAND WIRE PIN (LONG) 16-14			
DIMENSIONS: mm [INCHES]		CHK T MICHELUTTI 31MAY07				NAME
TOLERANCES UNLESS OTHERWISE SPECIFIED:		APVD T MICHELUTTI 31MAY07				PRODUCT SPEC
0 PLC ± - 1 PLC ± - 2 PLC ± - 3 PLC ± - 4 PLC ± - ANGLES ± -		APPLICATION SPEC				RESTRICTED TO
MATERIAL	FINISH	WEIGHT	SIZE A3	CAGE CODE 00779	DRAWING NO C-165170	
CUSTOMER DRAWING			SCALE 5:1	SHEET 1 OF 1	REV D1	

单击下面可查看定价，库存，交付和生命周期等信息

[>>TE Connectivity\(泰科\)](#)