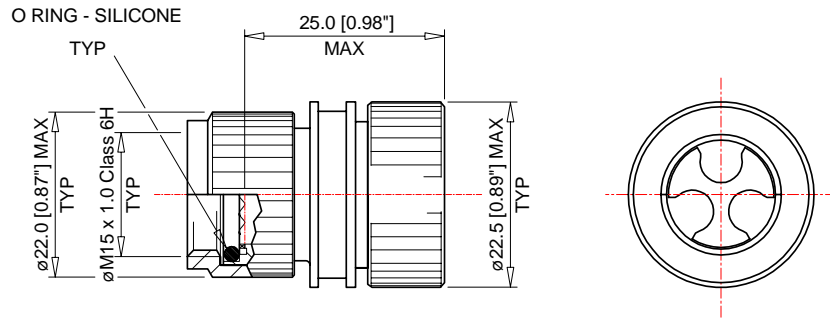


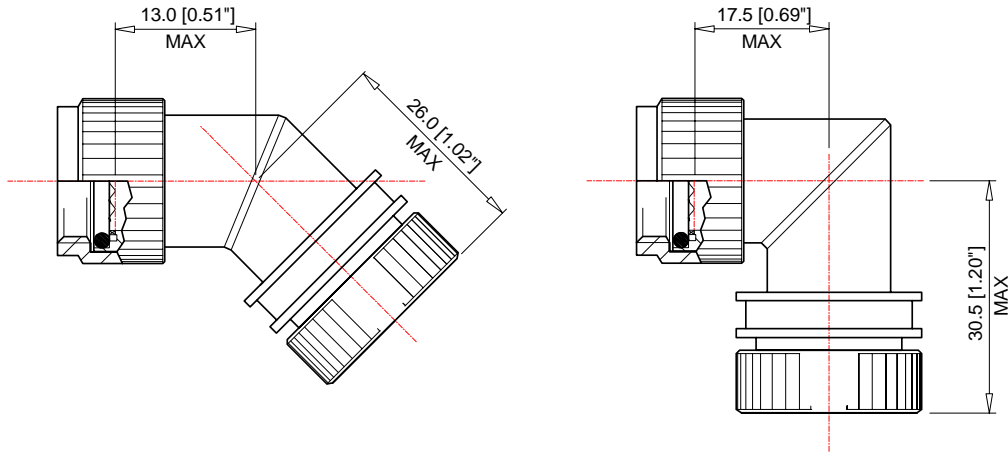
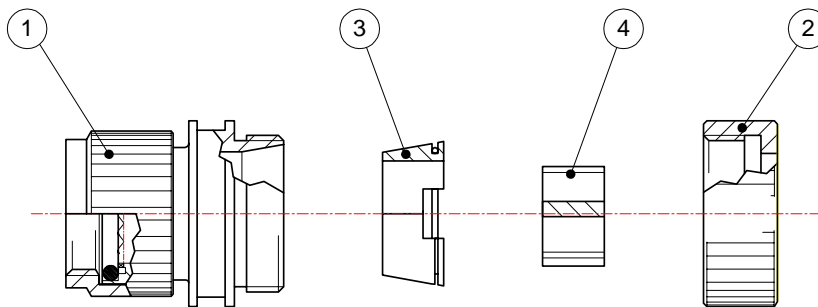
# CUSTOMER DRAWING

REV:  
A

DATE:  
Aug 21, 2008




**STRAIGHT ADAPTOR**  
-00



**45° ADAPTOR**  
-45

**90° ADAPTOR**  
-90

 <p><b>Raychem</b> Wire and Harnessing Products 300 Constitution Drive Menlo Park, CA 94025, USA</p>		<p>TITLE: <b>HEXASHIELD ADAPTOR FOR CODE 40 CONNECTOR O/NO B 11 ENTRY SIZE A3 PLAIN CLAMPING NUT</b></p>		
<p>UNLESS OTHERWISE SPECIFIED DIMENSIONS ARE IN MILLIMETERS. INCH DIMENSIONS ARE SHOWN IN BRACKETS</p>		<p>Tyco Electronics reserves the right to amend this drawing at any time. Users should evaluate the suitability of the product for their application.</p>		<p>DOCUMENT NO. <b>HEX40-KC-YY-11-A3-1</b></p>
<p>DRAWN: IRT</p>	<p>DATE: AUG 2003</p>	<p>DCR#: <b>ECO-08-019355</b></p>	<p>FILE: 87002/11-A3</p>	<p>SCALE: NONE</p>
			<p>SHEET: 1 OF 3</p>	

If this document is printed it becomes uncontrolled. Check for the latest revision.

© 2008 Tyco Electronics Corporation. All rights reserved

# CUSTOMER DRAWING

REV:  
A

DATE:  
Aug 21, 2008

## KIT DESCRIPTION

ITEM	DESCRIPTION	MATERIAL
1	BODY ASSEMBLY	STAINLESS STEEL
2	CLAMPING NUT - PLAIN	STAINLESS STEEL
3	CONIC RING	STAINLESS STEEL
4	STAR - PLAIN	STAINLESS STEEL

## PART NUMBERING

HEX40 - K C - 00 - 11 - A3 - 1

- CONNECTOR CODE NUMBER \_\_\_\_\_  
HEX40 = MIL-DTL-38999 SERIES III AND IV
- MATERIAL CODE: \_\_\_\_\_  
K = STAINLESS STEEL
- PLATING CODE: \_\_\_\_\_  
C = ELECTROLESS NICKEL TO SAE-AMS-C-26074
- BODY STYLE \_\_\_\_\_  
00 = STRAIGHT  
45 = 45°  
90 = 90°
- ORDER NUMBER \_\_\_\_\_
- FERRULE QUANTITY CODE \_\_\_\_\_
- 1 = PLAIN CLAMPING NUT \_\_\_\_\_

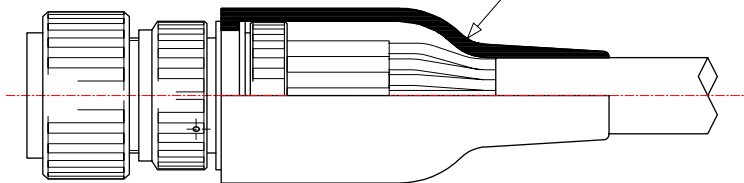
## APPLICATION


- These adaptors are designed to be mounted on the following connectors:

MIL-DTL-38999 Series III and IV Shell Size B (11)

- They are qualified to the Raychem specification RB-114, when installed on metallic Mil-Specification circular connectors only.
- They are designed primarily for open wire bundle installation but are also designed to accept Raychem heat shrink moulded parts where strain relief is required – see illustration.

MOULDED PART



		<b>Raychem</b> Wire and Harnessing Products 300 Constitution Drive Menlo Park, CA 94025, USA		TITLE: <b>HEXASHIELD ADAPTOR FOR CODE 40 CONNECTOR O/NO B 11 ENTRY SIZE A3 PLAIN CLAMPING NUT</b>	
UNLESS OTHERWISE SPECIFIED DIMENSIONS ARE IN MILLIMETERS. INCH DIMENSIONS ARE SHOWN IN BRACKETS		Tyco Electronics reserves the right to amend this drawing at any time. Users should evaluate the suitability of the product for their application.		DOCUMENT NO. <b>HEX40-KC-YY-11-A3-1</b>	
DRAWN: IRT	DATE: AUG 2003	DCR#: <b>ECO-08-019355</b>	FILE: 87002/11-A3	SCALE: NONE	SHEET: 2 OF 3

If this document is printed it becomes uncontrolled. Check for the latest revision.

© 2008 Tyco Electronics Corporation. All rights reserved

# CUSTOMER DRAWING

REV:  
A

DATE:  
Aug 21, 2008

- Use in conjunction with ferrules HET-A-0XX, which are purchased separately. Refer to HET-A-0XX S.C.D. for relevant selection details.

## **INSTALLATION**


-See Installation Procedure RPIP-696-04 (straight bodies) or RPIP-696-07 (45° and 90° bodies) for assembly.  
-See Installation Procedure RPIP-696-00 for shield termination.

## **PACKAGING**

- All components are supplied in a plastic bag.

## **NOTES!**

1. Assembly is to be permanently marked with Code Identity Number and Part Number.  
(e.g. 06090 HEX40-KC-00-11-A3-1)

 <b>Raychem</b> Wire and Harnessing Products 300 Constitution Drive Menlo Park, CA 94025, USA		TITLE: <b>HEXASHIELD ADAPTOR FOR CODE 40 CONNECTOR O/NO B 11 ENTRY SIZE A3 PLAIN CLAMPING NUT</b>			
UNLESS OTHERWISE SPECIFIED DIMENSIONS ARE IN MILLIMETERS. INCH DIMENSIONS ARE SHOWN IN BRACKETS		Tyco Electronics reserves the right to amend this drawing at any time. Users should evaluate the suitability of the product for their application.		DOCUMENT NO. <b>HEX40-KC-YY-11-A3-1</b>	
DRAWN: IRT	DATE: AUG 2003	DCR#: <b>ECO-08-019355</b>	FILE: 87002/11-A3	SCALE: NONE	SHEET: 3 OF 3

If this document is printed it becomes uncontrolled. Check for the latest revision.

© 2008 Tyco Electronics Corporation. All rights reserved

单击下面可查看定价，库存，交付和生命周期等信息

[>>TE Connectivity\(泰科\)](#)