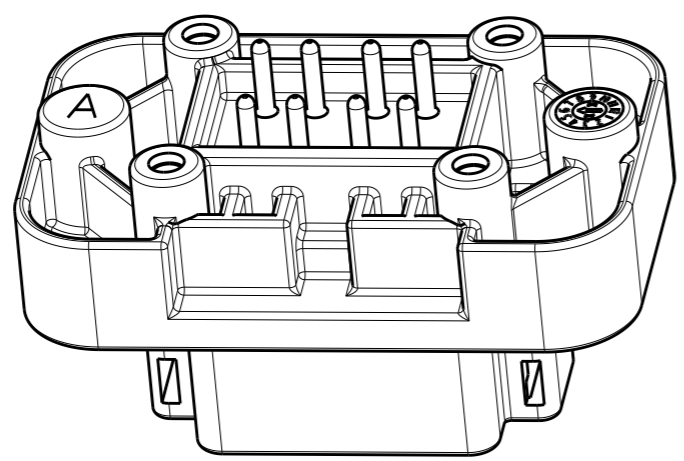
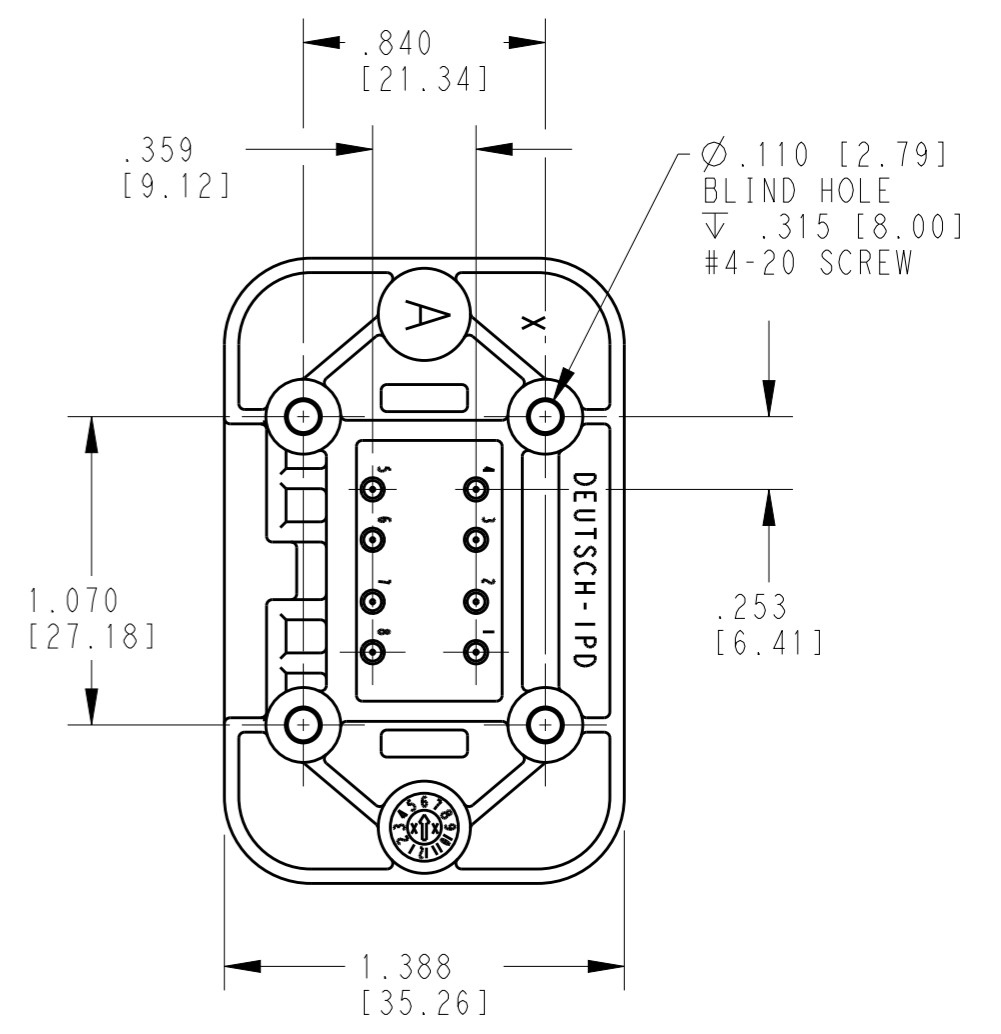
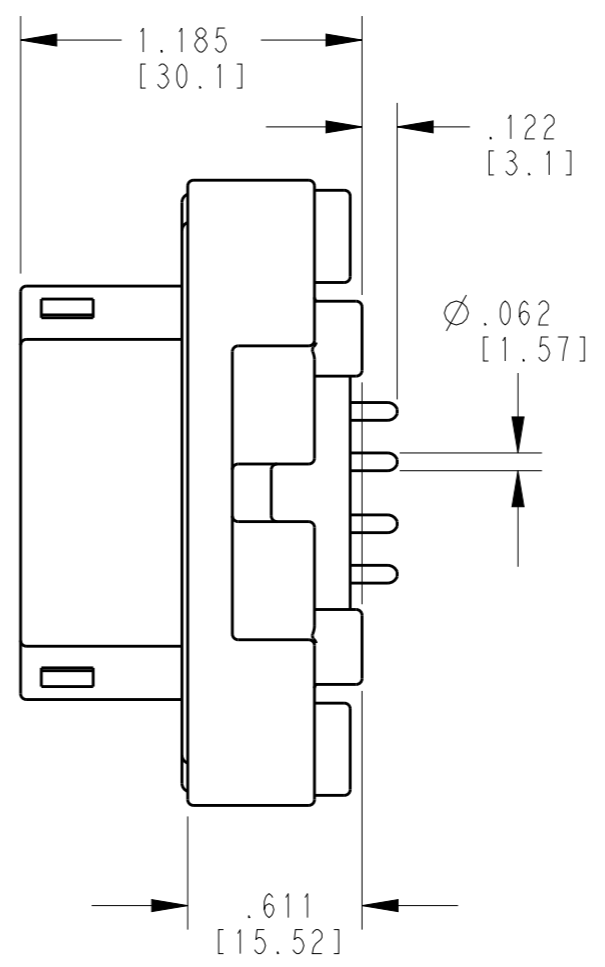
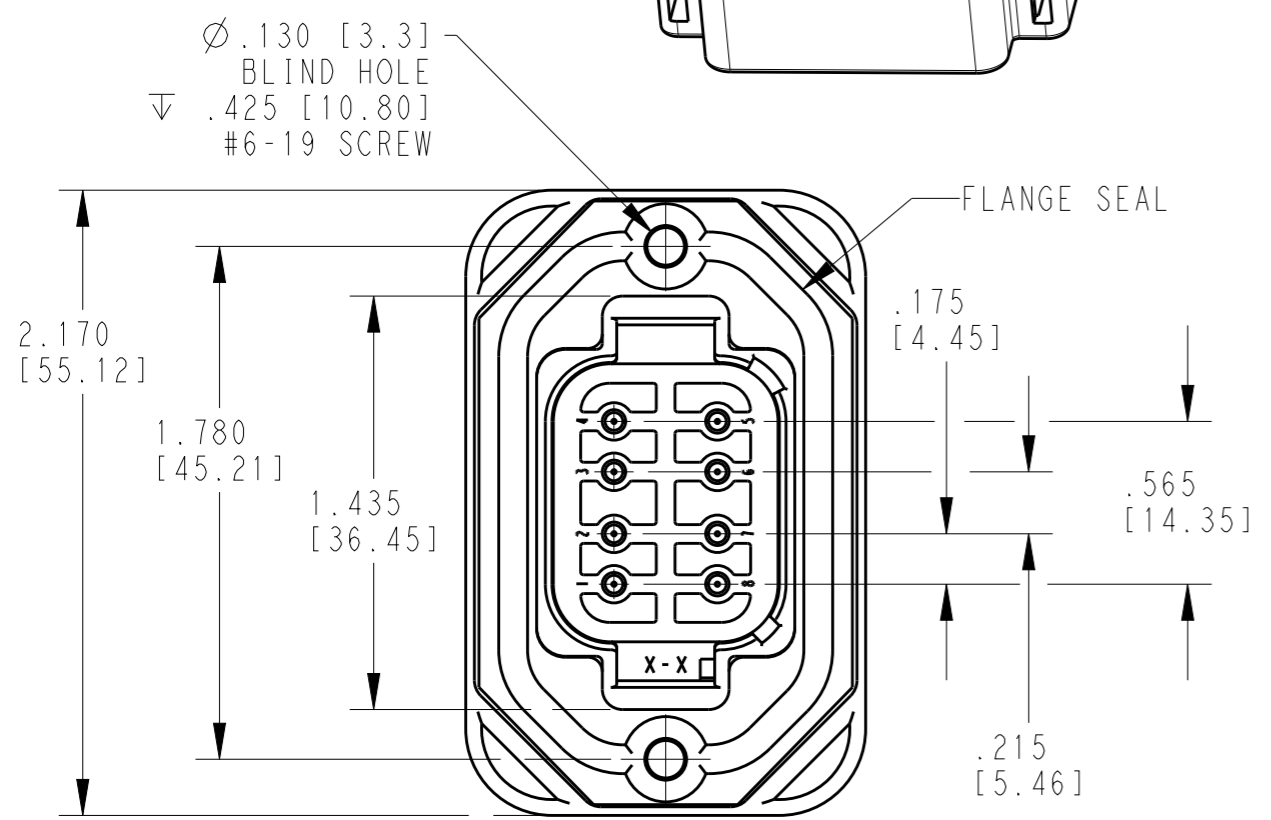


REVISIONS					
P	LTR	DESCRIPTION	DATE	DWN	APVD
	E	REVISED PER PCN E-19-016091	17OCT2019	KP	DM



3D VIEW



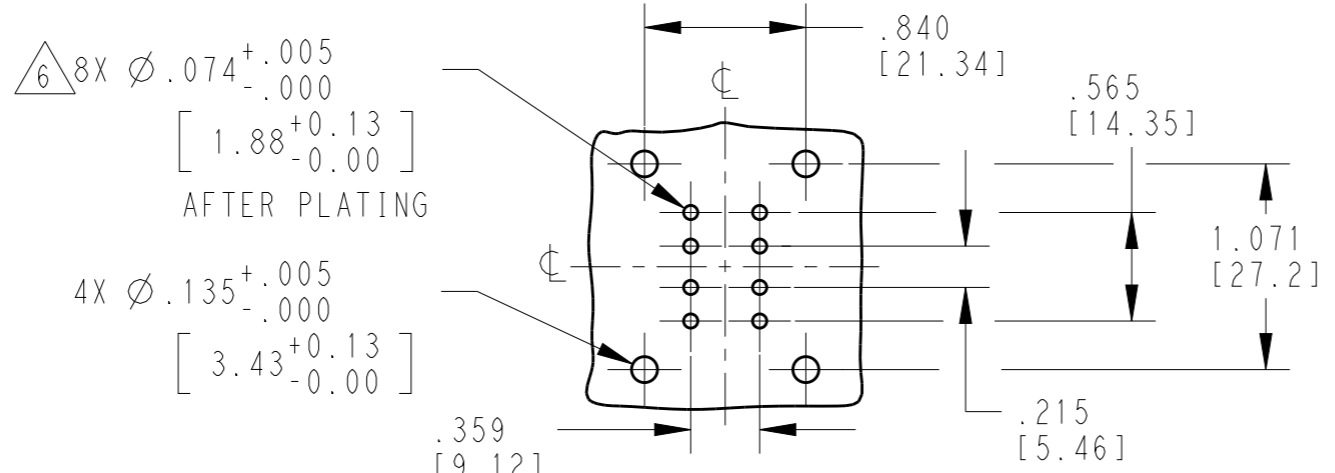
- 6 MINIMUM RECOMMENDED HOLE SIZE. CUSTOMER TO DETERMINE FINISHED HOLE SIZE BASED ON SOLDER PROCESS.
- 5. MOUNTING SCREW TORQUE VALUES ARE AS FOLLOWS:  
 #6-19 SCREWS: 13±2.0 IN-LB [1.47±.23 N-M].  
 #4-20 SCREWS: 8±2.0 IN-LB [.90±.23 N-M].  
 VALUES VALID FOR PLASTITE 48 SCREWS ONLY.
- 4. RECOMMENDED MOUNTING SCREWS (NOT INCLUDED): CAMCAR PLASTITE 48.
- 3. THIS RECEPTACLE MATES WITH DT06-08SX-XXXX PLUG (XXXX = ALL MODIFICATIONS.)
- 2 SHELL MATERIAL: PA46 GF30 (GRAY); FLANGE SEAL MATERIAL: SILICONE. CONTACT PLATING- MATING SIDE :NICKLE; PCB SIDE: TIN
- 1 DIMENSION TOLERANCE: ±.025 [.64]; PANEL CUTOUT ±.010 [.25]  
 PIN LOCATIONS: ±.005 [.13]; MOUNTING HOLE LOCATIONS: ±.005 [.13]  
 PCB LAYOUT: ±.005 [.13]

TCPN	ALIAS PART NUMBER
DT15-08PA	DT15-08PA
DT15-08PB	DT15-08PB
DT15-08PC	DT15-08PC
DT15-08PD	DT15-08PD

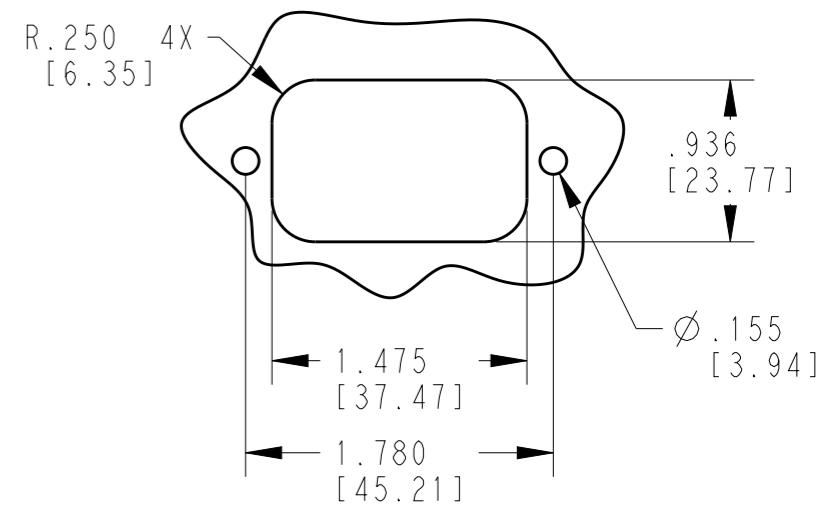
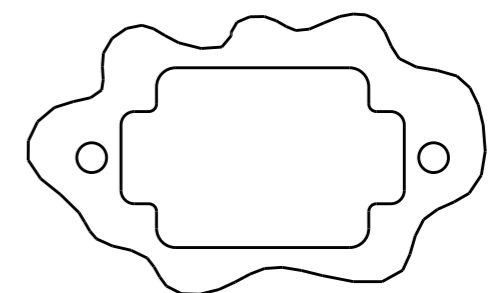
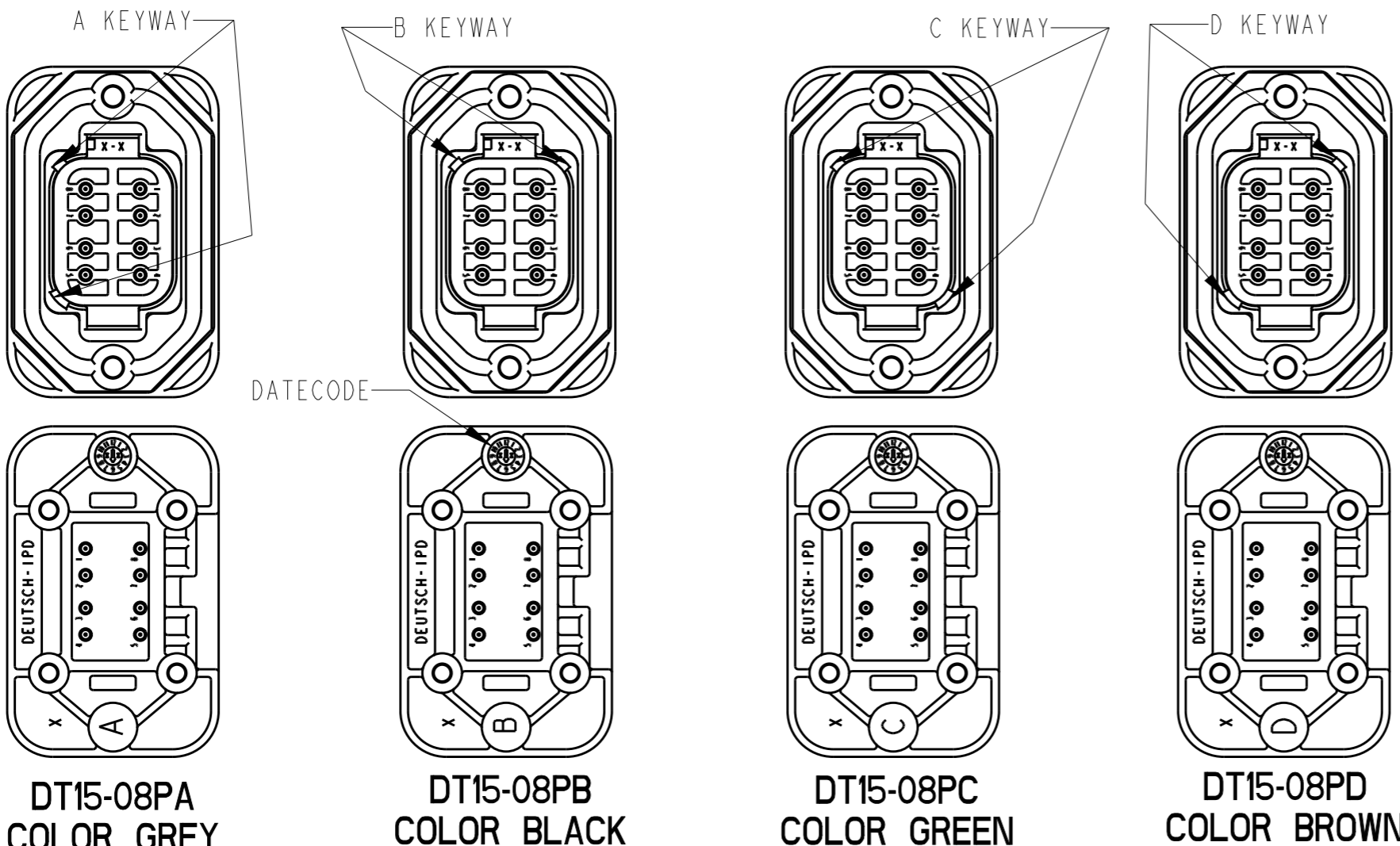
THIS DRAWING IS A CONTROLLED DOCUMENT.		DWN K. MCKEE 20OCT2006		
DIMENSIONS: INCHES [mm]		CHK J. APOSTOL 16NOV2006		
TOLERANCES UNLESS OTHERWISE SPECIFIED:		APVD S. BEARD 14NOV2006	NAME PCB MOUNT RECEPTACLE 8 PINS STRAIGHT DT SERIES	
0 PLC ± 1 PLC ± 2 PLC ± 3 PLC ± 4 PLC ± ANGLES ±1°		PRODUCT SPEC 108-151009	RESTRICTED TO	
MATERIAL		APPLICATION SPEC	SIZE A3	CAGE CODE 4AFU8
FINISH		WEIGHT 26g	DRAWING NO DT15-08-PX	
		CUSTOMER DRAWING	SCALE 1:1	SHEET 1 OF 2
			REV E	

NOTES:

REVISIONS					
P	LTR	DESCRIPTION	DATE	DWN	APVD
-	-	SEE SHEET 1	-	-	-



RECOMMENDED PCB LAYOUT



THIS DRAWING IS A CONTROLLED DOCUMENT.		DWN K. MCKEE 20OCT2006	<b>TE Connectivity</b>		
DIMENSIONS: INCHES [mm]		CHK J. APOSTOL 16NOV2006			
TOLERANCES UNLESS OTHERWISE SPECIFIED:		APVD S. BEARD 14NOV2006	NAME PCB MOUNT RECEPTACLE 8 PINS STRAIGHT DT SERIES		
0 PLC ± 1 PLC ± 2 PLC ± 3 PLC ± 4 PLC ± ANGLES ±1°		PRODUCT SPEC 108-151009	RESTRICTED TO		
MATERIAL		APPLICATION SPEC	SIZE A3	CAGE CODE 4AFU8	DRAWING NO DT15-08-PX
FINISH		WEIGHT 26g	SCALE 1:1		
		CUSTOMER DRAWING	SHEET 2 OF 2		REV E

单击下面可查看定价，库存，交付和生命周期等信息

[>>TE Connectivity\(泰科\)](#)