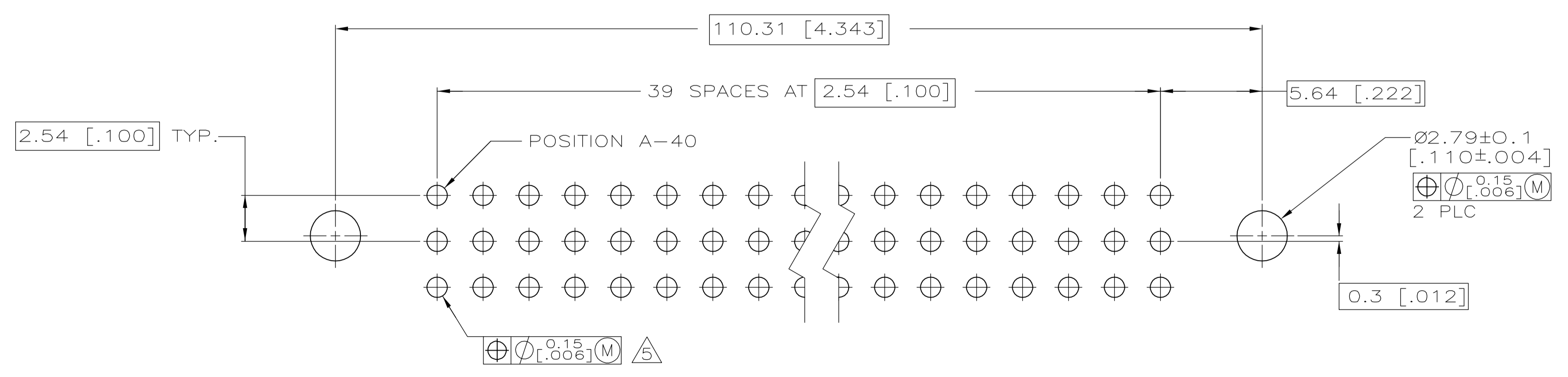
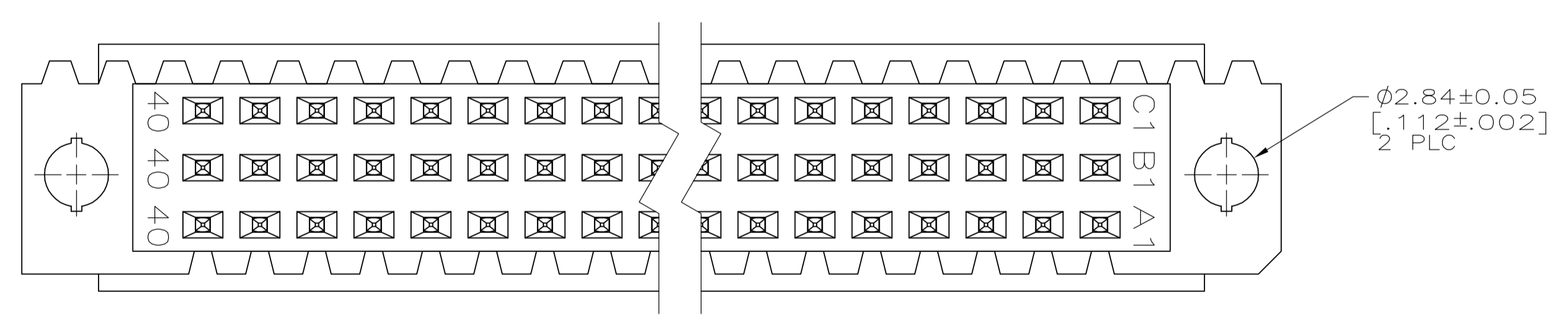
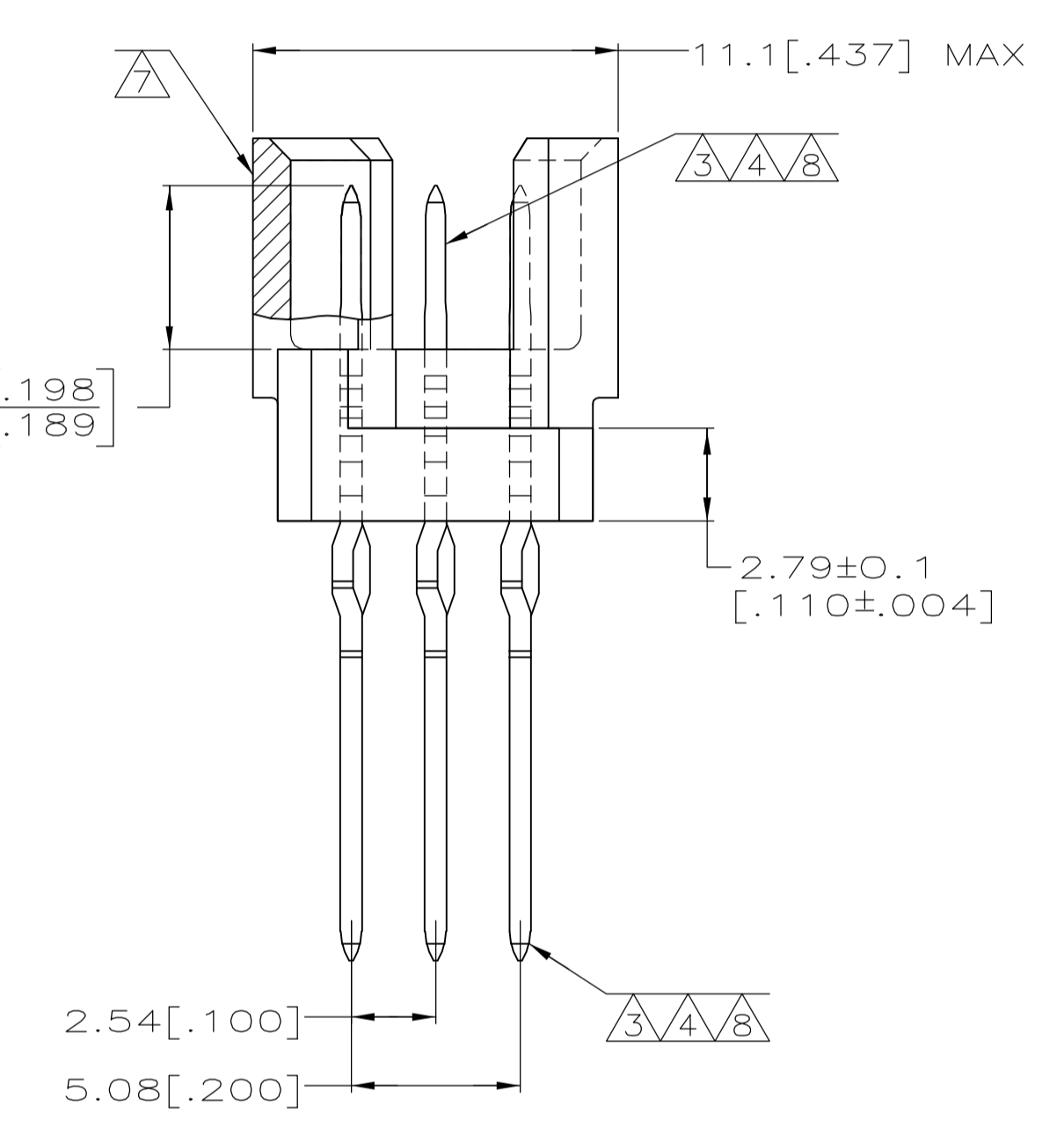
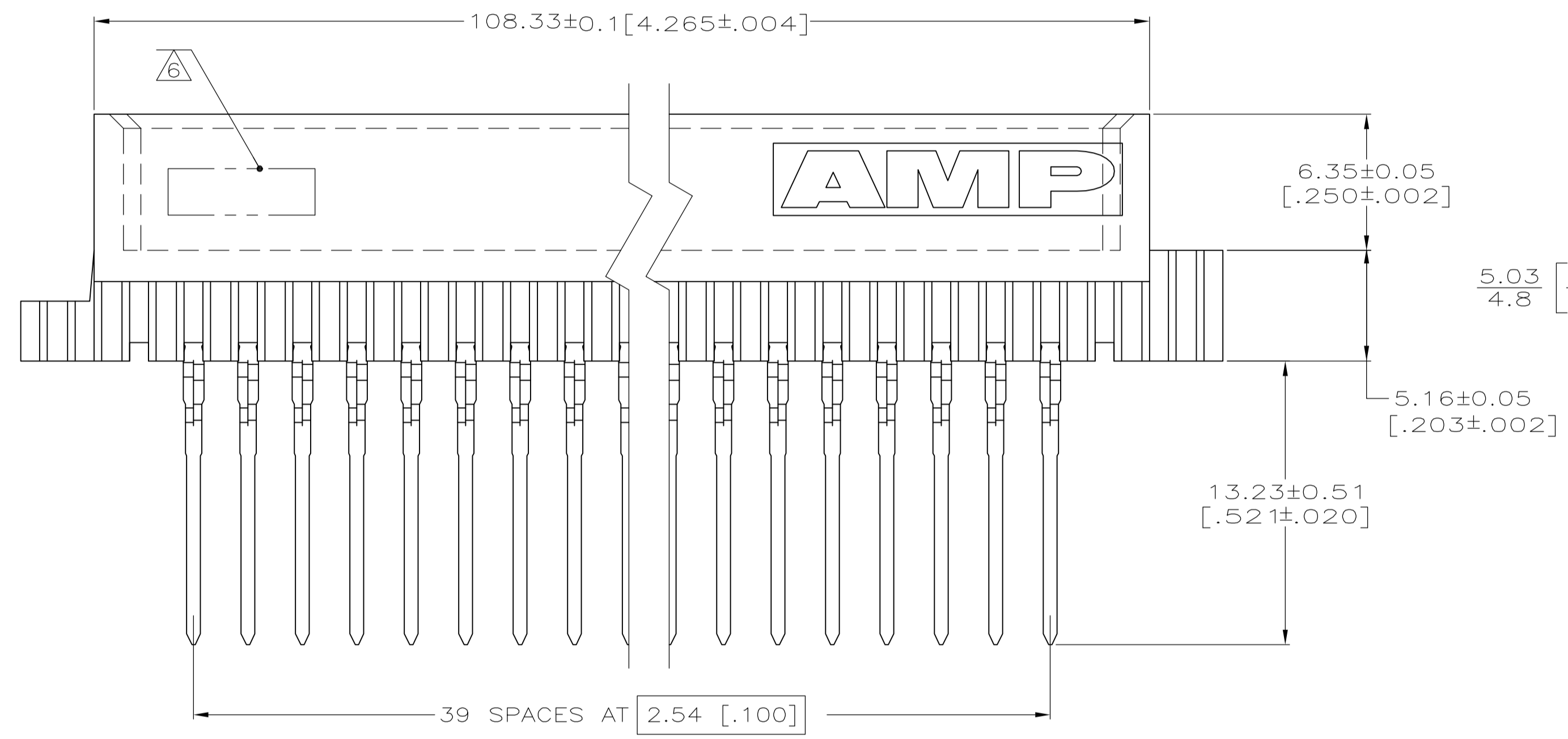


- 1 HOUSING MATERIAL: GLASS-FILLED POLYESTER. COLOR: GRAY.
- 2 POST MATERIAL: PHOSPHOR BRONZE.
- 3 POST FINISH: DIN 41612 CLASS 3 IN CONTACT AREA. TIN-LEAD PLATE ON POSTS.
- 4 POST FINISH: DIN 41612 CLASS 2 IN CONTACT AREA. TIN-LEAD PLATE ON POSTS.
- 5 ACTION PIN POSTS REQUIRE 2.36 [.093] MINIMUM THICK PC BOARD. RECOMMENDED PC BOARD HOLES ARE 1.151 [.0453] DIA PLATED THROUGH WITH 0.02-0.08 [.001-.003] COPPER AND 0.008 [.0003] MINIMUM TIN-LEAD PLATING. FINISHED HOLE AFTER PLATING, 0.94-1.09 [.037-.043] DIA.
- 6 PART NUMBER, DATE CODE MARKED THIS APPROXIMATE AREA.
- 7 MARKING ON THIS SIDE.
- 8 POST FINISH DIN 41612 CLASS 2 IN CONTACT AREA AND LAST 5.08 [.200] OF THE POST.



PC BOARD LAYOUT

| | | | | | | | |
|----------|---|------------------|---|---|---|------------------------|------------------|
| | 8 | 1-40 | X | X | X | 120 | 1-650920-4 |
| OBSOLETE | 7 | 1-40 | X | X | X | 120 | 650920-9 |
| OBSOLETE | 4 | 1-40 | X | X | X | 120 | 650920-5 |
| NOTES | | POSITIONS LOADED | C | B | A | NO. OF LOADED POSITION | ASSY PART NUMBER |

THIS DRAWING IS A CONTROLLED DOCUMENT.

| | | | |
|-------------------------|--|----------------------------|---|
| DIMENSIONS: mm [INCHES] | TOLERANCES UNLESS OTHERWISE SPECIFIED: | DIN L. BRINER 18MAR91 | tyco Electronics Tyco Electronics Corporation Harrisburg, PA 17105-3608 |
| 0 PLC ± - | 1 PLC ± - | CHK D.C. RUBENDALL 26MAR91 | NAME D.C. RUBENDALL 26MAR91 |
| 2 PLC ± - | 3 PLC ± 0.13 [.005] | PRODUCT SPEC | PIN ASSEMBLY, EUROCARD, TYPE R |
| 4 PLC ± - | ANGLES ± - | APPLICATION SPEC | SIZE CAGE CODE DRAWING NO. RESTRICTED TO |
| MATERIAL | FINISH | WEIGHT | A1 00779 C=650920 |
| 1 2 | 3 4 8 | CUSTOMER DRAWING | SCALE 5:1 SHEET 1 OF 1 REV K |

单击下面可查看定价，库存，交付和生命周期等信息

[>>TE Connectivity\(泰科\)](#)