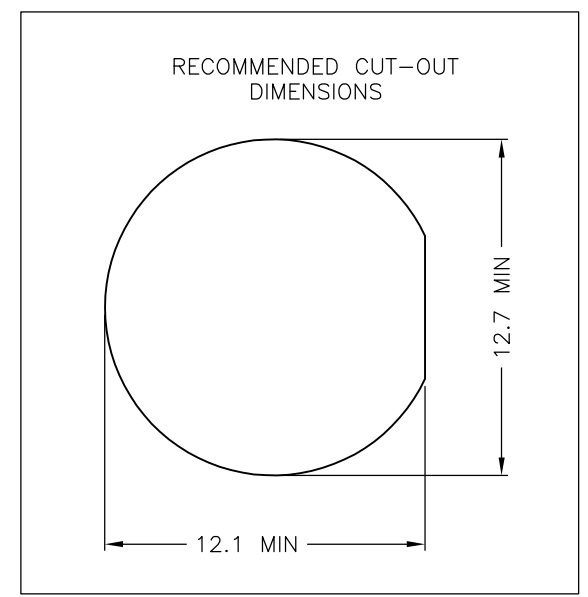
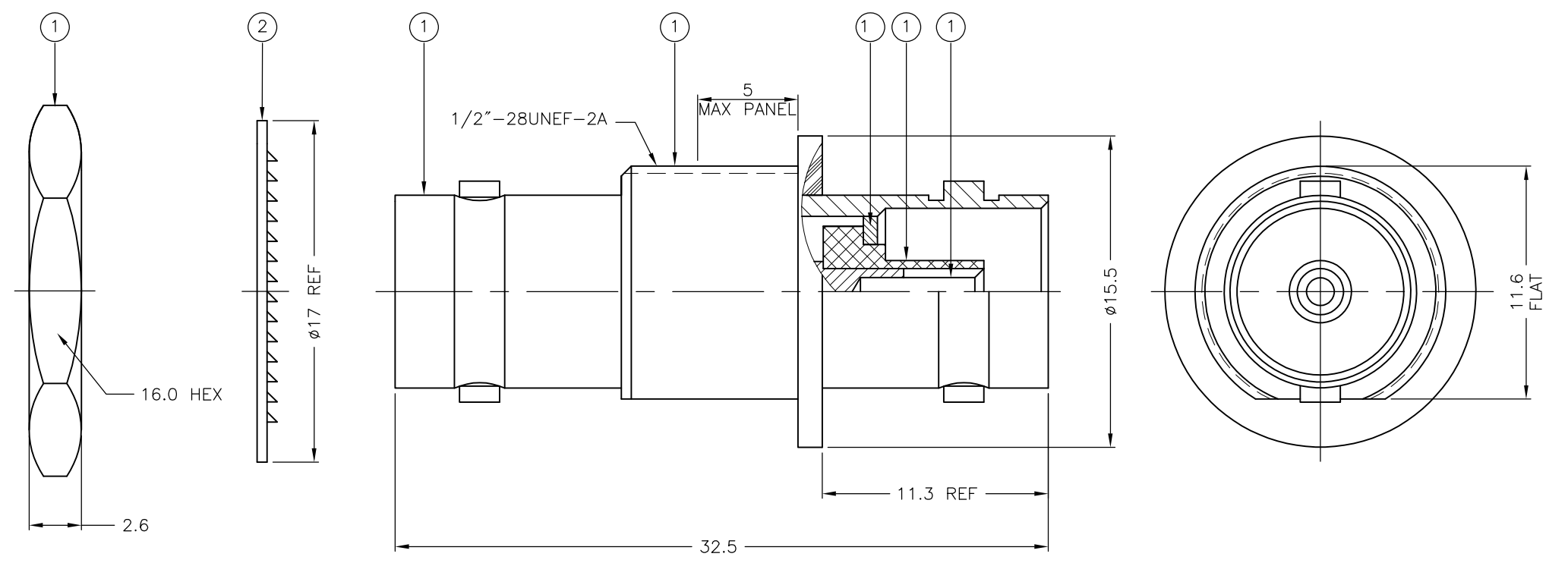


THIS DRAWING IS UNPUBLISHED. RELEASED FOR PUBLICATION DEC ,2005.
 © COPYRIGHT 2005 By - ALL RIGHTS RESERVED.

LOC	DIST	REVISIONS			
P	LTR	DESCRIPTION	DATE	DWN	APVD
E	B	B	ECO-14-000450	13APR2014	RZ MY

- NOTES:**
- ① SINGLE PACKING: ONE CONNECTOR PER LABELED BAG PACKAGED. LABELED PER TEC-107-115
 - ② TRAY PACKAGED
 - ③ Ni PLATING
 - ④ Au PLATING
5. ELECTRICAL CHARACTERISTICS
- | | |
|-------------------------------|----------------------------|
| FREQUENCY RANGE: | DC - 1 GHz |
| NOMINAL IMPEDANCE: | 75 Ohm |
| INSULATION RESISTANCE: | 5000 MOhm |
| WORKING VOLTAGE: | 500 Volts RMS at Sea Level |
| DIELECTRIC WITHSTAND VOLTAGE: | 1500 Volts RMS Max |
| CONTACT RESISTANCE: | |
| CENTER CONTACT: | 1.50 mOhm Max |
| OUTER CONTACT: | 1.00 mOhm Max |
| VSWR @ 0.3 GHz: | 1.8 Max |
| INSERTION LOSS @ 0.3 GHz: | 0.8 dB MAX |
6. MECHANICAL CHARACTERISTICS
- DURABILITY: 500 Cycles Min
7. ENVIRONMENTAL CHARACTERISTICS
- OPERATING TEMPERATURE: -40 to +60 DegC
8. SUPPLIED SEMI-ASSEMBLED (PACK CONTAINS LOOSE PIECES)



QTY	QTY PER ASSY	MATERIAL	DESCRIPTION	ITEM
1	1	BRASS	CENTER CONTACT	7
2	2	POM	DIELECTRIC	6
1	1	BRASS	WASHER	5
1	1	ABS	ISOLATOR	4
1	1	BRASS	BODY	3
1	1	STEEL	LOCKWASHER	2
1	1	BRASS	NUT	1
6--0	1--0	MATERIAL	DESCRIPTION	ITEM

THIS DRAWING IS A CONTROLLED DOCUMENT.		DWN R GOODALL 12-9-01	STE TE Connectivity	
DIMENSIONS: mm		CHK F W-KING 12-9-01		
TOLERANCES UNLESS OTHERWISE SPECIFIED:		APVD F W-KING 12-9-01	NAME BNC INSULATED BULKHEAD ADAPTOR JACK 75 OHM	
0 PLC ± -		PRODUCT SPEC	APPLICATION SPEC	
1 PLC ± 0.2			SIZE CAGE CODE DRAWING NO RESTRICTED TO	
2 PLC ± 0.1			A3 00779 C-1478238	
3 PLC ± -			SCALE NTS SHEET 1 OF 1 REV B	
4 PLC ± -				
ANGLES ± -				
FINISH -		WEIGHT -		
MATERIAL SEE TABLE		CUSTOMER DRAWING		

单击下面可查看定价，库存，交付和生命周期等信息

[>>TE Connectivity\(泰科\)](#)