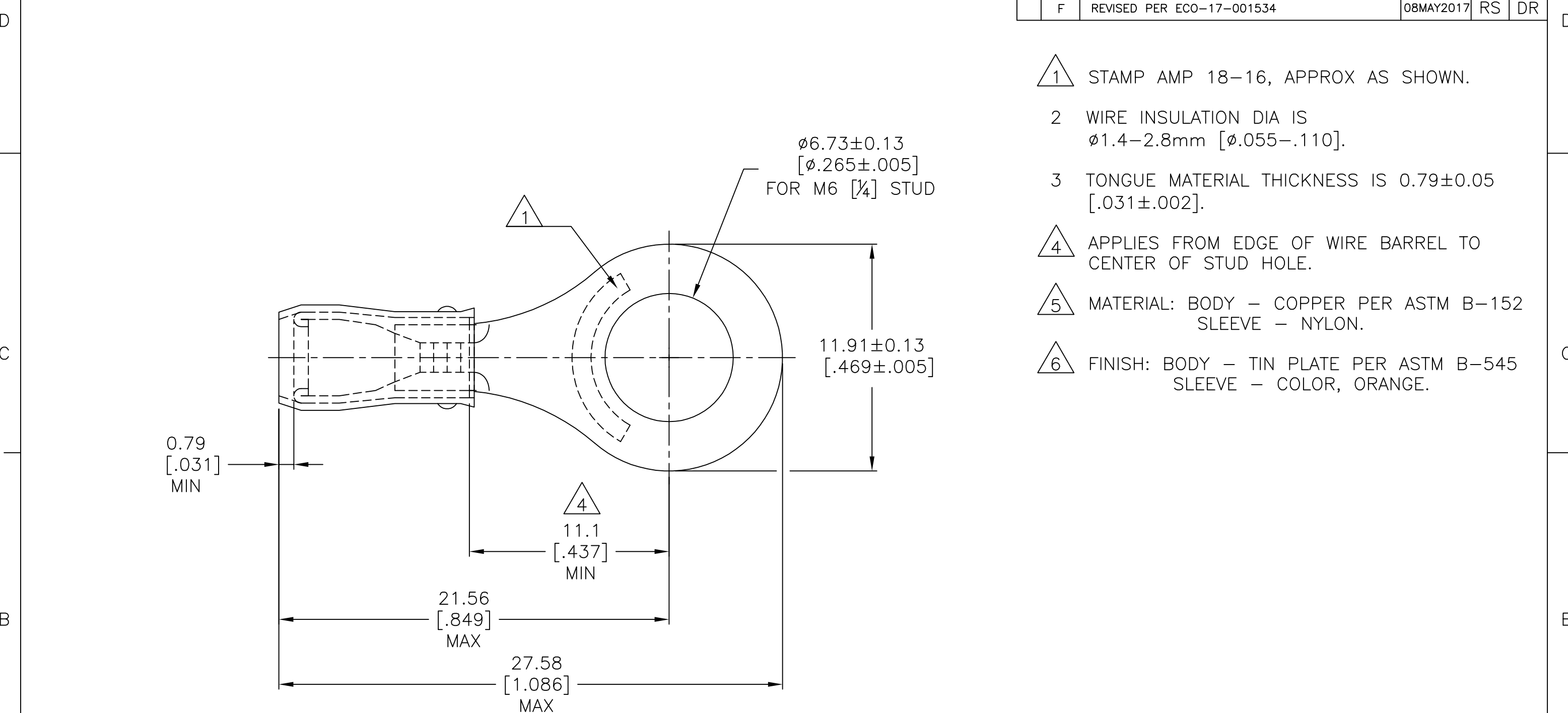


REVISIONS					
P	LTR	DESCRIPTION	DATE	DWN	APVD
	E1	REV PER ECR 07-014387	19JUN07	JR	TM
	F	REVISED PER ECO-17-001534	08MAY2017	RS	DR



- 1 STAMP AMP 18-16, APPROX AS SHOWN.
- 2 WIRE INSULATION DIA IS $\phi 1.4-2.8\text{mm}$ [$\phi .055-.110$].
- 3 TONGUE MATERIAL THICKNESS IS 0.79 ± 0.05 [$.031 \pm .002$].
- 4 APPLIES FROM EDGE OF WIRE BARREL TO CENTER OF STUD HOLE.
- 5 MATERIAL: BODY - COPPER PER ASTM B-152 SLEEVE - NYLON.
- 6 FINISH: BODY - TIN PLATE PER ASTM B-545 SLEEVE - COLOR, ORANGE.

1000	LOOSE PIECE	152879
QTY	PACKAGE TYPE	PART NO.

AMP INCORPORATED CUSTOMER SERVICE SYSTEMS		MAX RECOMMENDED OPERATING TEMPERATURE: 105°C [221°F]	THIS DRAWING IS A CONTROLLED DOCUMENT.		DWN JR RUTH 19JUN2007	TE Connectivity			
FOR ADDITIONAL PRODUCT INFORMATION OR COPIES OF DRAWINGS AND TECHNICAL DOCUMENTS	PRODUCT INFORMATION CENTER 1-800-522-6752	VOLTAGE RATING: 300 V MAX	DIMENSIONS: mm [INCHES]	TOLERANCES UNLESS OTHERWISE SPECIFIED:	CHK T MICHELUTTI 19JUN07				
FOR APPLICATION TOOLING INFORMATION	TOOLING ASSISTANCE CENTER 1-800-722-1111	CIRCULAR MIL AREA: 0.81-1.65mm ² [1600-3260] SOLID OR STRANDED		0 PLC ± - 1 PLC ± - 2 PLC ± 0.20 [.008] 3 PLC ± - 4 PLC ± - ANGLES ± -	APVD T MICHELUTTI 19JUN07	PRODUCT SPEC			
FOR ORDER ENTRY	1-800-526-5142	THIS DRAWING IS A CONTROLLED DOCUMENT FOR AMP INCORPORATED. IT IS SUBJECT TO CHANGE AND THE CONTROLLING ENGINEERING ORGANIZATION SHOULD BE CONTACTED FOR THE LATEST REVISION.	MATERIAL	FINISH	PRODUCT SPEC	SIZE	CAGE CODE	DRAWING NO	RESTRICTED TO
			5	6	APPLICATION SPEC	A3	00779	C=152879	-
					WEIGHT	SCALE 5:1		SHEET 1 OF 1	REV F
					CUSTOMER DRAWING				

单击下面可查看定价，库存，交付和生命周期等信息

[>>TE Connectivity\(泰科\)](#)