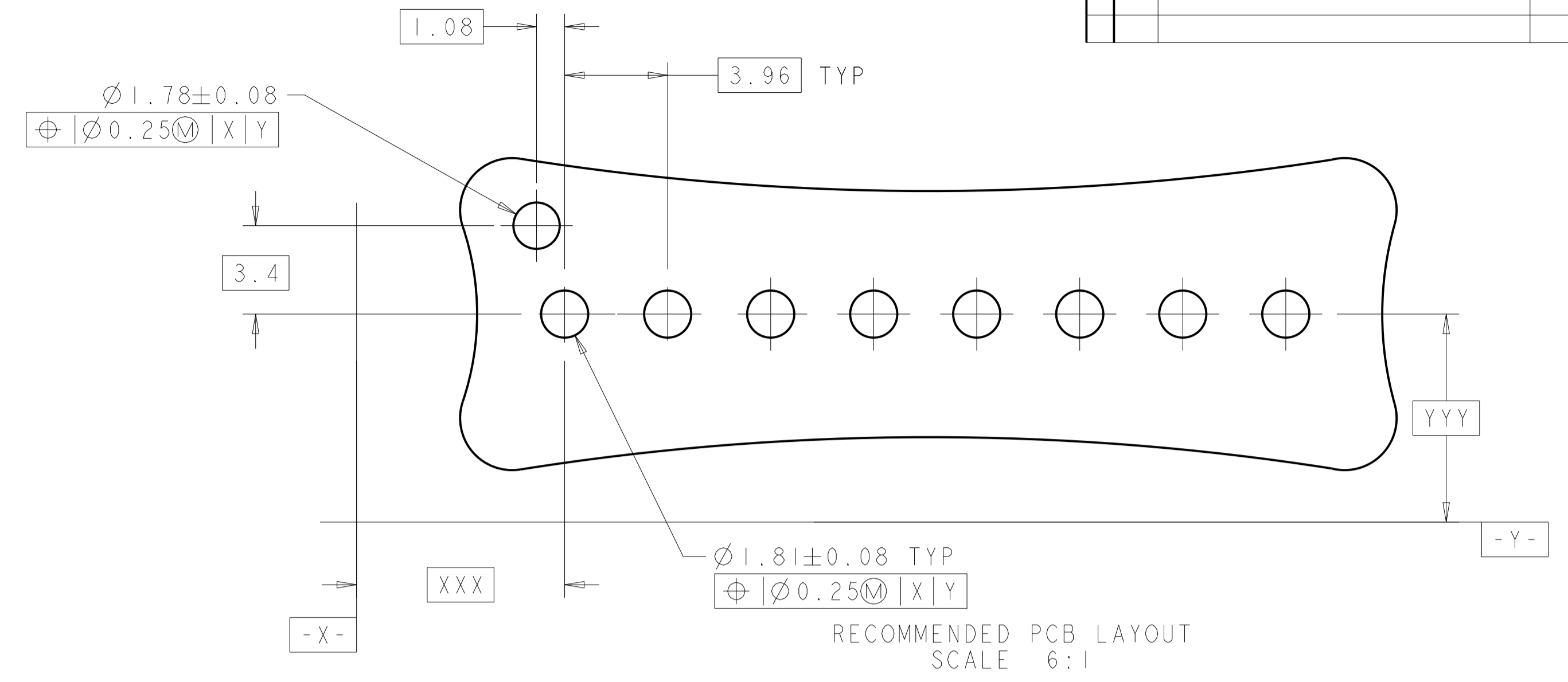
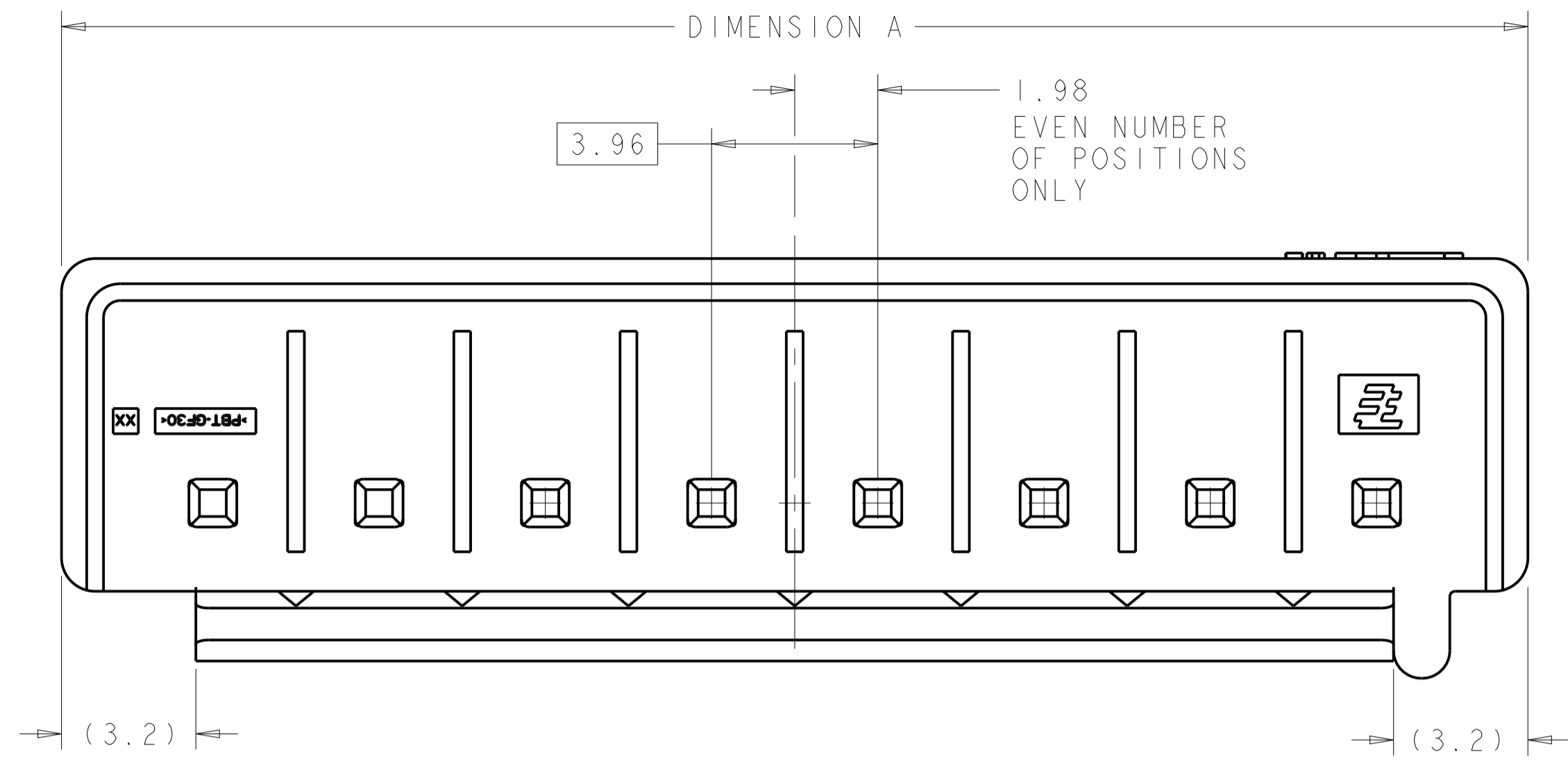
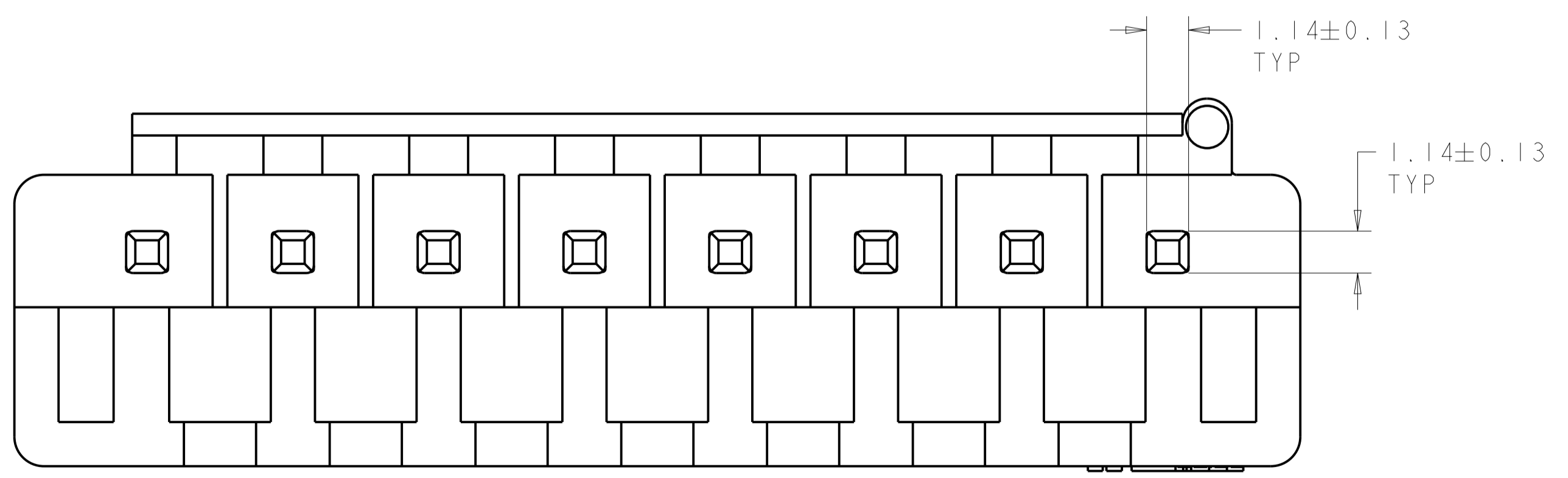
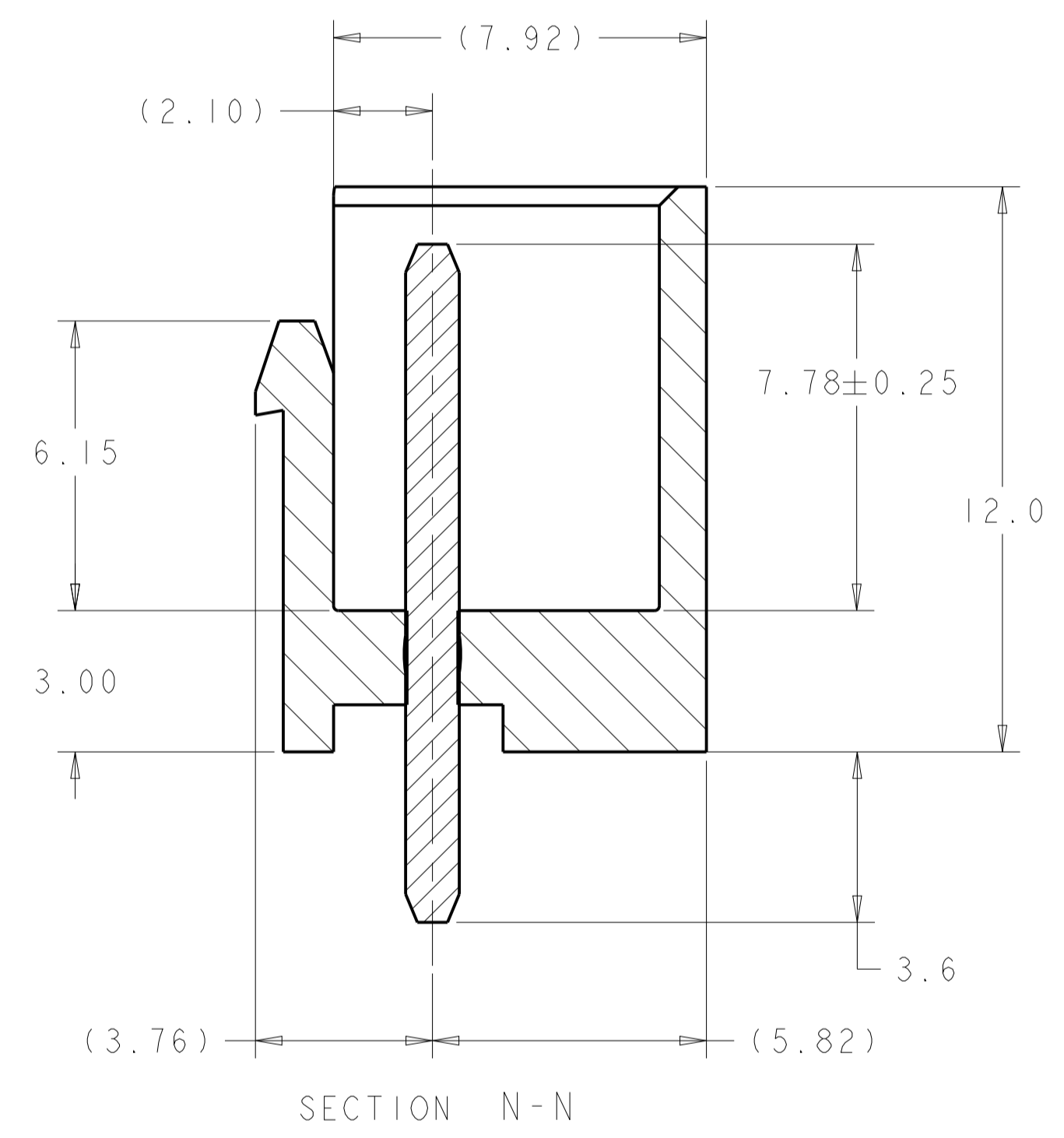
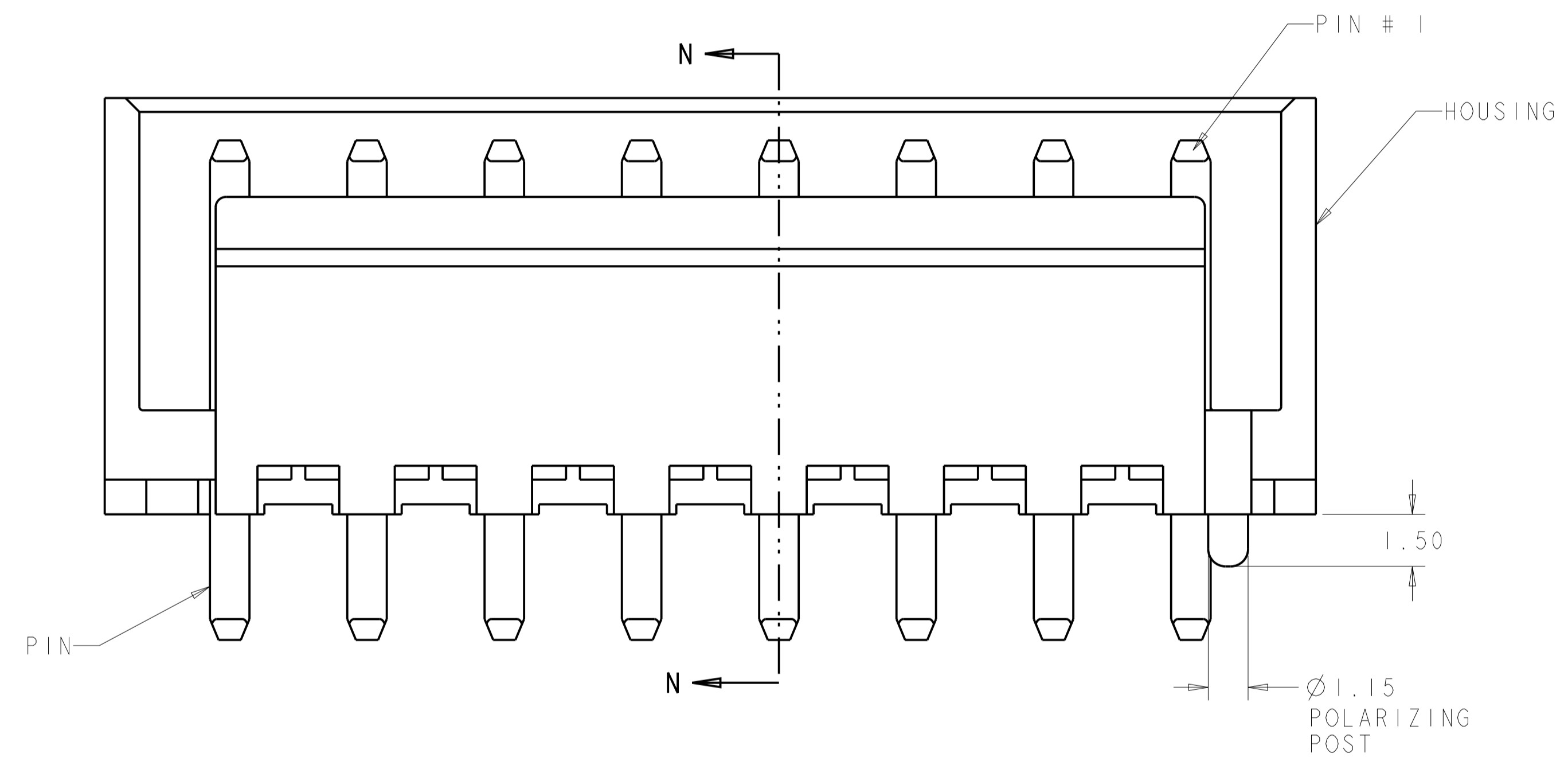


LOC	DIST	REV	DATE	BY	CHK	APPV
GP	00	A	07MAR2014	NK	TM	



△ MATERIAL: HOUSING; PBT GLASS FILLED UL94V-0
 PIN; BRASS, GRAY

△ FINISH: PIN, 1.0μm MIN TIN OVER 0.8μm MIN NICKEL.



50.77	12	1-1744487-2
46.81	11	1-1744487-1
42.85	10	1-1744487-0
38.89	9	1744487-9
34.93	8	1744487-8
30.97	7	1744487-7
27.01	6	1744487-6
23.05	5	1744487-5
19.09	4	1744487-4
15.13	3	1744487-3
11.17	2	1744487-2
DIM A	POS	ASSEMBLY PART NO

THIS DRAWING IS A CONTROLLED DOCUMENT.

DWN: KIRAN HOLLAL 13AUG2012
 CHK: MACE SAM 13AUG2012
 APVD: MACE SAM 13AUG2012

TOLERANCES UNLESS OTHERWISE SPECIFIED:

0 PLC	±
1 PLC	±0.50
2 PLC	±0.30
3 PLC	±
4 PLC	±
ANGLES	±

MATERIAL: FINISH:

WEIGHT: -

Customer Drawing

SIZE: A1 CAGE CODE: 100779 DRAWING NO: 1744487 RESTRICTED TO: -

SCALE: 8:1 SHEET: 1 OF 1 REV: A

STE TE Connectivity

NAME: SHROUDED HEADER ASSEMBLY, SINGLE LATCH, 3.96mm PITCH, ECONOMY POWER (EP), GRAY

单击下面可查看定价，库存，交付和生命周期等信息

[>>TE Connectivity\(泰科\)](#)