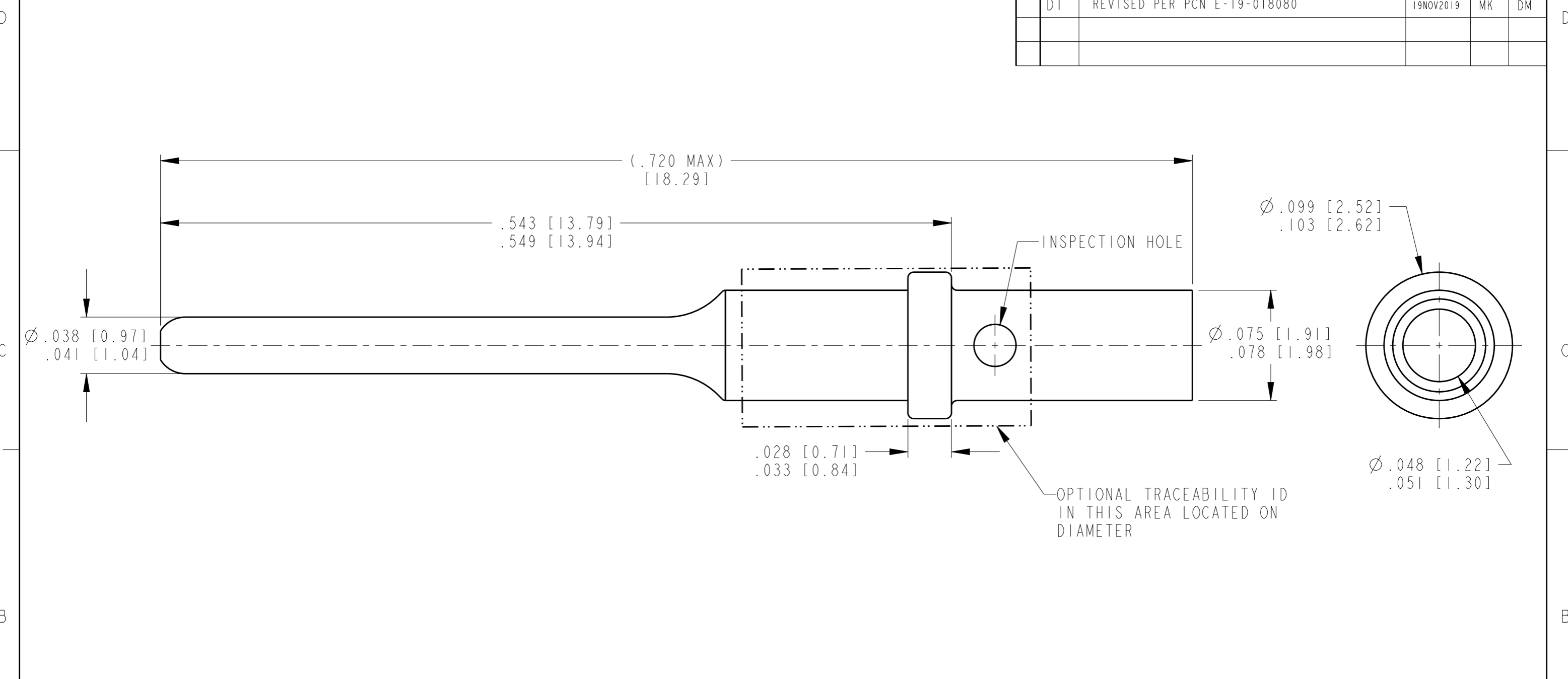


THIS DRAWING IS UNPUBLISHED  
 RELEASED FOR PUBLICATION 2017  
 © COPYRIGHT 1997 BY TE CONNECTIVITY ALL RIGHTS RESERVED.


REVISIONS					
P	LTR	DESCRIPTION	DATE	DWN	APVD
	D	REVISED PER PCN E-18-001206	24JAN2018	JA	DM
	DI	REVISED PER PCN E-19-018080	19NOV2019	MK	DM



TE INTERNAL PN	DEUTSCH PN	PLATING
0460-202-2031	0460-202-2031	GOLD
0460-202-20141	0460-202-20141	NICKEL
0460-202-20309	0460-202-20309	TIN

(DI) I. SEE APPLICATION SPECIFICATION 114-151004 FOR CRIMP TOOLS AND WIRE RANGE

NOTES: UNLESS OTHERWISE SPECIFIED

THIS DRAWING IS A CONTROLLED DOCUMENT.		DWN D. MEYER 18DEC1997	 TE Connectivity	
DIMENSIONS: INCHES [mm]		CHK D. MEYER 02DEC2011		
TOLERANCES UNLESS OTHERWISE SPECIFIED:		APVD R. REED 05DEC2011	NAME CONTACT PIN SIZE 20	
0 PLC ± 1 PLC ± 2 PLC ± 3 PLC ± 4 PLC ± ANGLES ±		PRODUCT SPEC 108-151004	SIZE A3	
MATERIAL		APPLICATION SPEC 114-151004	CAGE CODE 4AFU8	DRAWING NO 0460-202-20XX
FINISH		WEIGHT 0.26g	RESTRICTED TO	
		CUSTOMER DRAWING	SCALE 15:1	SHEET 1 OF 1
			REV DI	

单击下面可查看定价，库存，交付和生命周期等信息

[>>TE Connectivity\(泰科\)](#)