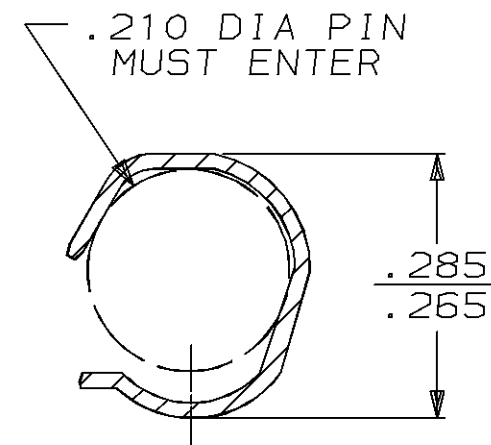
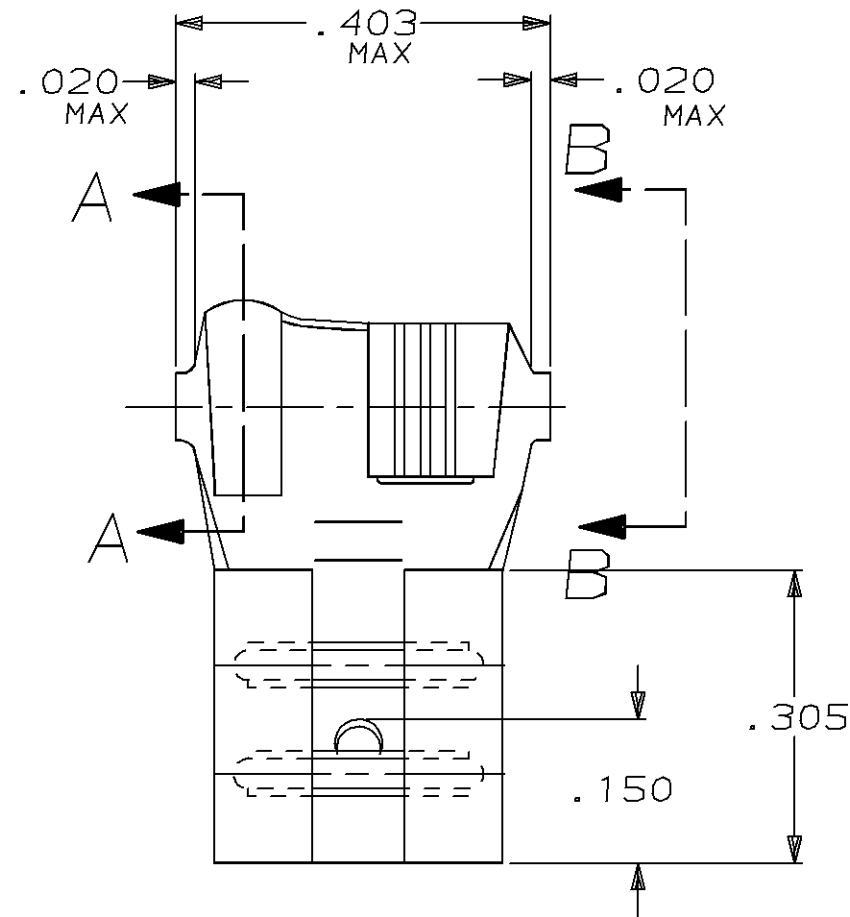
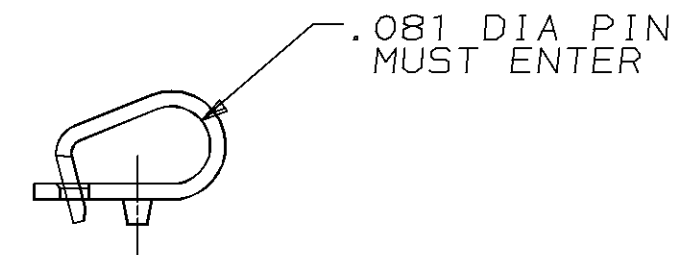


THIS DRAWING IS UNPUBLISHED. RELEASED FOR PUBLICATION, 19
 © COPYRIGHT 19 BY AMP INCORPORATED, HARRISBURG, PA. ALL INTERNATIONAL RIGHTS RESERVED. AMP PRODUCTS MAY BE COVERED BY U.S. AND FOREIGN PATENTS AND/OR PATENTS PENDING.

LOC	DIST	P	F	ZONE	LTR	DESCRIPTION	DATE	APPROVED
AF	50				A	ADDED NOTES 3 & 4 PER 0551-94	11/2/94	JR/PD



SECTION A-A



VIEW B-B

- 1 WIRE AND INSULATION BARRELS TO BE PREFORMED AS SHOWN IN CUT OFF OPERATION.
- 2 SUPPLIED IN LOOSE PIECE.
- 3 FOREIGN PRODUCTION ONLY.
- 4 MAKE FROM P/N 41800

	2.79-5.33 [.110-.210]	0.8-3.0mm ² [18-12]	0.81 [.032]	42015
	INSULATION RANGE	WIRE SIZE	±0.025 [±.001] TAB THK	PART NO
UNLESS OTHERWISE SPECIFIED DIMENSIONS ARE IN MM TOLERANCES ON: 2 PL DEC ± - 3 PL DEC ± 0.38 [.015] ANGLES ± -	DR	11/16/93 JR RUTH	AMP AMP INCORPORATED Harrisburg, Pa. 17105	
	CHK	11/16/93 MS FEHER		
MATERIAL T3 PHOS BRZ	APPD	11/16/93 P DESANTIS	NAME RECEPTACLE, FASTON, TM FLAG, .250 SERIES	
	APPD	11/16/93 R REINER	SIZE B	FSCM NO 00779
FINISH TIN	PRODUCT SPEC	-	DRAWING NO 42015	
	APPLICATION SPEC	-	SCALE NTS	SHEET 1 OF 1
	WEIGHT	-		

单击下面可查看定价，库存，交付和生命周期等信息

[>>TE Connectivity\(泰科\)](#)