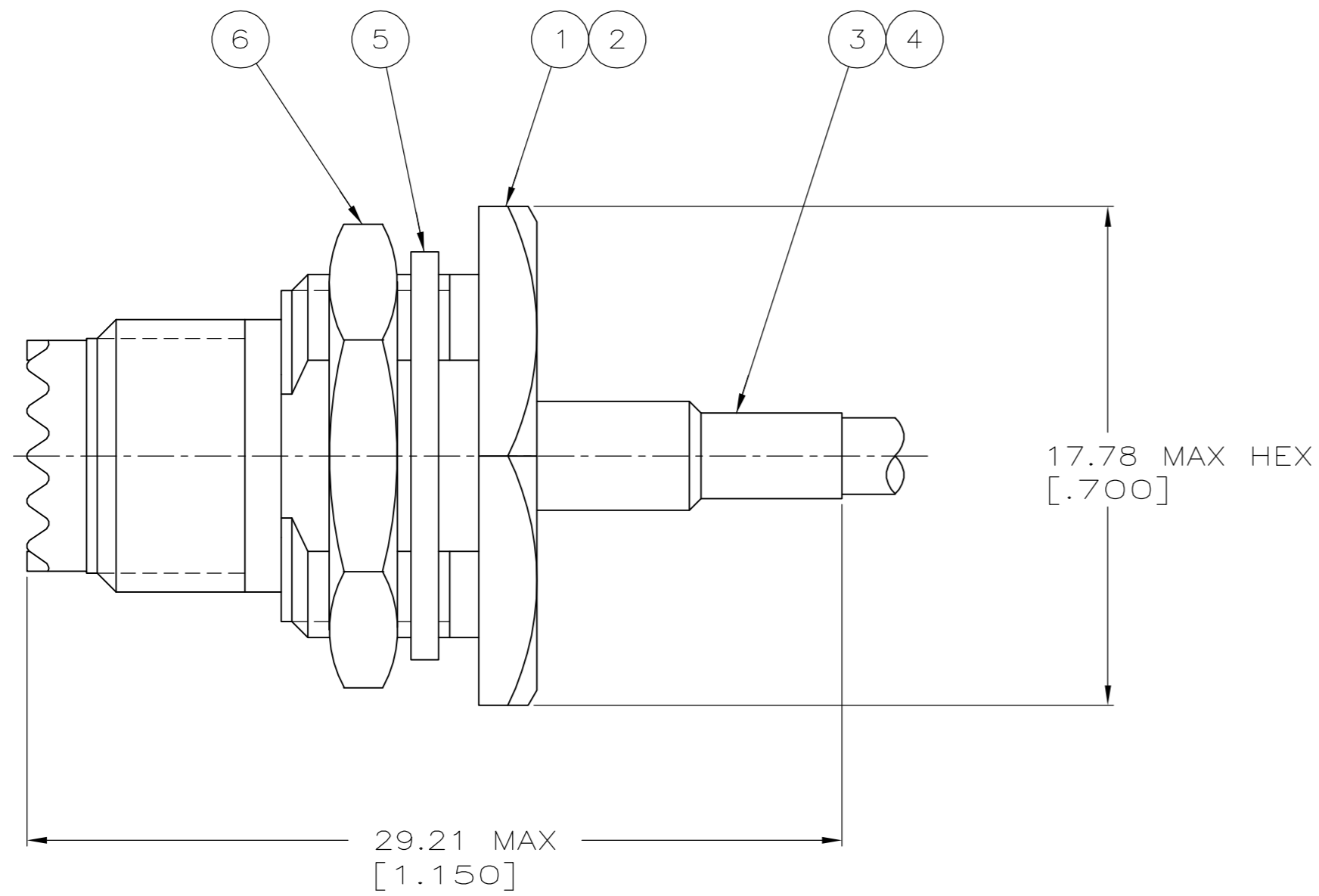
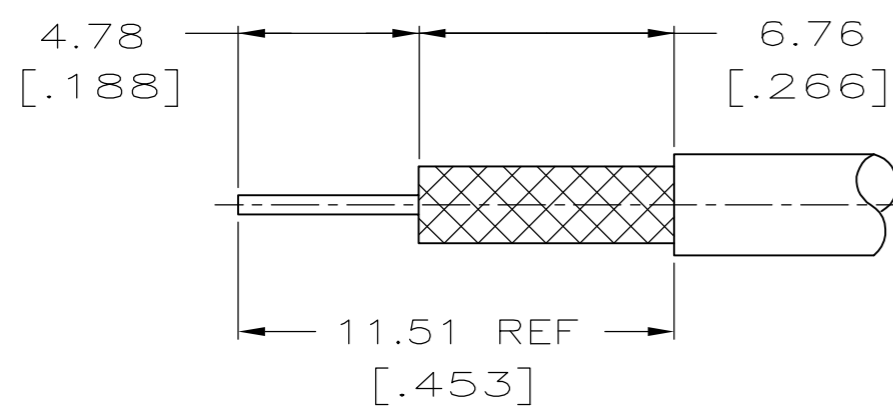


THIS DRAWING IS UNPUBLISHED. RELEASED FOR PUBLICATION  
 © COPYRIGHT BY TYCO ELECTRONICS CORPORATION. ALL RIGHTS RESERVED.

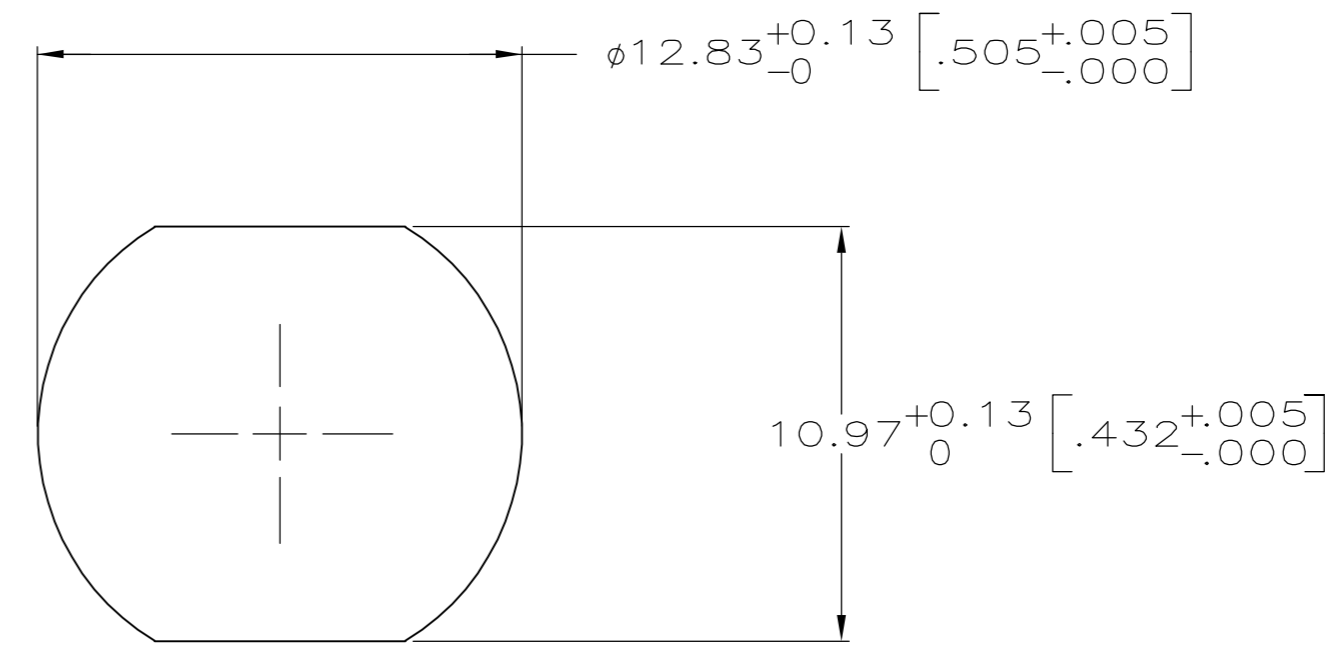
Loc	DIST	REVISIONS			
P	LTR	DESCRIPTION	DATE	DWN	APVD
AJ	16	D	PER EC OS14-0236-04	07JAN05	BM JL



1. FOR USE WITH RG-188/U CABLE
2. USE CRIMPING TOOL 59983-1
3. SEE I.S. 2578



RECOMMENDED STRIP LENGTH



RECOMMENDED PANEL CUT OUT

SUPSD BY 228665-2	-	-	21427-1	9-328666-0	-	228666-1	228665-4
SUPSD BY 228665-2	-	-	21427-1	9-328666-0	9-228668-0	228666-1	228665-3
	1-329631-2	1-329632-2	21427-1	9-328666-0	9-228668-0	228666-1	228665-2
⑥ JAM NUT QTY=1	⑤ LOCKWASHER QTY=1	④ BUSHING QTY=1	③ FERRULE QTY=1	② CONTACT QTY=1	① JACK ASS'Y QTY=1	PART NUMBER	

THIS DRAWING IS A CONTROLLED DOCUMENT.

DIMENSIONS: mm [inches]	TOLERANCES UNLESS OTHERWISE SPECIFIED: 0 PLC ± - 1 PLC ± - 2 PLC ± 0.41 [.016] 3 PLC ± - 4 PLC ± - ANGLES ± - FINISH -	DWN J.L.GROFT 8-12-96 CHK S.W.BURKHOLDER 8-12-96 APVD S.W.BURKHOLDER 8-12-96 PRODUCT SPEC - APPLICATION SPEC - WEIGHT - CUSTOMER DRAWING	Tyco Electronics Corporation Harrisburg, PA 17105-3608 NAME JACK, BULKHEAD, MINIATURE UHF SIZE A2 CAGE CODE 00779 DRAWING NO C=228665 RESTRICTED TO - SCALE 5:1 SHEET 1 OF 1 REV D
----------------------------	---	--	--

单击下面可查看定价，库存，交付和生命周期等信息

[>>TE Connectivity\(泰科\)](#)