

THIS DRAWING IS UNPUBLISHED.

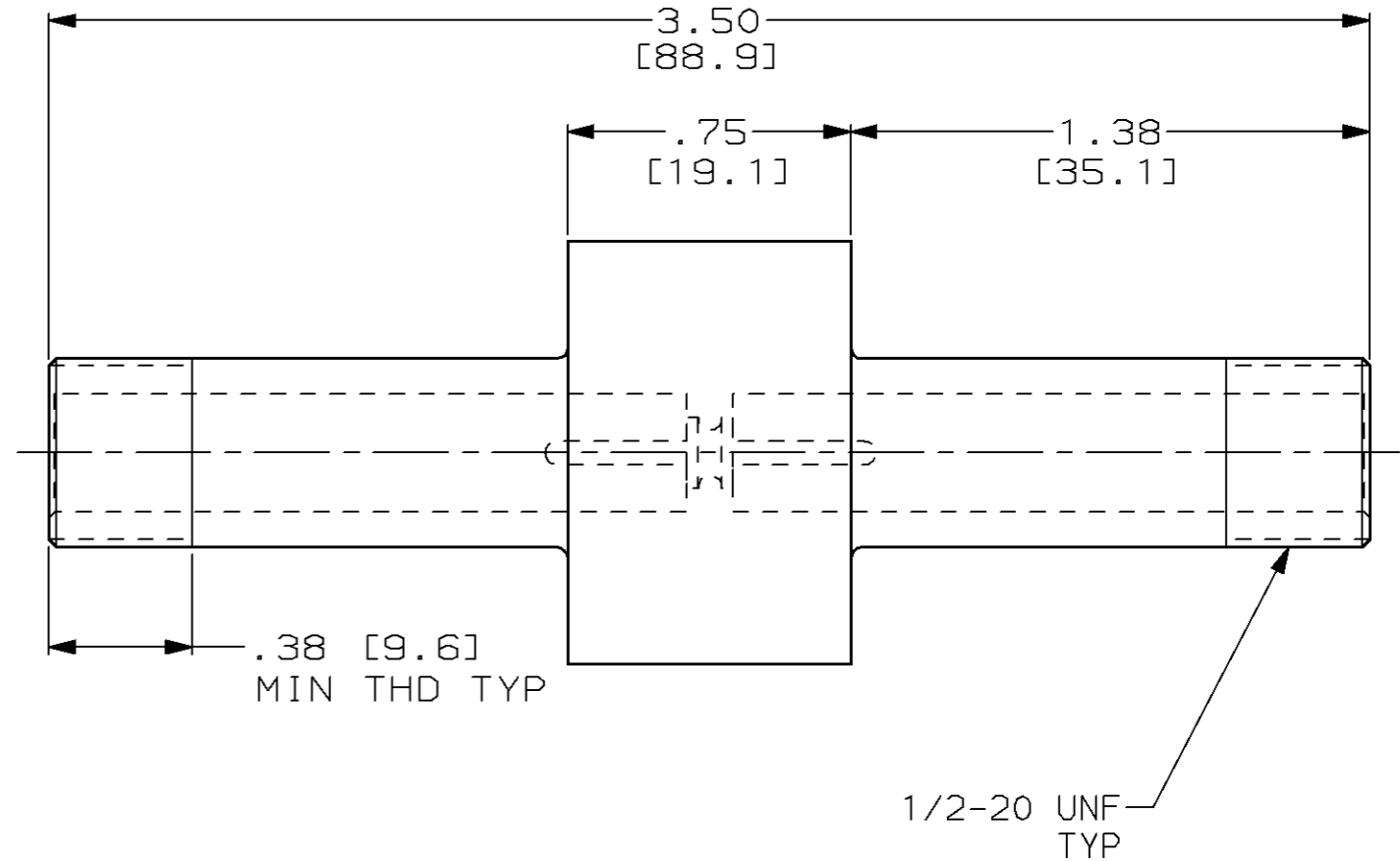
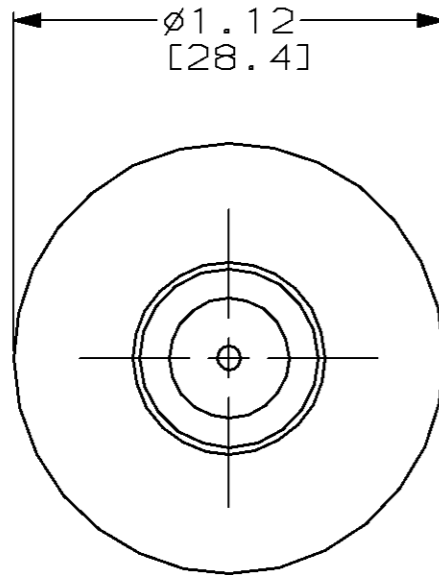
RELEASED FOR PUBLICATION

,19 .

© COPYRIGHT 19

BY AMP INCORPORATED. ALL RIGHTS RESERVED.

LOC	DIST	REVISIONS			
P	LTR	DESCRIPTION	DATE	DWN	APVD
DF	SO	G	REV & REDRAWN; 0600-5542-96	7-96	CT SG



1. RECEPTACLE TO MATE WITH AMP LGH-1L LEAD ASSY WITH 1.69 [42.93] BARREL DEPTH.

REMARKS	DISCRIPTION	PART NUMBER
OBSOLETE	GOLD PLATED PIN	858030-2
-	TIN PLATED PIN	858030-1

THIS DRAWING IS A CONTROLLED DOCUMENT.		DWN C.C. THOMAS 7-17-96	AMP AMP Incorporated Harrisburg, PA 17105-3608
DIMENSIONS: INCHES [mm]		CHK S. GLATFELTER 8-1-96	
TOLERANCES UNLESS OTHERWISE SPECIFIED:		APVD S. GLATFELTER 8-1-96	NAME RCPT ASSY, FEED-THRU FOR SPLICE APPLICATIONS, LGH-1L
0 PLC ±-		PRODUCT SPEC	SIZE A3
1 PLC ±-		APPLICATION SPEC	CAGE CODE 00779
2 PLC ±.02 [0.5]		WEIGHT	DRAWING NO C-858030
3 PLC ±.005 [0.13]		CUSTOMER DRAWING	SCALE 2:1
4 PLC ±-			SHEET 1 OF 1
ANGLES ±-			REV G
MATERIAL MOLDED GLASS EPOXY	FINISH -		

单击下面可查看定价，库存，交付和生命周期等信息

[>>TE Connectivity\(泰科\)](#)