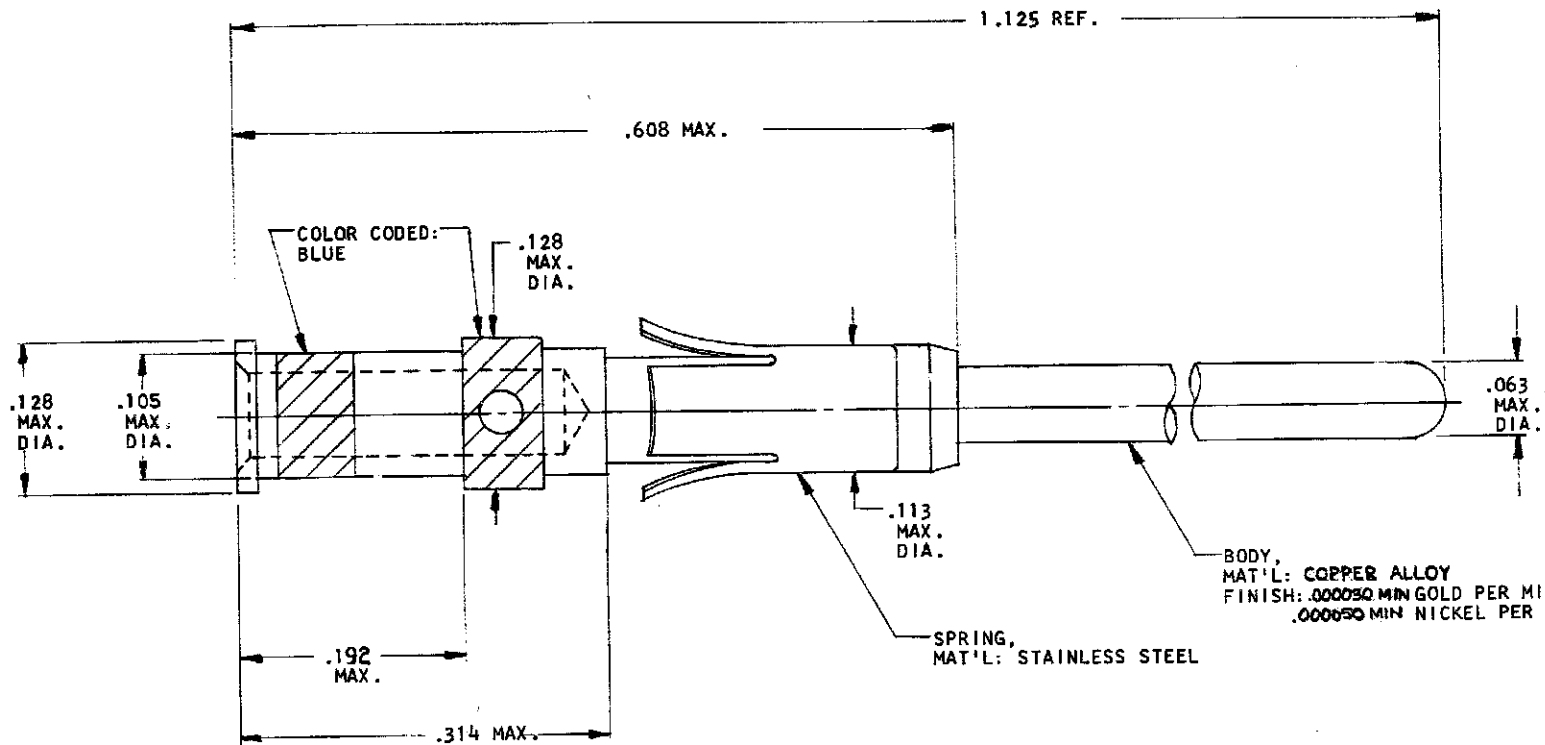
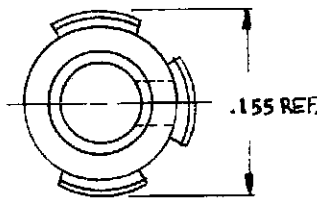


DRAWING MADE IN THIRD ANGLE PROJECTION

© COPYRIGHT 1978 BY AMP INCORPORATED, HARRISBURG, PA.
 ALL INTERNATIONAL RIGHTS RESERVED. AMP INCORPORATED PRODUCTS
 COVERED BY U. S. AND FOREIGN PATENTS AND/OR PATENTS PENDING.

207893-1 1. AS SHOWN.

REVISIONS				M	LOC	DIST
P	F	ZONE/LTR	DESCRIPTION	DATE	APPROVED	
0		0	RELEASED	9/8/78	THW	
✓		A	REVISED ECN 54142	9-22-81	THW	
✓		B	REVISED ECN 802619	3-19-89	THW	



UNLESS OTHERWISE SPECIFIED DIMENSIONS ARE IN INCHES. TOLERANCES ON: DECIMALS ± .01 ANGLES ± 1°		CONTRACT NO		PART NO	
MATERIAL SEE CALLOUTS		DR <i>David L. Szymon</i> 9/8/78		AMP INCORPORATED Harrisburg, Pa.	
FINISH SEE CALLOUTS		CHK <i>W. J. [Signature]</i> 9/11		NAME ASSEMBLY, CONTACT, PIN #16, TYPE II, GROUNDING PIN FOR CPC (18-16) WIRE SIZE	
		APP <i>Don Cooby</i> 9/13/78		SIZE CODE IDENT NO DRAWING NO	
		APPD <i>[Signature]</i> 9/15/78		C 00779 207893	
		DSG.J APPD		SCALE	
		OTHER APPD		SHEET 1 OF 1	

单击下面可查看定价，库存，交付和生命周期等信息

[>>TE Connectivity\(泰科\)](#)