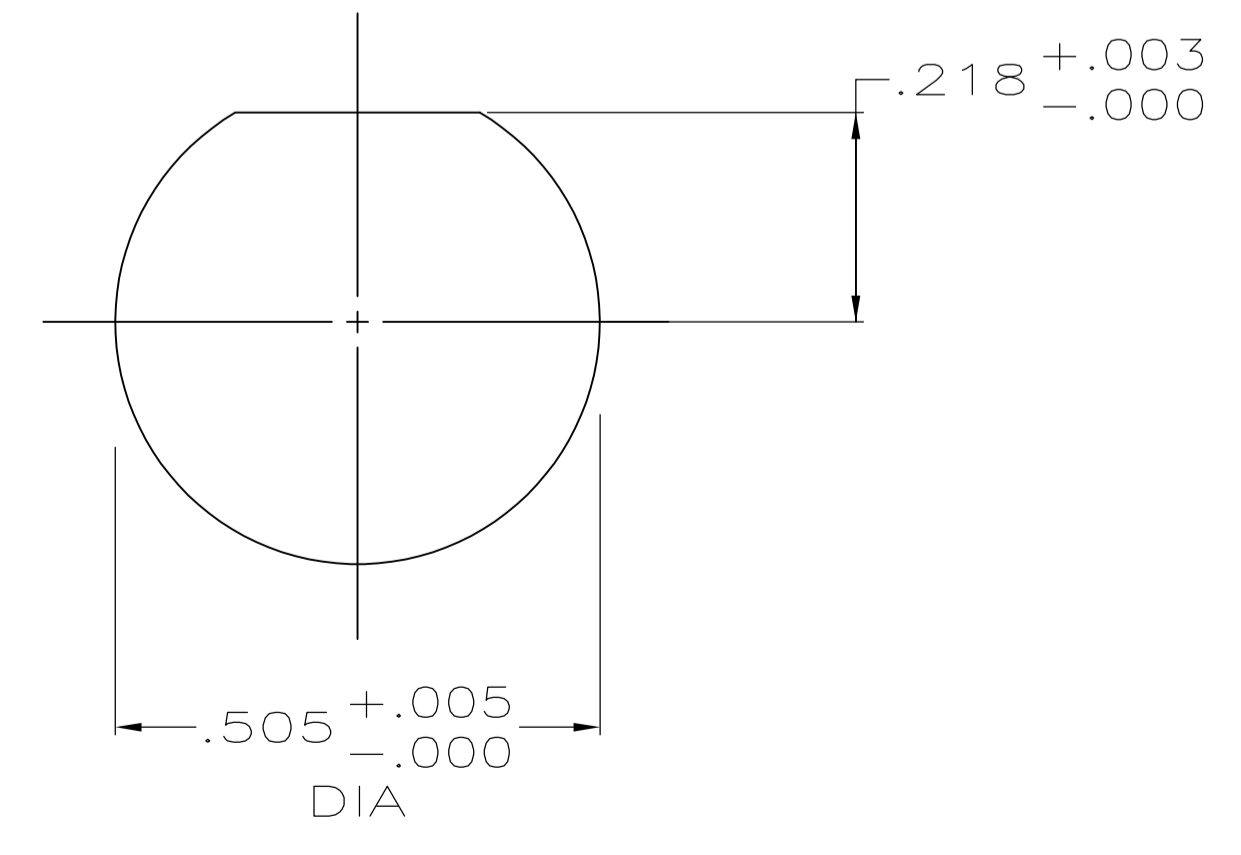
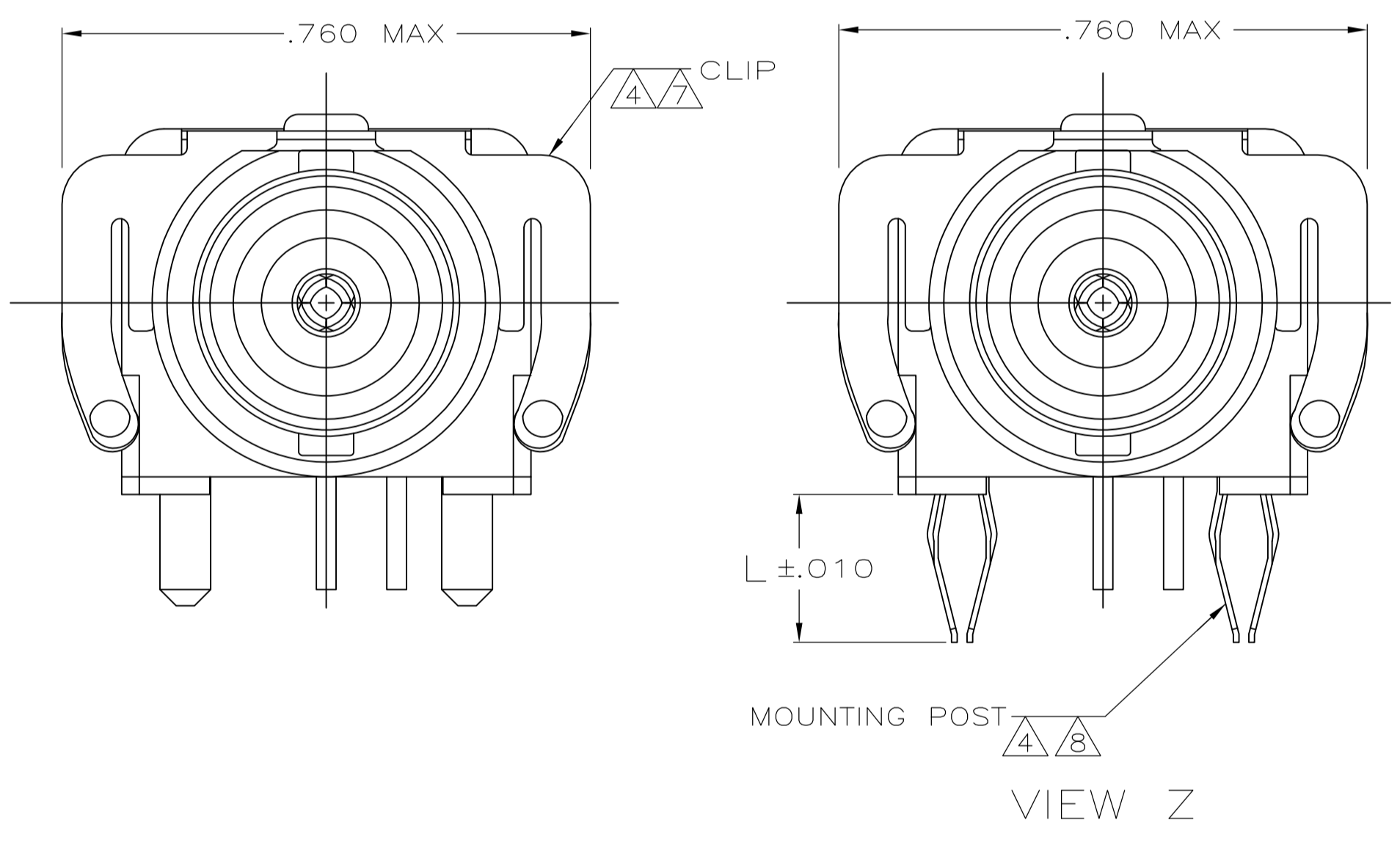
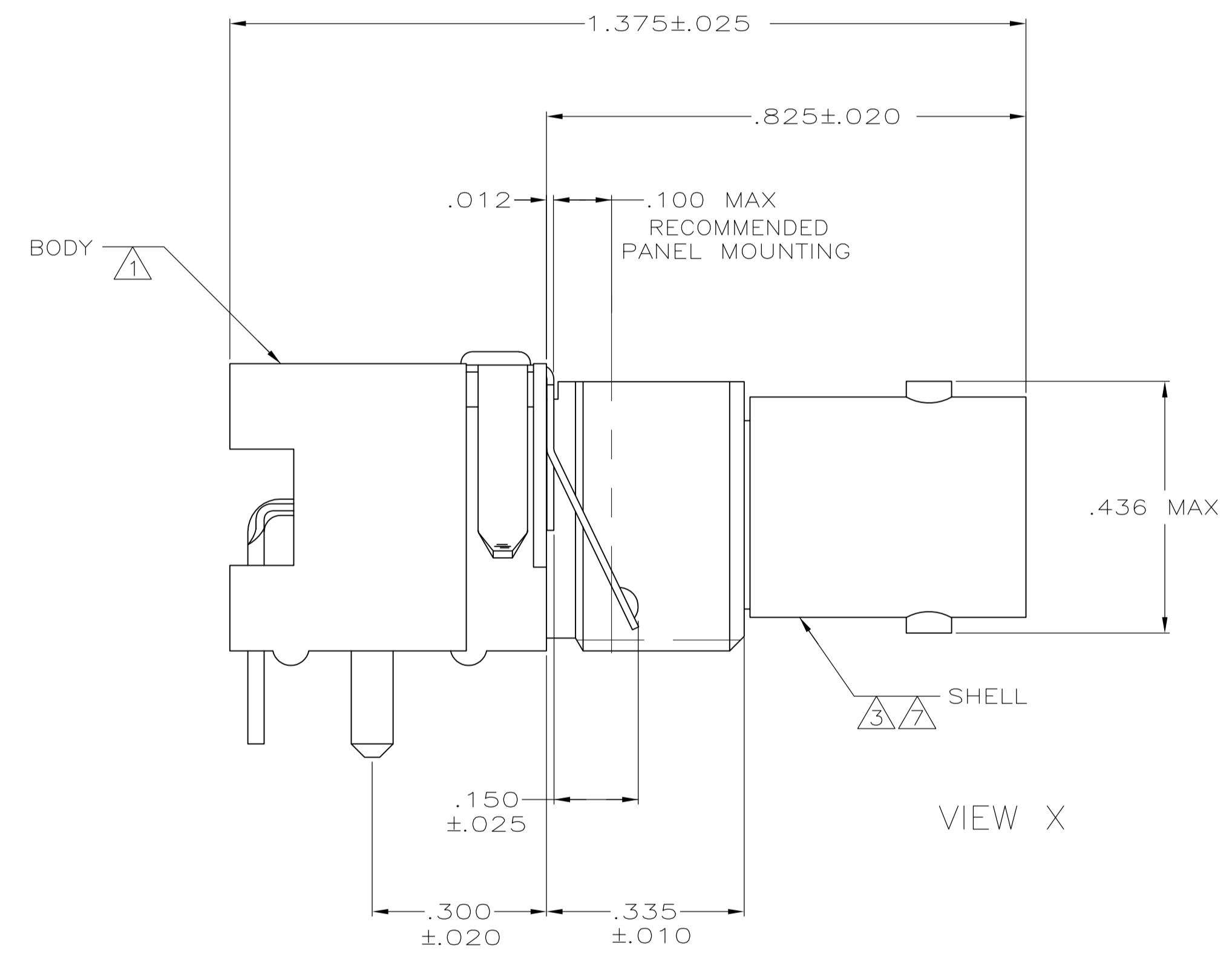
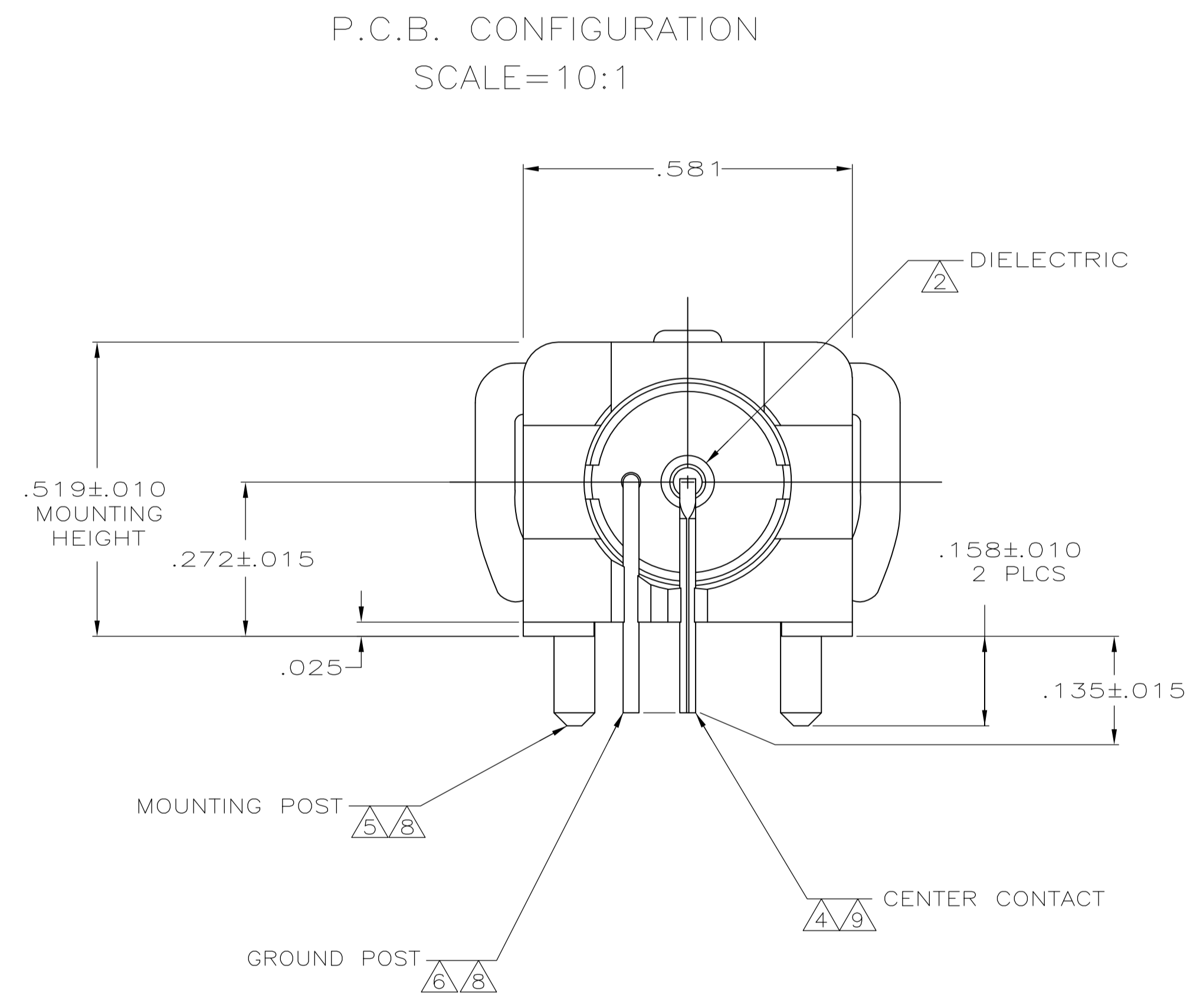


- 1 POLYESTER, PBT, BLACK, PER MIL-M-24519.
- 2 POLYMETHYLPENTENE GENERAL PURPOSE.
- 3 ZINC PER QQ-Z-363.
- 4 PHOSPHOR BRONZE PER QQ-B-750.
- 5 BRASS PER QQ-B-626.
- 6 BRASS PER ASTM-B-453.
- 7 NICKEL PL PER QQ-N-290.
- 8 TIN PLATE PER ASTM-B-545.
- 9 SELECTIVELY GOLD PLATED ON INTERFACE AREA PER MIL-G-45204, .000030 THK, TIN PLATED ON SOLDER TAIL PER ASTM-B-545, ALL OVER NICKEL PL PER QQ-N-290.
- 10 TRAY PACKAGING.
- 11 OBSOLETE PARTS: OBSOLETE CIS STREAMLINING PER D.RENAUD/D.SINISI



RECOMMENDED PANEL CUTOUT

OBSOLETE	-	VIEW X	9400 pf, 1500 VDC	-1-5413515-2
	.110	VIEW Z	9400 pf, 1500 VDC	5413515-9
	.185	VIEW Z	9400 pf, 1500 VDC	5413515-8
	.110	VIEW Z	7900 pf, 1600 VDC	5413515-7
OBSOLETE	-	VIEW X	20000 pf, 500 VDC	-5413515-3
	-	VIEW X	9400 pf, 1500 VDC	5413515-2
L	MOUNTING POST	CAPACITANCE & VOLTAGE	PART NO	

THIS DRAWING IS A CONTROLLED DOCUMENT.

DIMENSIONS: INCHES	TOLERANCES UNLESS OTHERWISE SPECIFIED:	0 PLC ± -	1 PLC ± -	2 PLC ± -	3 PLC ± .008	4 PLC ± -	ANGLES ± -
MATERIAL THRU FINISH		1 6		7 8 9		CUSTOMER DRAWING	

APVD: J. HAVENER	DATE: 22APR2005	NAME: J. LIPPERT	DATE: 22APR2005
PRODUCT SPEC: 108-1269		APPLICATION SPEC: -	
SIZE: A1	CAGE CODE: 00779	DRAWING NO: 5413515	RESTRICTED TO: -
SCALE: 4:1		SHEET: 1 of 1	REV: C2

STE TE Connectivity
 JACK DECOUPLER, RIGHT ANGLE, LOW PROFILE, SERIES BNC

单击下面可查看定价，库存，交付和生命周期等信息

[>>TE Connectivity\(泰科\)](#)