

4

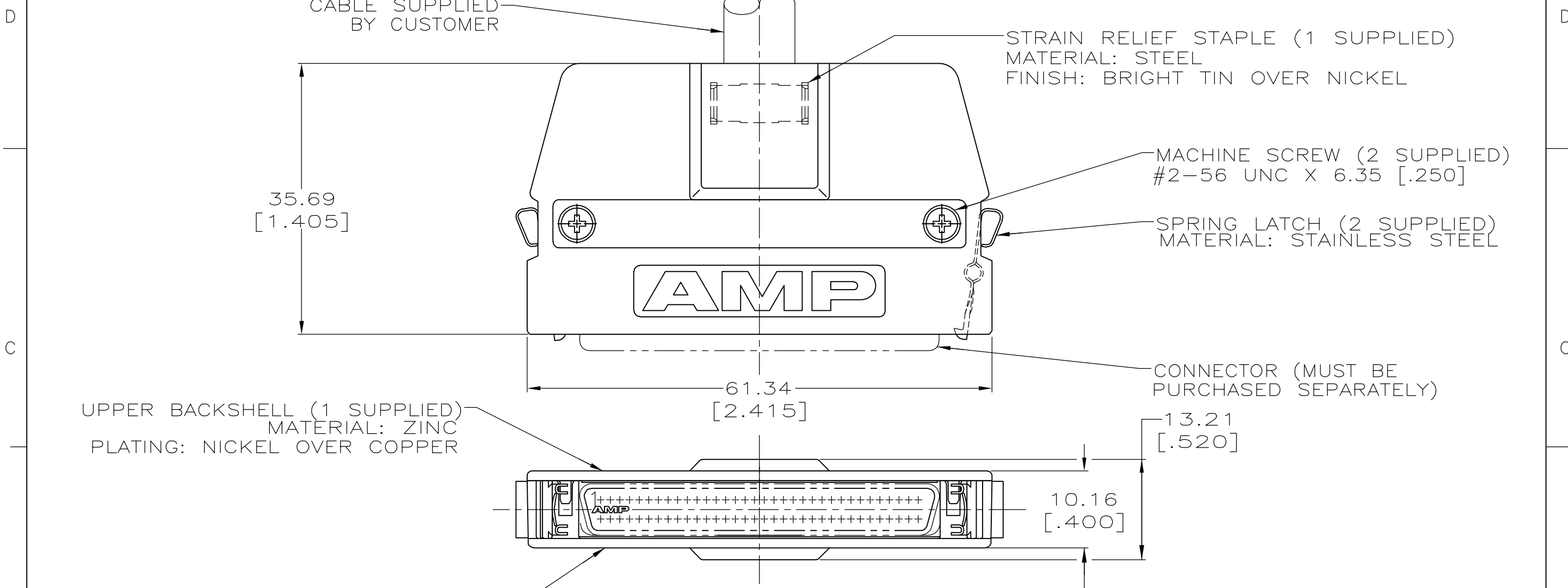
3

2

1

THIS DRAWING IS UNPUBLISHED. RELEASED FOR PUBLICATION
 © COPYRIGHT BY TYCO ELECTRONICS CORPORATION. ALL RIGHTS RESERVED.

LOC	DIST	REVISIONS					
GP	00	P	LTR	DESCRIPTION	DATE	DWN	APVD
			0	RELEASED PER EC OS13-0001-05	25AUG05	GP	JG



UPPER BACKSHELL (1 SUPPLIED)
 MATERIAL: ZINC
 PLATING: NICKEL OVER COPPER

LOWER BACKSHELL (1 SUPPLIED)
 MATERIAL: ZINC
 PLATING: NICKEL OVER COPPER

**COPYRIGHT 2005
 TYCO ELECTRONICS CORP
 ALL RIGHTS RESERVED**

1 11.18 [.440] MAX CABLE DIA
 2. PARTS PACKAGED AS A UNIT KIT.

5749195-2
 PART NO

THIS DRAWING IS A CONTROLLED DOCUMENT.		DWN G.PETERS	25AUG05	tyco Electronics	Tyco Electronics Corporation Harrisburg, Pa 17105-3608			
DIMENSIONS: mm [INCHES]		CHK S.SHUEY	25AUG05		NAME INDIVIDUAL KIT, UNASSEMBLED, 68 POSITION, STRAIGHT EXIT, UNKEYED, AMPLIMITE .050 Series			
TOLERANCES UNLESS OTHERWISE SPECIFIED:		APVD M.WALMSLEY	25AUG05	PRODUCT SPEC -				
0 PLC ± -		APPLICATION SPEC		SIZE		CAGE CODE	DRAWING NO	RESTRICTED TO
1 PLC ± -		-		A3		00779	C-5749195	-
2 PLC ± -		-		CUSTOMER DRAWING		SCALE	SHEET	OF
3 PLC ± 0.38[.015]		-		-		1:1	1	1
4 PLC ± -		-		-		REV	0	
ANGLES ± -		-		-				
MATERIAL		FINISH		-				
-		-		-				

单击下面可查看定价，库存，交付和生命周期等信息

[>>TE Connectivity\(泰科\)](#)