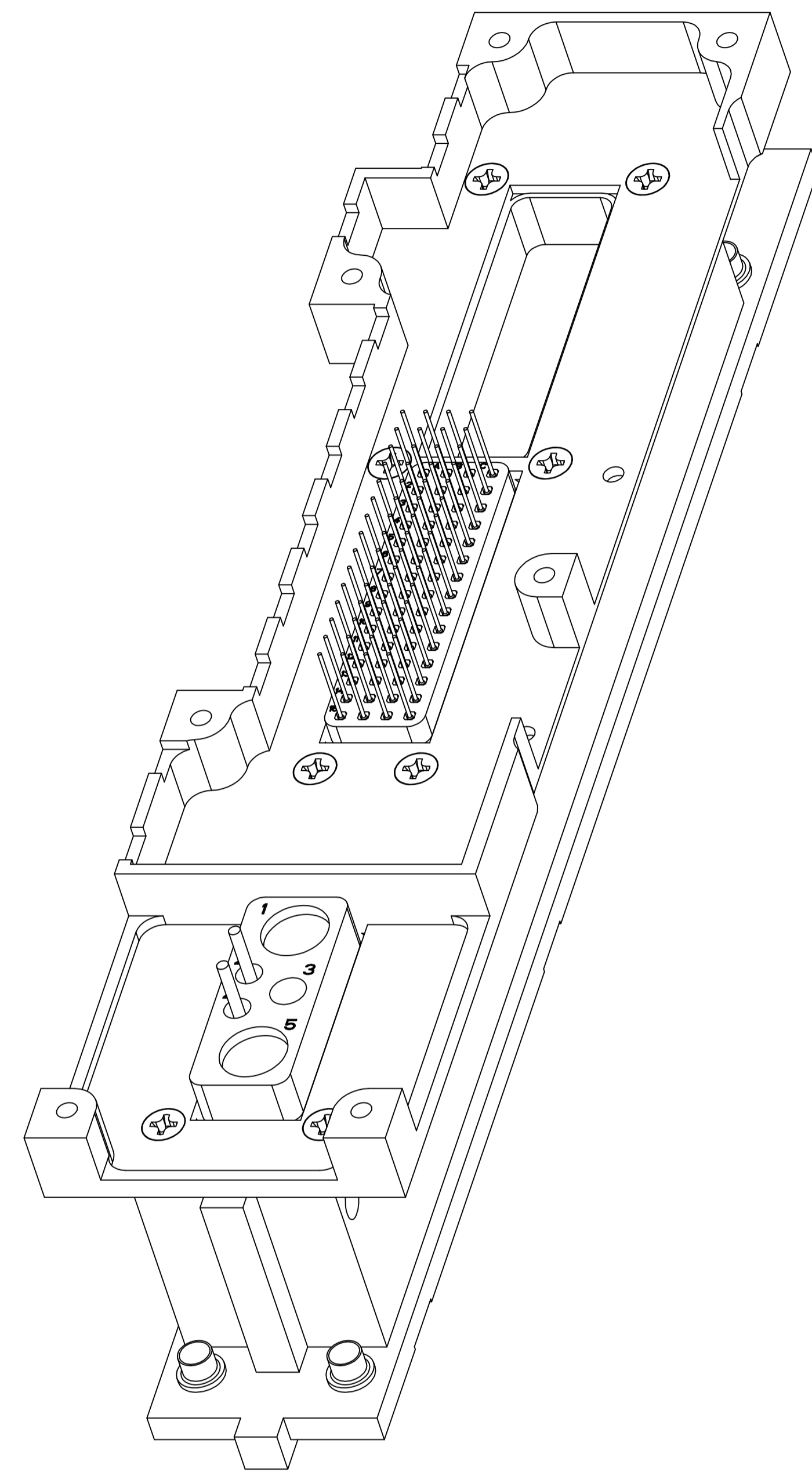
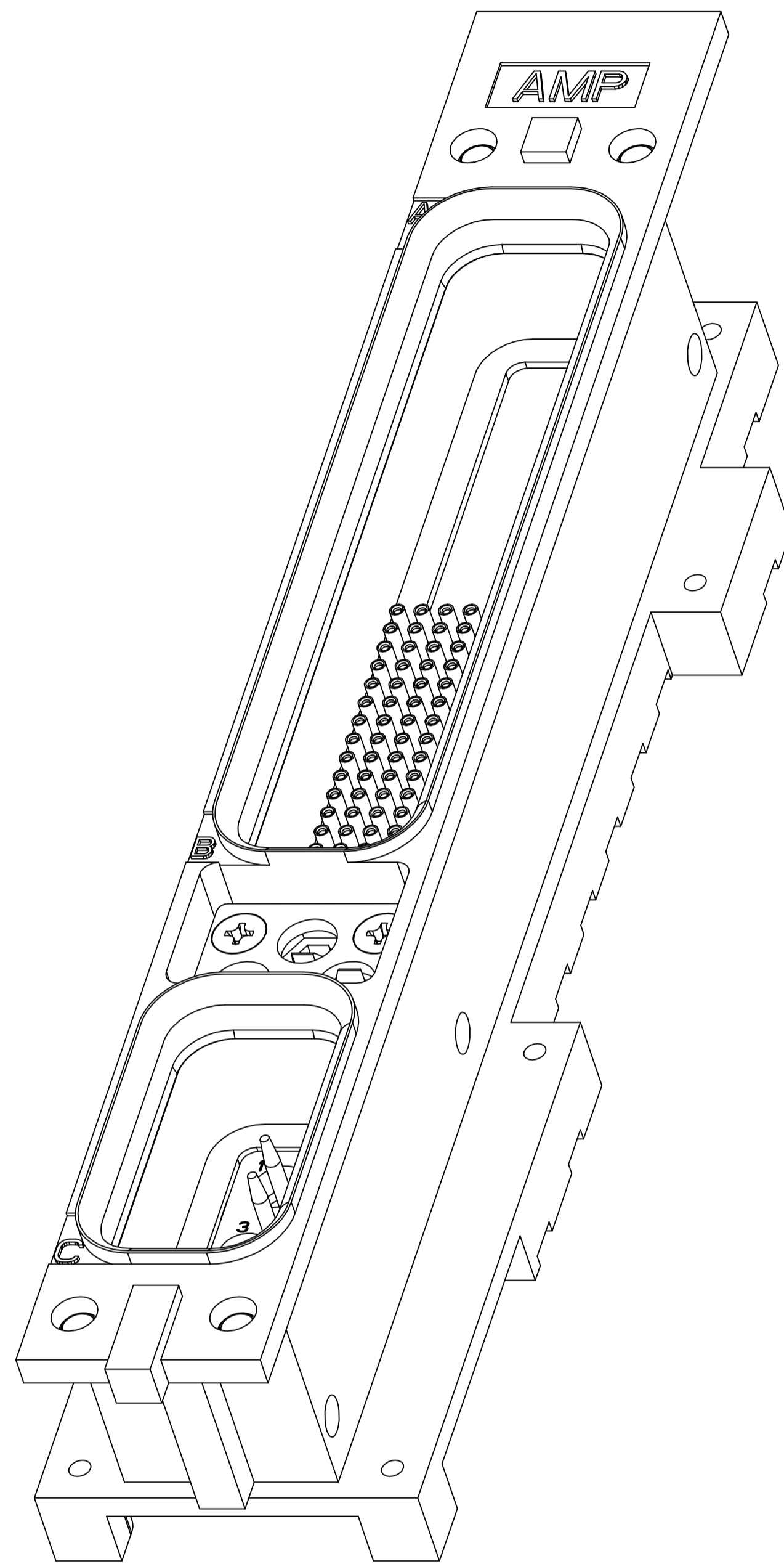


REVISONS		DATE	DNW	APVD
F	REV PER ECO 09-025422	11-16-09	CT	KT

- CONNECTOR DIMENSIONS ARE PER ARINC 600 SPECIFICATION UNLESS OTHERWISE SPECIFIED.
- CONNECTOR IS SUPPLIED WITH CONTACTS (PER TABLE) ASSEMBLED AS SHOWN.
- KEYING SHOWN IN POSITION FOR ILLUSTRATION ONLY. CONNECTORS SHIPPED WITH KEYING INSTALLED IN POSITION PER TABLE.
- DUST COVER INSTALLED FOR SHIPPING, NOT SHOWN.
- WITH CONTACT FULLY SEATED IN CAVITY.
- THIS DIMENSION IS MEASURED TO THE BACK OF THE SHELL NOT THE HIRF.



COMPONENT	MATERIAL	FINISH
SHELL	DIE CAST ALUMINUM PER ASTM-B-85	ELECTROLESS NICKEL PER MIL-C-26074
HIRF HOUSING RETENTION PLATE	ALUMINUM ALLOY 6061-T6	ELECTROLESS NI QQ-N-290 .0006 MIN OVER CU .0002
SCREWS AND LOCK WASHERS	STEEL	ZINC PLATED OVER SUPPLEMENTAL CHROMATE
POLARIZING KEYS	ZINC ALLOY PER ASTM-B-86	-
POLARIZING KEY RETAINING PLATE	ALUMINUM ALLOY PER ASTM-B-209	BLUE ANODIZED PER MIL-A-8625
60 & 5C2 INSERTS	THERMOSET	-
BLANK INSERT	ALUMINUM ALLOY PER ASTM-B-209	ELECTROLESS NICKEL PER MIL-C-26074
FILLER PLUG	TEFLON	-

"04"	HIRF P/N: 1996859-1; HONEYWELL P/N: 047-50511-0501 MODULE A: BLANK MODULE B: SZ 22 POSTED PIN CONTACT: TE P/N 1-211431-8 (QTY=60) MODULE C: SZ 16 POSTED PIN CONTACT: TE P/N 3-448139-3 (QTY=2) LOADED IN POSITION #2 & 4 SZ 12 SEALING PLUG: TE P/N 1663767-4 (QTY=1) LOADED IN POSITION #3 SZ 5 SEALING PLUG: TE P/N 205975-1 (QTY=1) LOADED IN POSITION #5	1996502-1
	KEYING POSITION	CONTACTS & SEALING PLUGS INCLUDED AND INSTALLED

THIS DRAWING IS A CONTROLLED DOCUMENT.

DIMENSIONS: INCHES (mm)	TOLERANCES UNLESS OTHERWISE SPECIFIED:	0 PLC ± -	1 PLC ± -	2 PLC ± -	3 PLC ± .005 (0.13)	4 PLC ± -	ANGLES ± -				
MATERIAL SEE TABLE	FINISH SEE TABLE	WEIGHT	—	SIZE	A1	CAGE CODE	00779	DRAWING NO	1996502	RESTRICTED TO	—

CUSTOMER DRAWING SCALE 3:2 SHEET 1 OF 2 REV F

单击下面可查看定价，库存，交付和生命周期等信息

[>>TE Connectivity\(泰科\)](#)