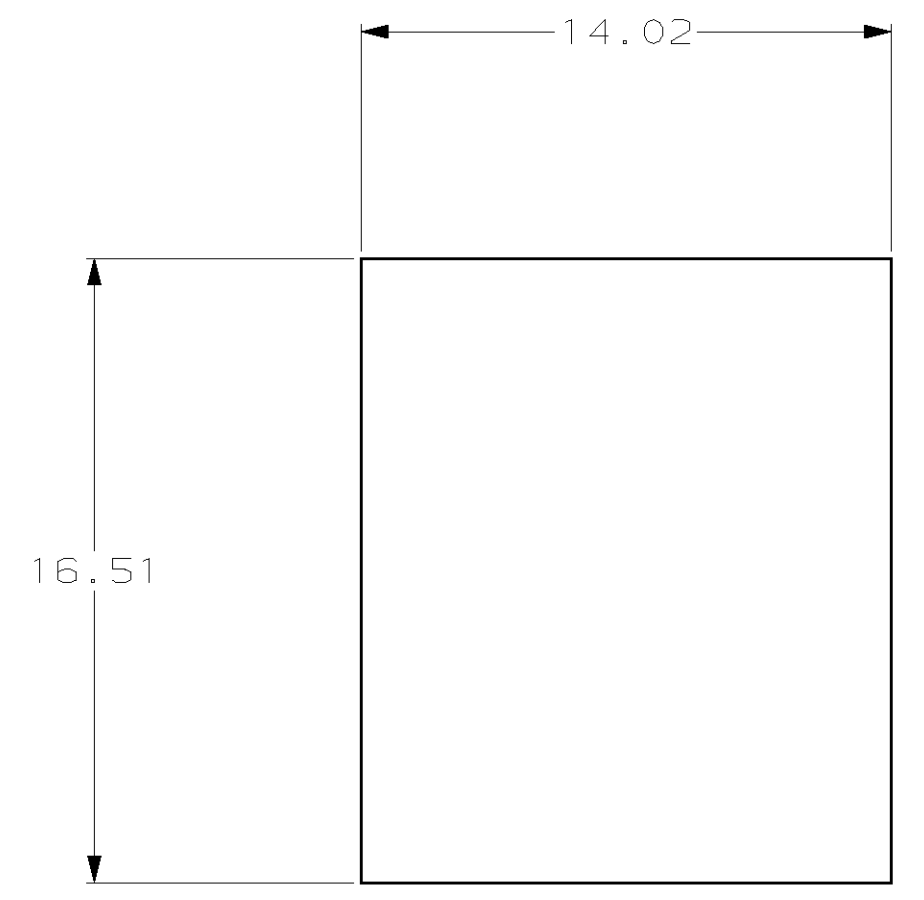
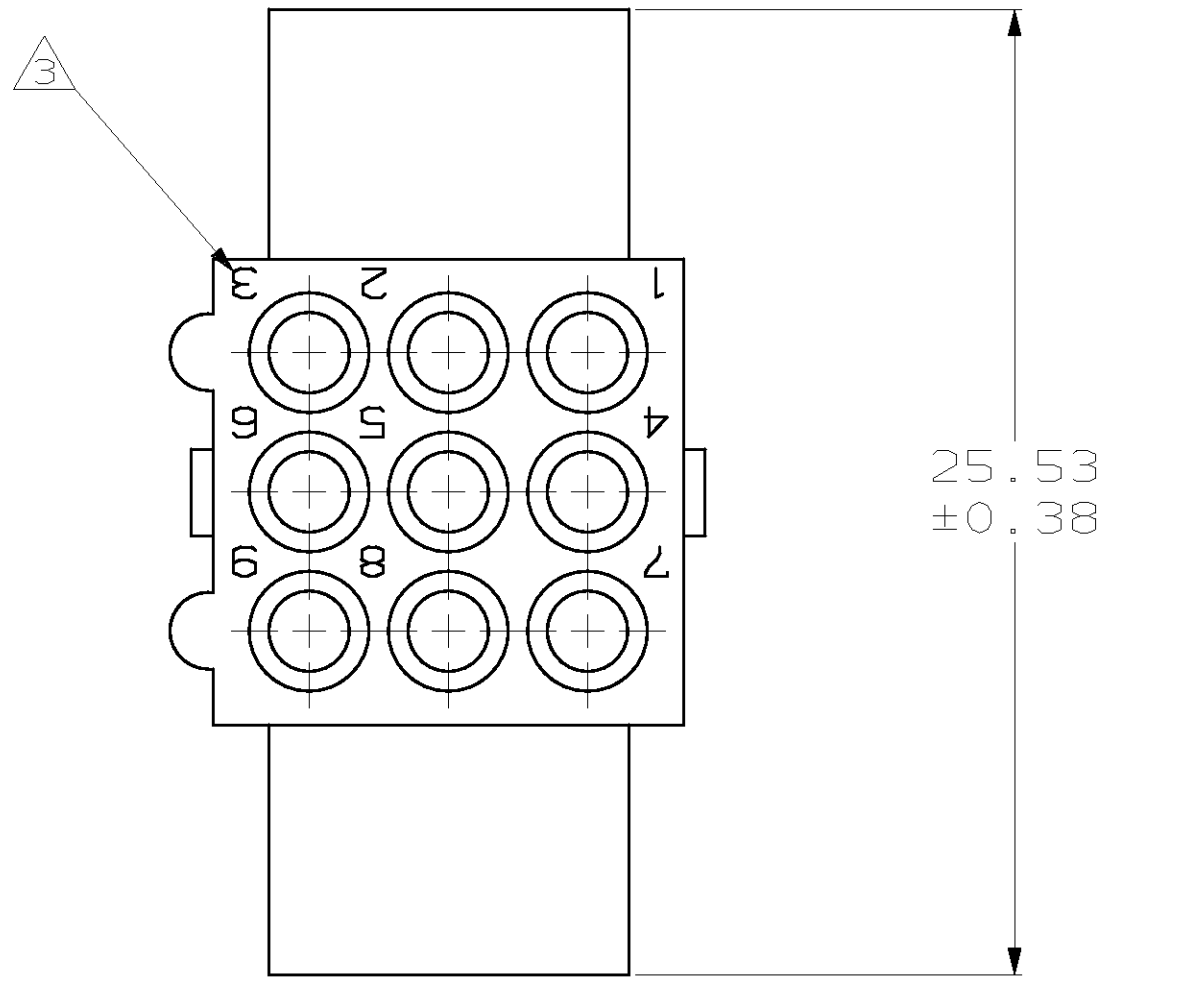
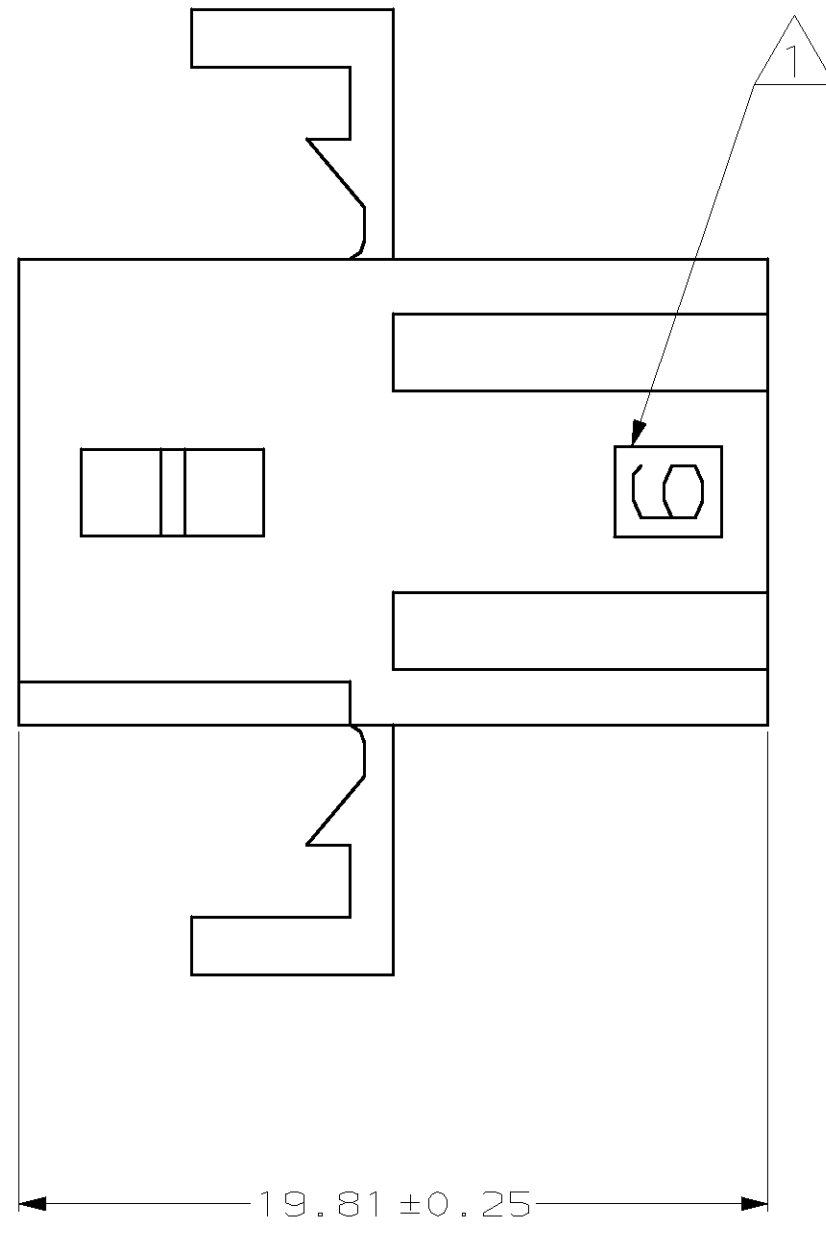
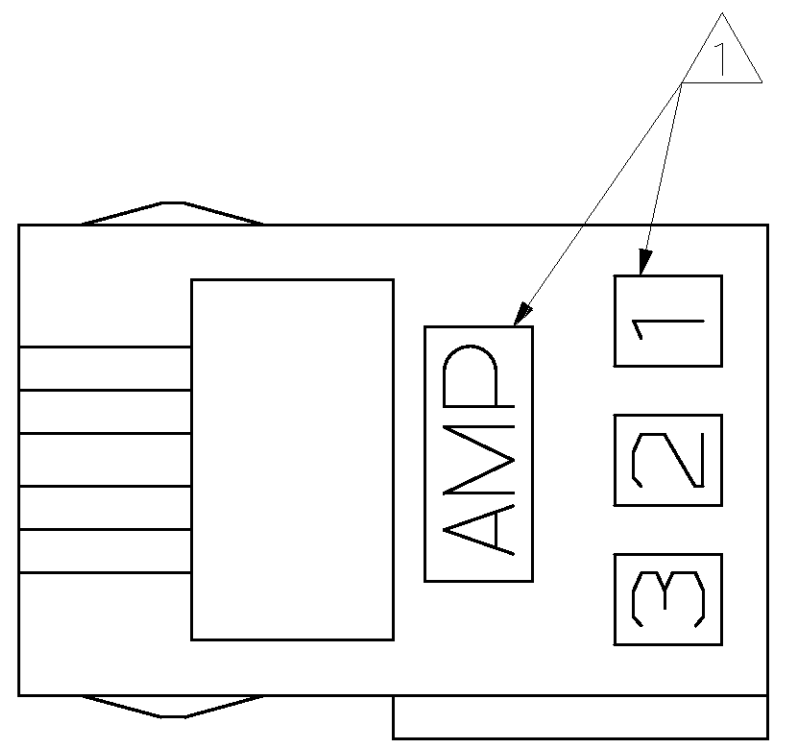


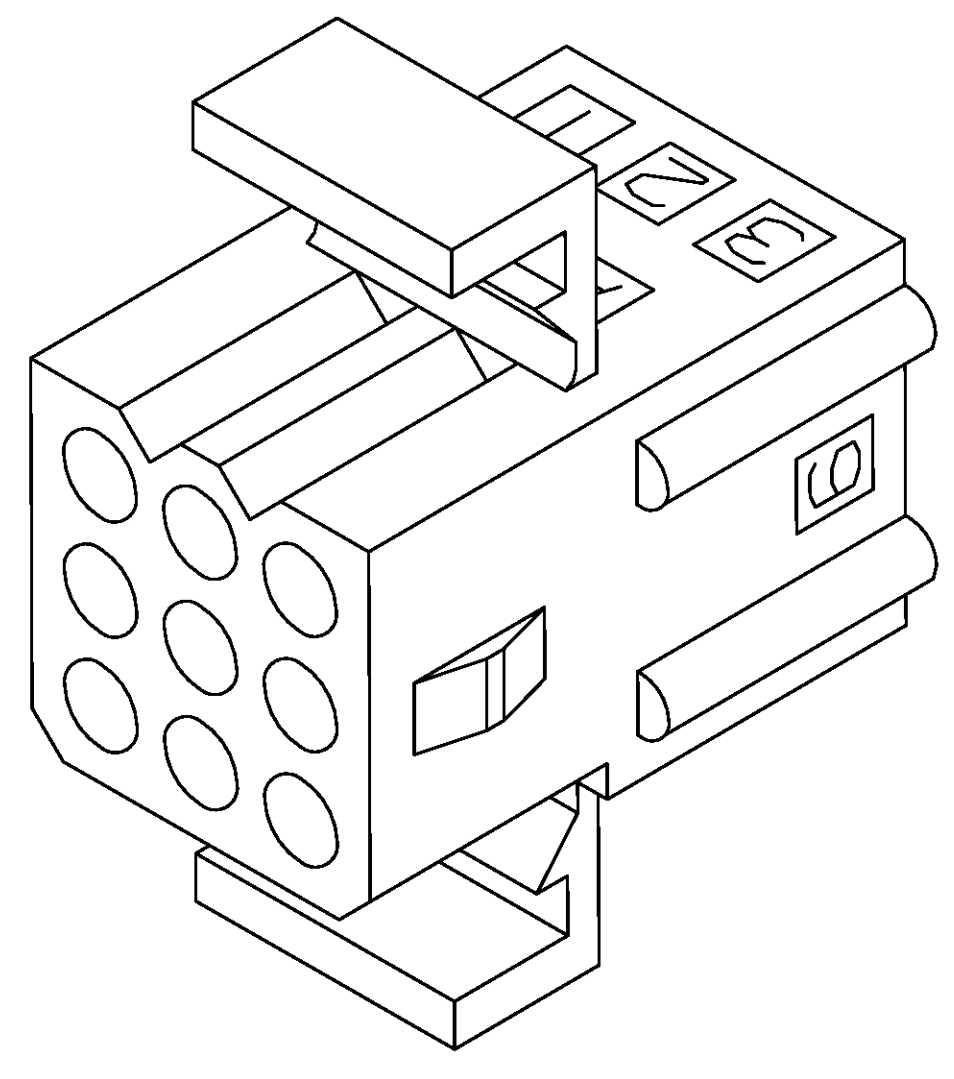
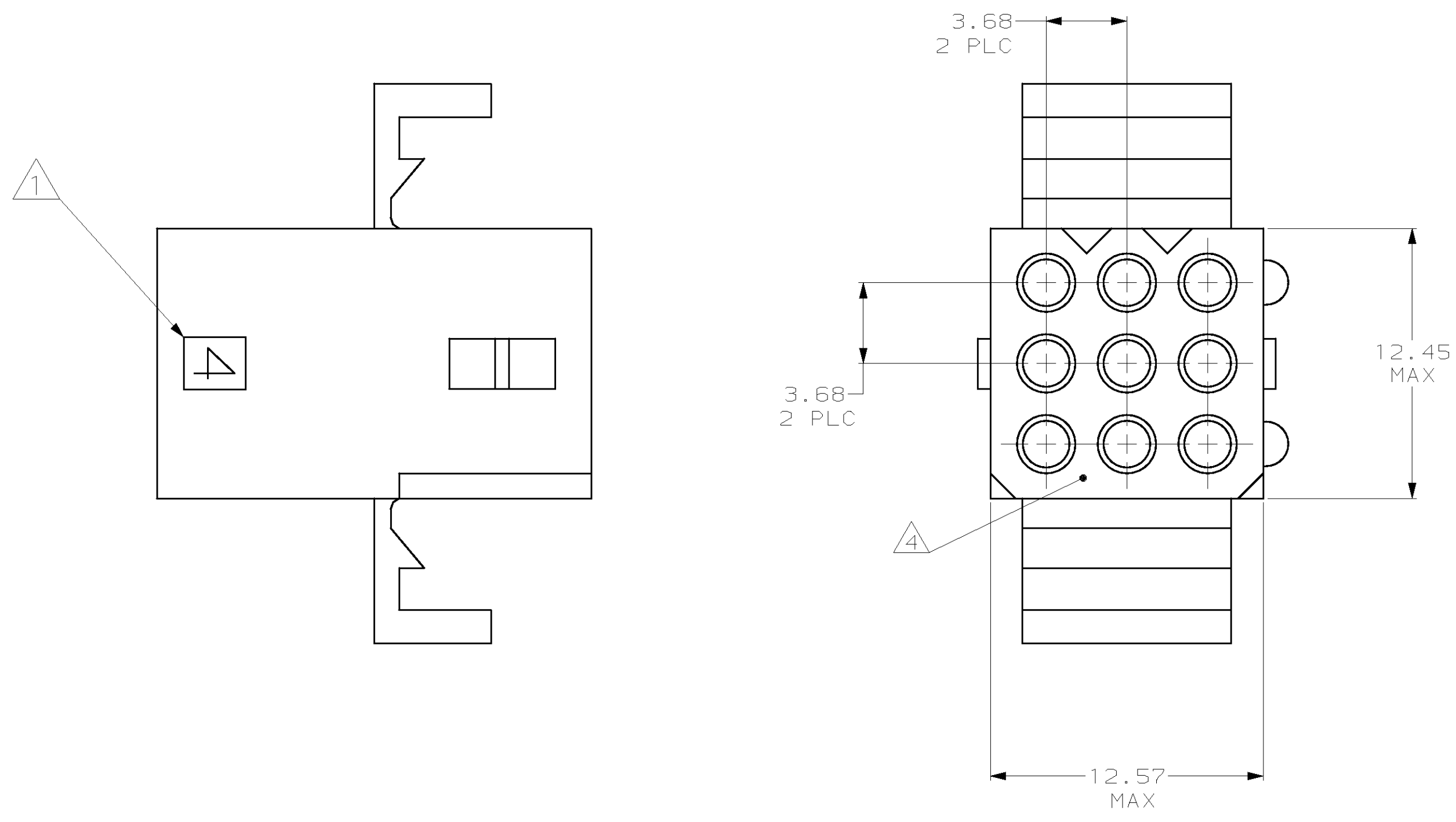
LOC	QTY	REV	DATE	BY	CHK	APPV
CM	53					

REVISIONS						
REV	DESCRIPTION	DATE	BY	CHK	APPV	
C	REV & REDWN PER EC OL30-0214-97	10-20-97	KW			RS

- ① AMP LOGO AND CIRCUIT NUMBERS LOCATED APPROXIMATELY AS SHOWN.
- ② CSA LOGO AND UL LOGO LOCATED ON THIS SURFACE.
- ③ CIRCUIT NUMBERS MAY OR MAY NOT APPEAR.
- ④ AMP LOGO MAY OR MAY NOT APPEAR ON THIS SURFACE.



RECOMMENDED CUT OUT FOR 1.52 MAX THICK PANEL



3-DIMENSIONAL MODEL NTS

MM	IN	MM	IN
3.68	.145	25.53	1.005
1.58	.062	19.81	.780
1.52	.060	16.51	.650
0.38	.015	14.02	.552
0.25	.010	12.57	.495
0.13	.005	12.45	.490
MM	IN	MM	IN

CONVERSION TABLE

METRIC

THIS DRAWING IS A CONTROLLED DOCUMENT.		DWN K. WHITAKER	10-20-97	AMP AMP Incorporated Harrisburg, PA 17105-3608
DIMENSIONS: mm		CHK R. SWING	10-20-97	
TOLERANCES UNLESS OTHERWISE SPECIFIED:		APVD K. CORLE	10-20-97	NAME RECEPTACLE, PANEL MOUNT, 9 CIRCUIT, .062 PIN AND SOCKET
9 PLC ±-		PRODUCT SPEC		SIZE A1
1 PLC ±-.13		APPLICATION SPEC		SCALE CODE C-770427
2 PLC ±-		HEIGHT		RESTRICTED TO
3 PLC ±-		CUSTOMER DRAWING		SCALE 5:1
4.00 ±-.13				SHEET 1 OF 1
ANGLES ±-				REV C
MATERIAL NYLON, JL 94V-2, NATURAL				

770427-1
PART NUMBER

单击下面可查看定价，库存，交付和生命周期等信息

[>>TE Connectivity\(泰科\)](#)