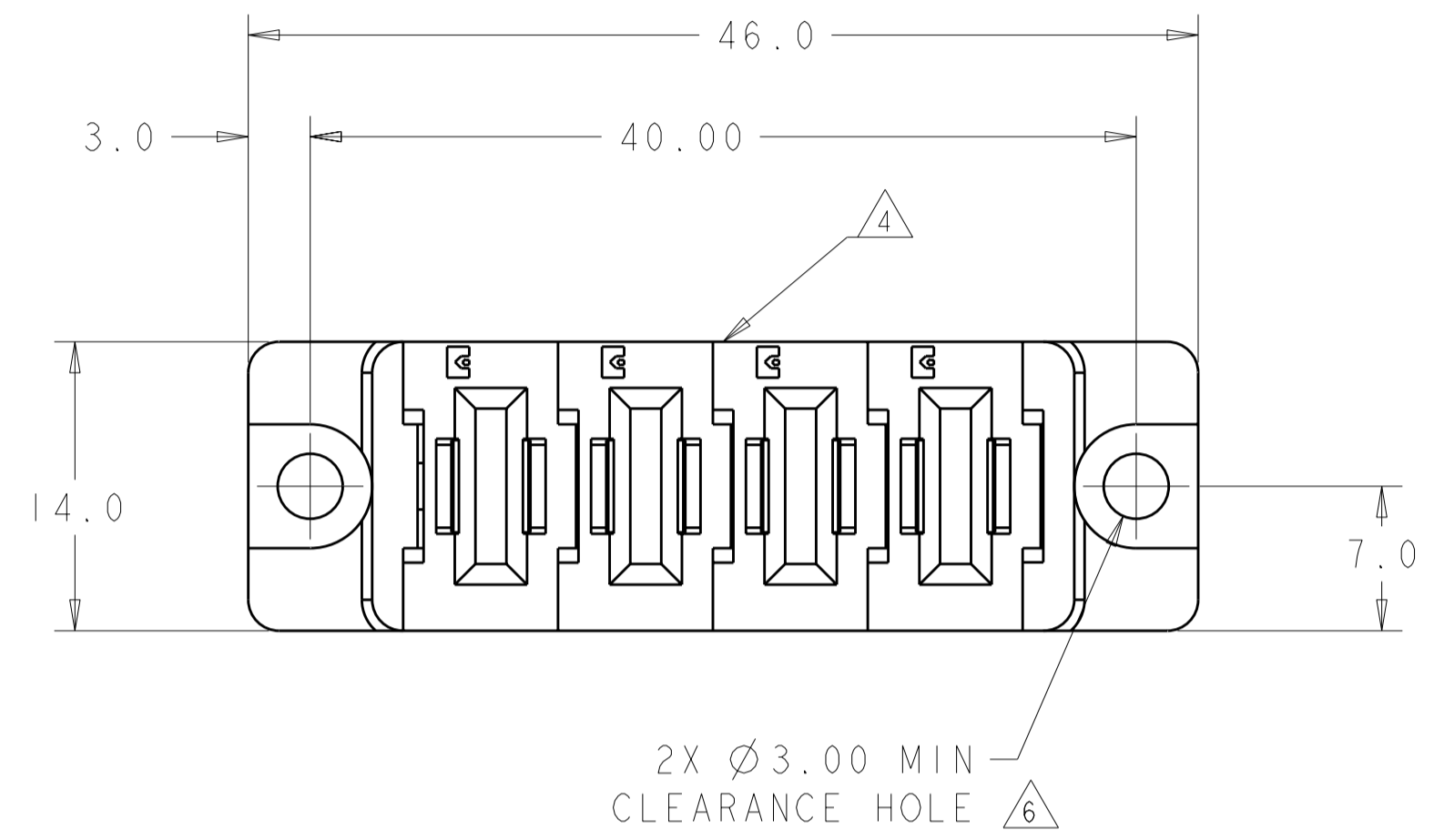


THIS DRAWING IS UNPUBLISHED. RELEASED FOR PUBLICATION 20  
 © COPYRIGHT 20 BY TYCO ELECTRONICS CORPORATION. ALL RIGHTS RESERVED.

| LOC | DIST | REVISIONS |     |             |         |     |      |
|-----|------|-----------|-----|-------------|---------|-----|------|
| GP  | 00   | P         | LTR | DESCRIPTION | DATE    | DWN | APVD |
|     |      |           | A   | RELEASED    | 15APR08 | RG  | PD   |



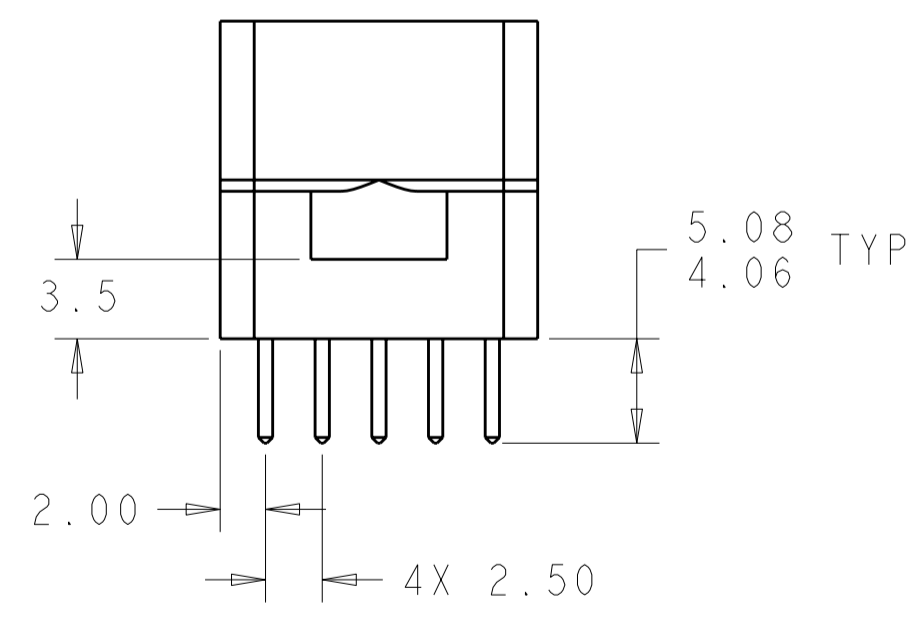
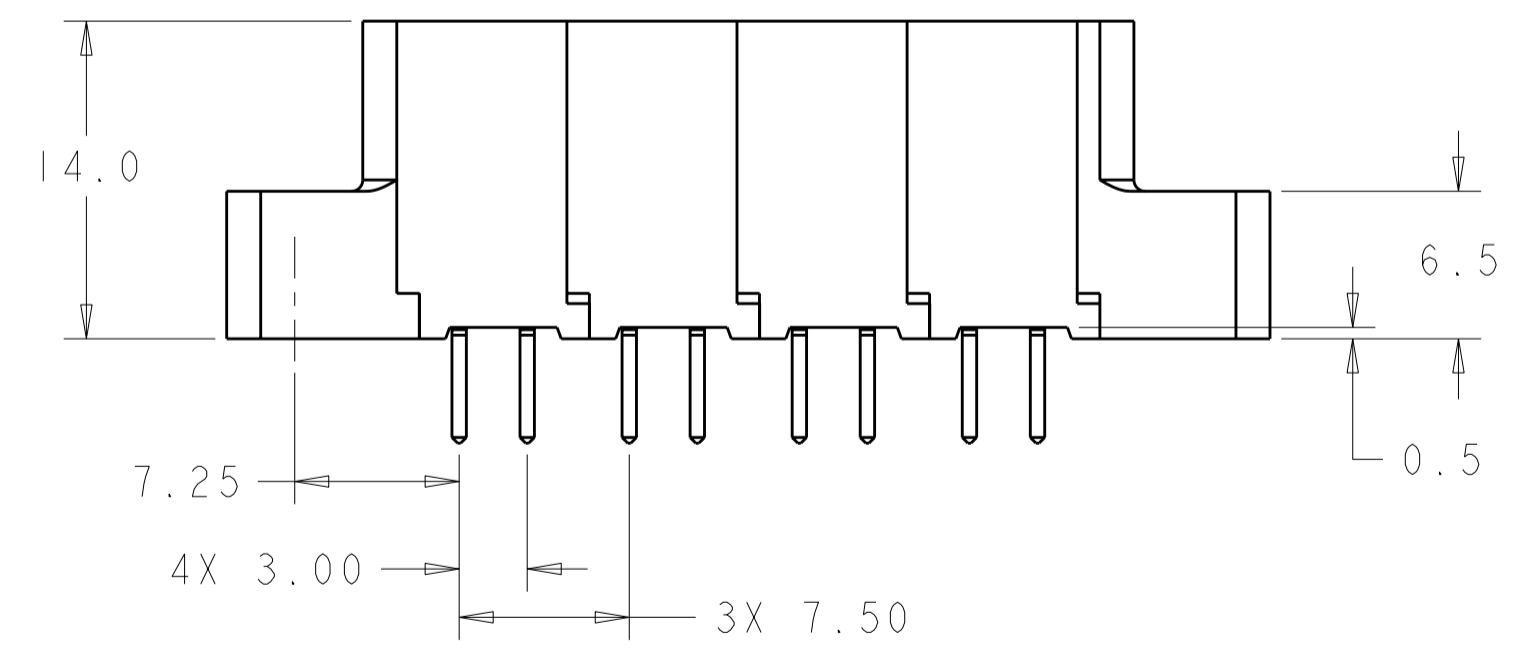
- PART NUMBER CHANGES AND OR DESIGN CHANGES AFFECTING ITEM INTERCHANGEABILITY REQUIRE PRIOR TYCO ELECTRONICS APPROVAL AND AUTHORIZATION BY REVISION TO THIS DRAWING.
- MATERIAL:  
 INSULATORS - THERMOPLASTIC, GLASS REINFORCED, COLOR - BLACK, UL94V-0 FLAMMABILITY RATED.  
 POWER CONTACTS - PHOSPHOR BRONZE ALLOY, COPPER ALLOY  
 CROWN BANDS - BERYLLIUM COPPER ALLOY
- FINISH:  
 CONTACTS - GOLD PLATE 0.76µm MIN. THK. OVER NICKEL 1.27µm MIN THK.  
 SOLDER TAILS TIN 3.05µm MIN THK. OVER NICKEL PLATE 1.27µm MIN THK.

△ ITEMS PROVIDED TO THIS SPECIFICATION TO BE PERMANENTLY IDENTIFIED PER THE FOLLOWING IDENTIFIER LABEL

YEAR    WEEK   

TYCO ELECTRONICS P/N      DATE CODE (e.g. 0106)  
 XXXXXXX-X                      XXXX

- MATES WITH TYCO ELECTRONICS P/N 6646683-1
- △ MOUNTING FLANGE ACCEPTS M3 OR #4-40 SCREWS (USER SUPPLIED)



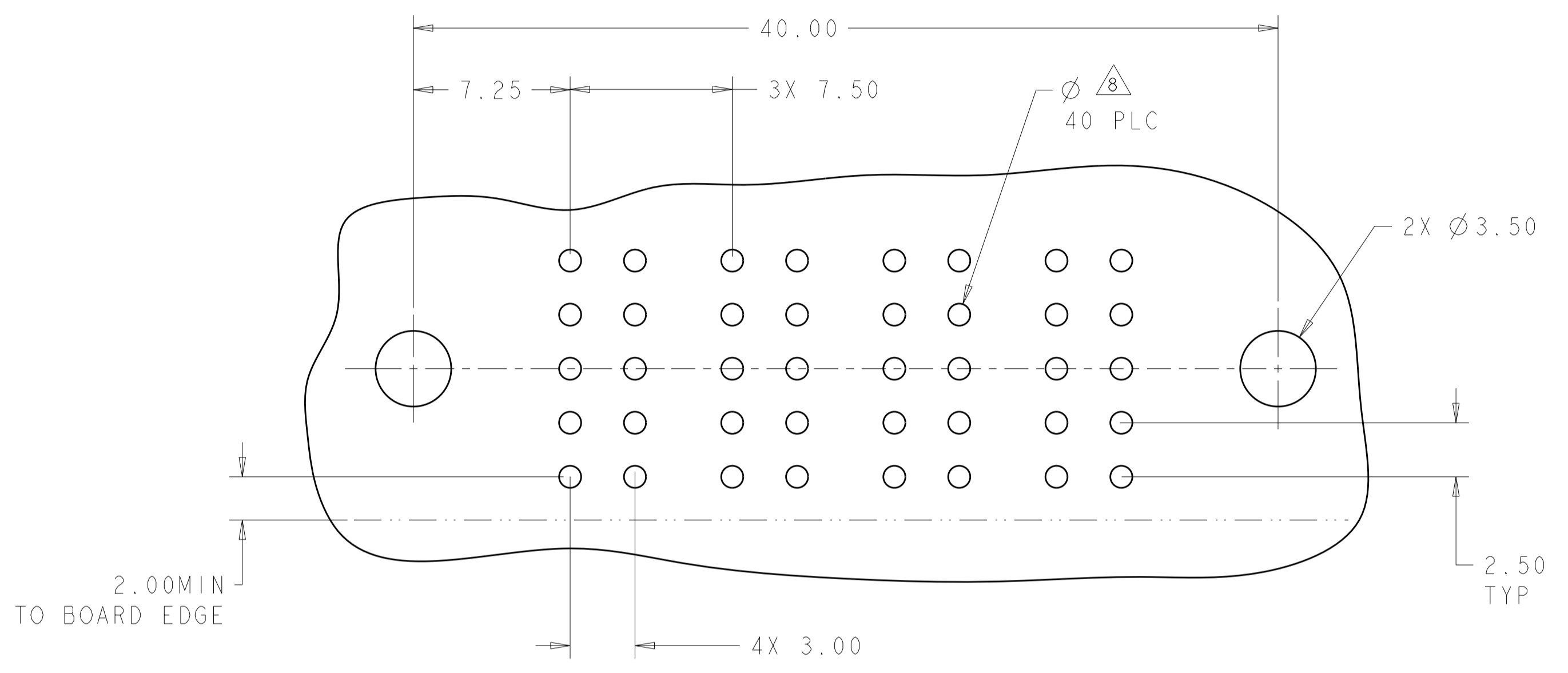
|             |             |
|-------------|-------------|
| AS SHOWN    | 6646275-1   |
| DESCRIPTION | PART NUMBER |

|   |  |                              |   |   |
|---|--|------------------------------|---|---|
| THIS DRAWING IS A CONTROLLED DOCUMENT FOR TYCO ELECTRONICS CORPORATION. IT IS SUBJECT TO CHANGE AND THE CONTROLLING ENGINEERING ORGANIZATION SHOULD BE CONTACTED FOR THE LATEST REVISION. |  | DWN R.GRZYBOWSKI 15APR08     | Tyco Electronics<br>Harrisburg, PA 17105-3608                       |   |
| DIMENSIONS: mm  |  | CHK S.FLICKINGER 15APR08     | NAME SOCKET CONNECTOR ASSEMBLY<br>SOLDER TAILS, STRAIGHT<br>FLATPAQ |   |
| TOLERANCES UNLESS OTHERWISE SPECIFIED:<br>0 PLC ±.5<br>1 PLC ±.5<br>2 PLC ±.25<br>3 PLC ±.<br>4 PLC ±.<br>ANGLES ±.5<br>FINISH  |  | APVD S.FLICKINGER 15APR08    | PRODUCT SPEC -  | RESTRICTED TO -                               |
| MATERIAL -  |  | APPLICATION SPEC -           | WEIGHT -  | SIZE A2 CAGE CODE 00779 DRAWING NO. C-6646275 |
| CUSTOMER DRAWING  |  | SCALE 4:1 SHEET 1 OF 3 REV A |   |   |

**ELCON** **FLATPAQ**

THIS DRAWING IS UNPUBLISHED. RELEASED FOR PUBLICATION 20  
 © COPYRIGHT 20 BY TYCO ELECTRONICS CORPORATION. ALL RIGHTS RESERVED.

| LOC | DIST | REVISIONS   |             |     |      |
|-----|------|-------------|-------------|-----|------|
| P   | LTR  | DESCRIPTION | DATE        | DWN | APVD |
| GP  | 00   | -           | SEE SHEET 1 | -   | -    |
|     |      |             |             |     |      |
|     |      |             |             |     |      |



PRINTED CIRCUIT LAYOUT  
 COMPONENT SIDE  
 SCALE 5:1

| CONNECTOR | CATALOG MODULE # | QTY | SIZE NO.              | CONTACT QTY | MATING PIN                   | MAX. CURRENT (PER CONTACT) | CONTACT SPACING | VOLTAGE RATING |
|-----------|------------------|-----|-----------------------|-------------|------------------------------|----------------------------|-----------------|----------------|
| SOCKET    | FP100            | 4   | 8                     | 4           | 1.25 X 7.00<br>[.049 X .276] | 35 amps                    | 7.50 [.2953]    | 250            |
|           | FP500            | 1   | LEFT MOUNTING FLANGE  |             |                              |                            |                 |                |
|           | FP501            | 1   | RIGHT MOUNTING FLANGE |             |                              |                            |                 |                |

THIS DRAWING IS A CONTROLLED DOCUMENT FOR TYCO ELECTRONICS CORPORATION. IT IS SUBJECT TO CHANGE AND THE CONTROLLING ENGINEERING ORGANIZATION SHOULD BE CONTACTED FOR THE LATEST REVISION.

|      |               |             |
|------|---------------|-------------|
| DWN  | R. GRZYBOWSKI | 15 APR 10 8 |
| CHK  | S. FLICKINGER | 15 APR 10 8 |
| APVD | S. FLICKINGER | 15 APR 10 8 |

Tyco Electronics  
 Harrisburg, PA 17105-3608

NAME: SOCKET CONNECTOR ASSEMBLY  
 SOLDER TAILS, STRAIGHT  
 FLATPAQ

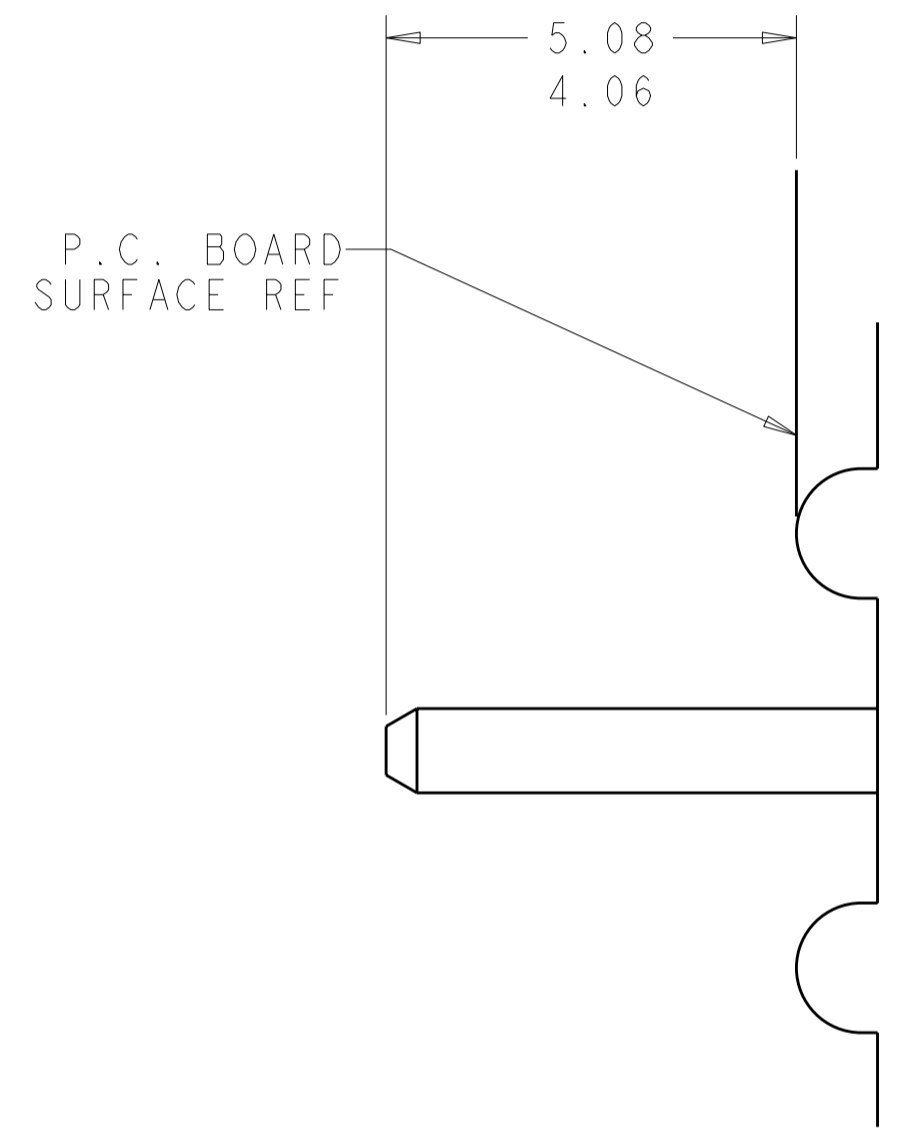
|      |           |             |               |
|------|-----------|-------------|---------------|
| SIZE | CAGE CODE | DRAWING NO. | RESTRICTED TO |
| A2   | 00779     | 6646275     | -             |

CUSTOMER DRAWING SCALE 4:1 SHEET 2 OF 3 REV A

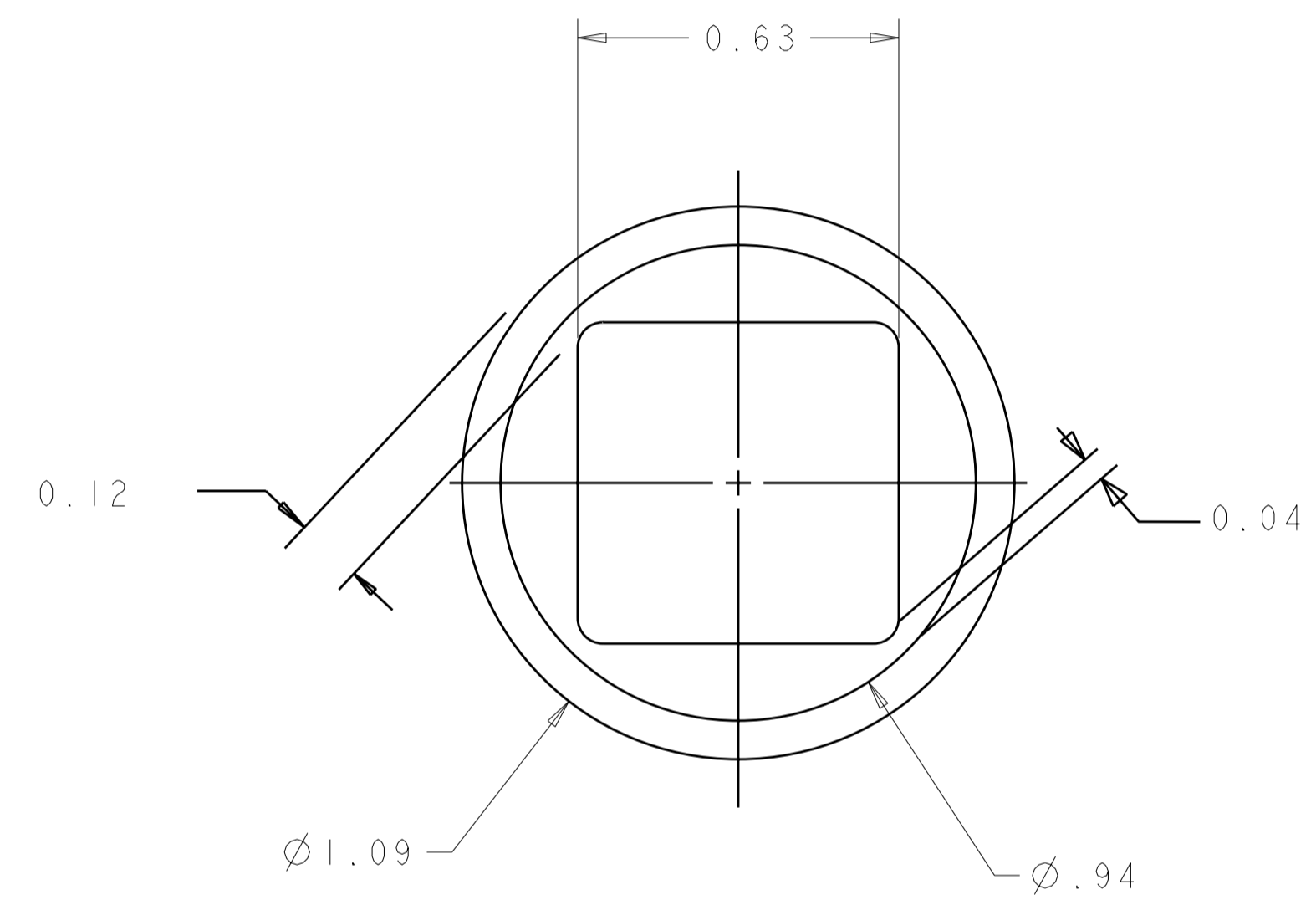
**ELCON** **FLATPAQ**

THIS DRAWING IS UNPUBLISHED. RELEASED FOR PUBLICATION 20  
 © COPYRIGHT 20 BY TYCO ELECTRONICS CORPORATION. ALL RIGHTS RESERVED.

| LOC | DIST | REVISIONS   |             |     |      |
|-----|------|-------------|-------------|-----|------|
| P   | LTR  | DESCRIPTION | DATE        | DWN | APVD |
| GP  | 00   | -           | SEE SHEET 1 | -   | -    |
|     |      |             |             |     |      |
|     |      |             |             |     |      |



7. SOLDER TAIL DETAIL  
SCALE 10 : 1



8 SOLDER TERMINATION AREA  
 SCALE 40:1  
 RECOMMENDED PRINTED CIRCUIT HOLE  
 SOLDER HOLE  
 FINISHED HOLE: Ø1.02 [.040] ±.08 [.003]  
 DRILLED HOLE: Ø1.15 [.0453] ±.013 [.0005]  
 COPPER PLATE: .025 [.0010] MIN  
 TIN PLATE: .008 [.0003] MIN. (PER SURFACE)

**ELCON** **FLATPAQ**

|   |  |                                      |  |                         |
|---|--|--------------------------------------|--|-------------------------|
| THIS DRAWING IS A CONTROLLED DOCUMENT FOR TYCO ELECTRONICS CORPORATION. IT IS SUBJECT TO CHANGE AND THE CONTROLLING ENGINEERING ORGANIZATION SHOULD BE CONTACTED FOR THE LATEST REVISION. |  | DWN<br>R. GRZYBOWSKI<br>15 APR 10 8  | Tyco Electronics<br>Harrisburg, PA 17105-3608                          |                         |
| DIMENSIONS:<br>mm [INCHES]  |  | CHK<br>S. FLICKINGER<br>15 APR 10 8  | NAME<br>SOCKET CONNECTOR ASSEMBLY<br>SOLDER TAILS, STRAIGHT<br>FLATPAQ |                         |
| TOLERANCES UNLESS OTHERWISE SPECIFIED:<br>0 PLC ±.5<br>1 PLC ±.5<br>2 PLC ±.25<br>3 PLC ±.<br>4 PLC ±.<br>ANGLES ±.5<br>FINISH  |  | APVD<br>S. FLICKINGER<br>15 APR 10 8 | SIZE<br>A200779  | DRAWING NO<br>C-6646275 |
| MATERIAL  |  | PRODUCT SPEC                         | RESTRICTED TO  |                         |
|   |  | APPLICATION SPEC                     | SCALE 4:1  | SHEET 3 OF 3            |
|   |  | WEIGHT                               | REV A  |                         |
|   |  | CUSTOMER DRAWING                     |  |                         |

单击下面可查看定价，库存，交付和生命周期等信息

[>>TE Connectivity\(泰科\)](#)