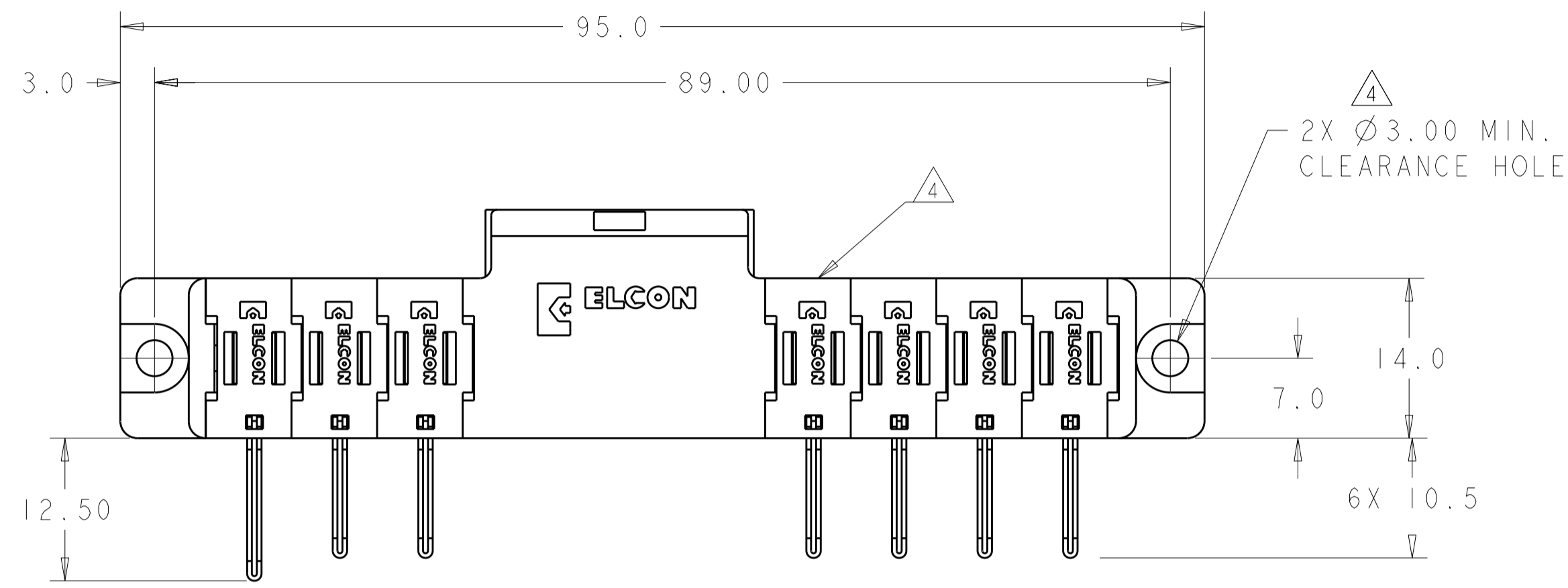


THIS DRAWING IS UNPUBLISHED. RELEASED FOR PUBLICATION 20
 © COPYRIGHT 20 BY TYCO ELECTRONICS CORPORATION. ALL RIGHTS RESERVED.

LOC		DIST		REVISIONS			
P	LTR	DESCRIPTION	DATE	DWN	APVD		
GP	00	A	RELEASED	23NOV2009	RG	MS	



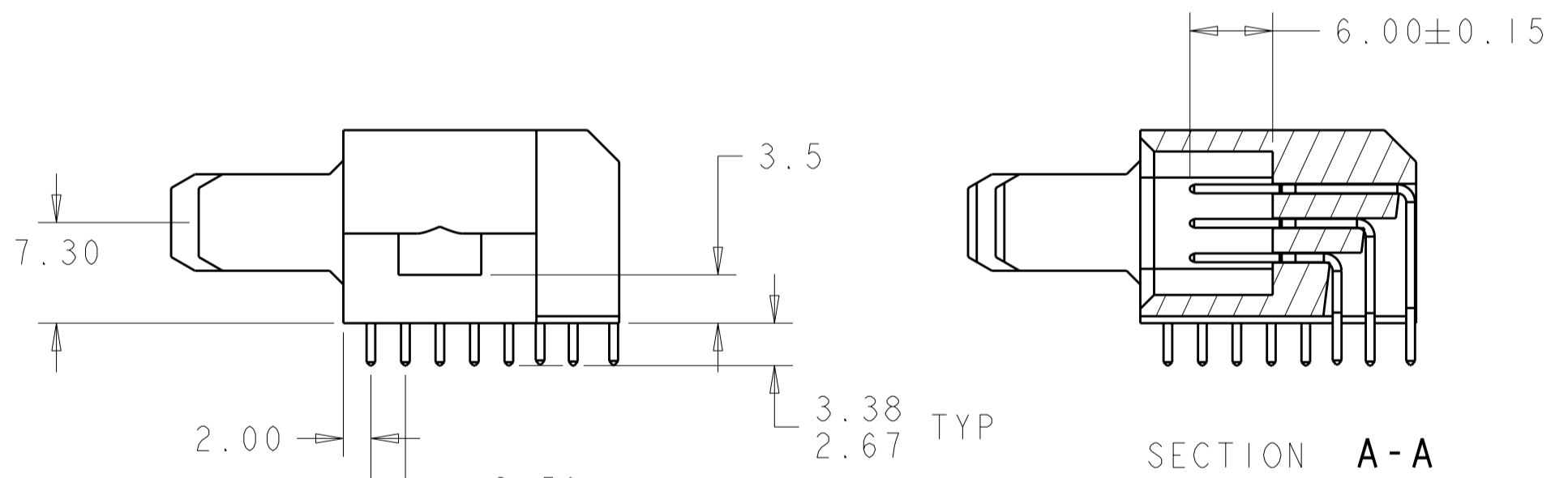
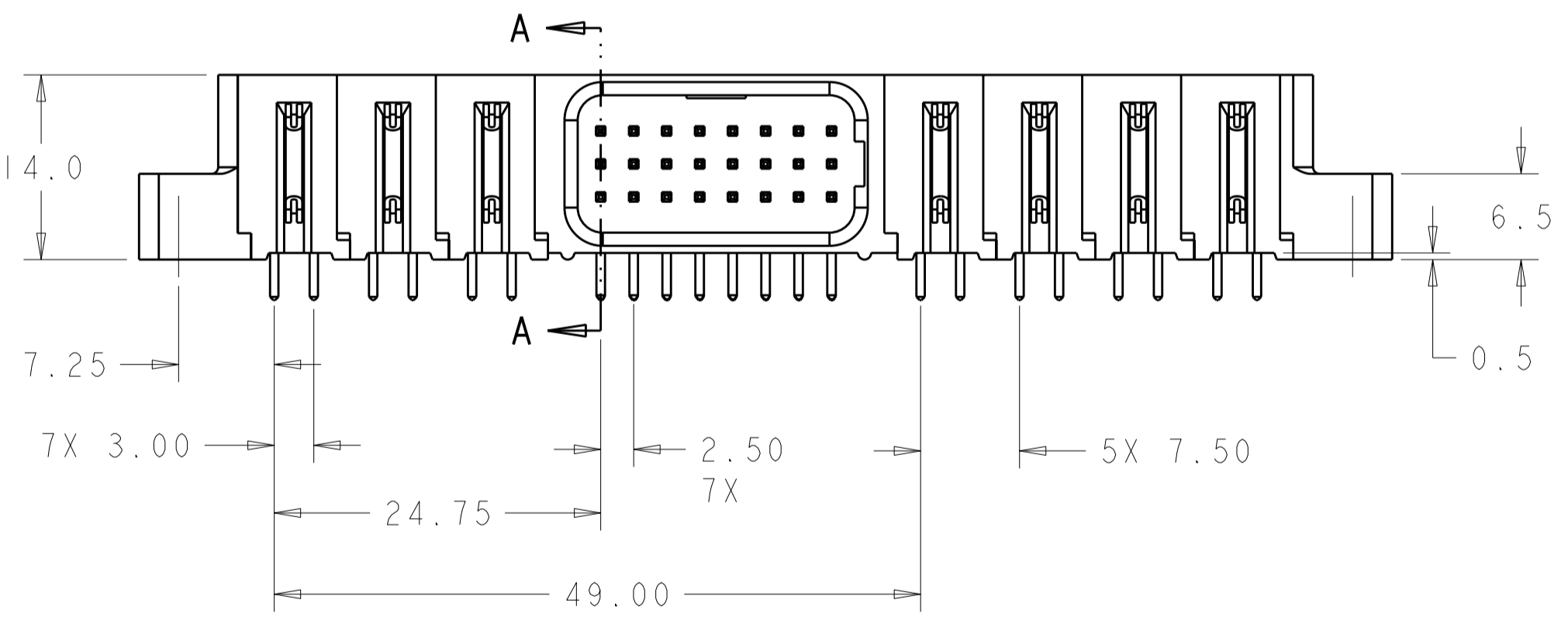
△ MATERIAL:
 INSULATORS - THERMOPLASTIC, GLASS REINFORCED,
 COLOR: BLACK
 UL94V-0 FLAMMABILITY RATED.
 POWER CONTACTS - PHOSPHOR BRONZE ALLOY,
 COPPER ALLOY
 SIGNAL CONTACTS - BRASS ALLOY

△ FINISH:
 CONTACTS - GOLD PLATE 0.76µm MIN. THK. OVER
 NICKEL 1.27µm MIN. THK. SOLDER TAILS,
 SOLDER TAILS - TIN 3.05µm MIN. THK. OVER
 1.27µm MIN. THK. NICKEL.

△ ITEMS PROVIDED TO THIS SPECIFICATION TO BE PERMANENTLY IDENTIFIED PER THE FOLLOWING IDENTIFIER LABEL

TYCO ELECTRONICS P/N: XXXXXXXX-X
 DATE CODE (e.g. 0106): YEAR WEEK
 XXXX

△ MOUNTING FLANGES ACCEPT M3 OR NO.4 SCREWS, (USER SUPPLIED)

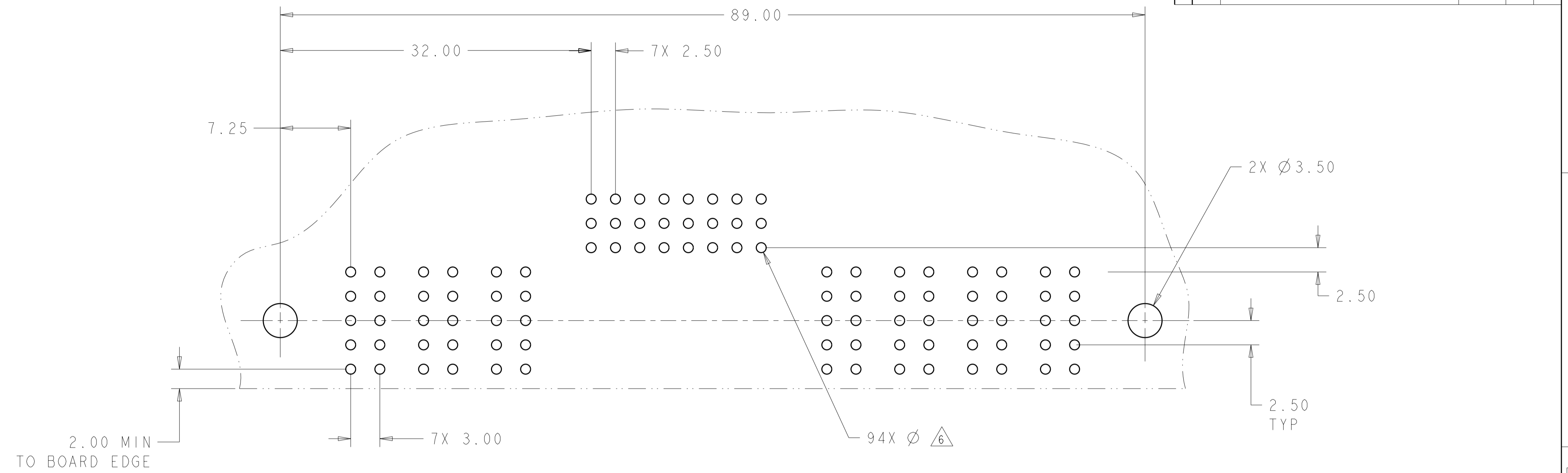


AS SHOWN	6646834-1
DESCRIPTION	PART NUMBER

THIS DRAWING IS A CONTROLLED DOCUMENT FOR TYCO ELECTRONICS CORPORATION. IT IS SUBJECT TO CHANGE AND THE CONTROLLING ENGINEERING ORGANIZATION SHOULD BE CONTACTED FOR THE LATEST REVISION.		DWN R. GRZYBOWSKI 21OCT09	tyco Tyco Electronics Harrisburg, PA 17105-3608
DIMENSIONS: mm [INCHES]		CHK M. PERCHERKE 21OCT09	
TOLERANCES UNLESS OTHERWISE SPECIFIED:		APVD M. PERCHERKE 21OCT09	
0 PLC ± 1 PLC ±0.50 2 PLC ±.25 3 PLC ± 4 PLC ± ANGLES ±.5 FINISH		PRODUCT SPEC -	
MATERIAL	△ 1 -	△ 2 -	NAME CONNECTOR, PIN, RIGHT ANGLE STANDARD, SOLDER TAILS FLATPAQ
CUSTOMER DRAWING		WEIGHT -	SIZE A2
		APPLIC. SPEC -	CAGE CODE 00779
		SCALE 3:1	DRAWING NO. 6646834
		SHEET 1 OF 3	RESTRICTED TO -
		REV A	

THIS DRAWING IS UNPUBLISHED. RELEASED FOR PUBLICATION 20
 © COPYRIGHT 20 BY TYCO ELECTRONICS CORPORATION. ALL RIGHTS RESERVED.

LOC	DIST	REVISIONS			
P	LTR	DESCRIPTION	DATE	DWN	APVD
GP	00	-	SEE SHEET 1	-	-



PRINTED CIRCUIT LAYOUT
 COMPONENT SIDE

CONNECTOR	CATALOG MODULE #	QTY	SIZE NO.	CONTACT QTY	MATING PIN	MAX. CURRENT (PER CONTACT)	CONTACT SPACING	VOLTAGE RATING
PIN	FP106	1	8	1	1.25 X 7.00	35 amps	7.50	250
	FP105	6	8	6	1.25 X 7.00	35 amps	7.50	250
	FP302	1	22	24	.64 SQ.	3 amps	2.50	125
	FP0500	1	LEFT MOUNTING FLANGE					
	FP0501	1	RIGHT MOUNTING FLANGE					

THIS DRAWING IS A CONTROLLED DOCUMENT FOR TYCO ELECTRONICS CORPORATION. IT IS SUBJECT TO CHANGE AND THE CONTROLLING ENGINEERING ORGANIZATION SHOULD BE CONTACTED FOR THE LATEST REVISION.

DWN: R. GRZYBOWSKI 21OCT09
 CHK: M. PERCHERKE 21OCT09
 APVD: M. PERCHERKE 21OCT09

tyco Tyco Electronics
 Harrisburg, PA 17105-3608

NAME: CONNECTOR, PIN, RIGHT ANGLE STANDARD, SOLDER TAILS FLATPAQ

SIZE: A2 CAGE CODE: 00779 DRAWING NO: 6646834 RESTRICTED TO: -

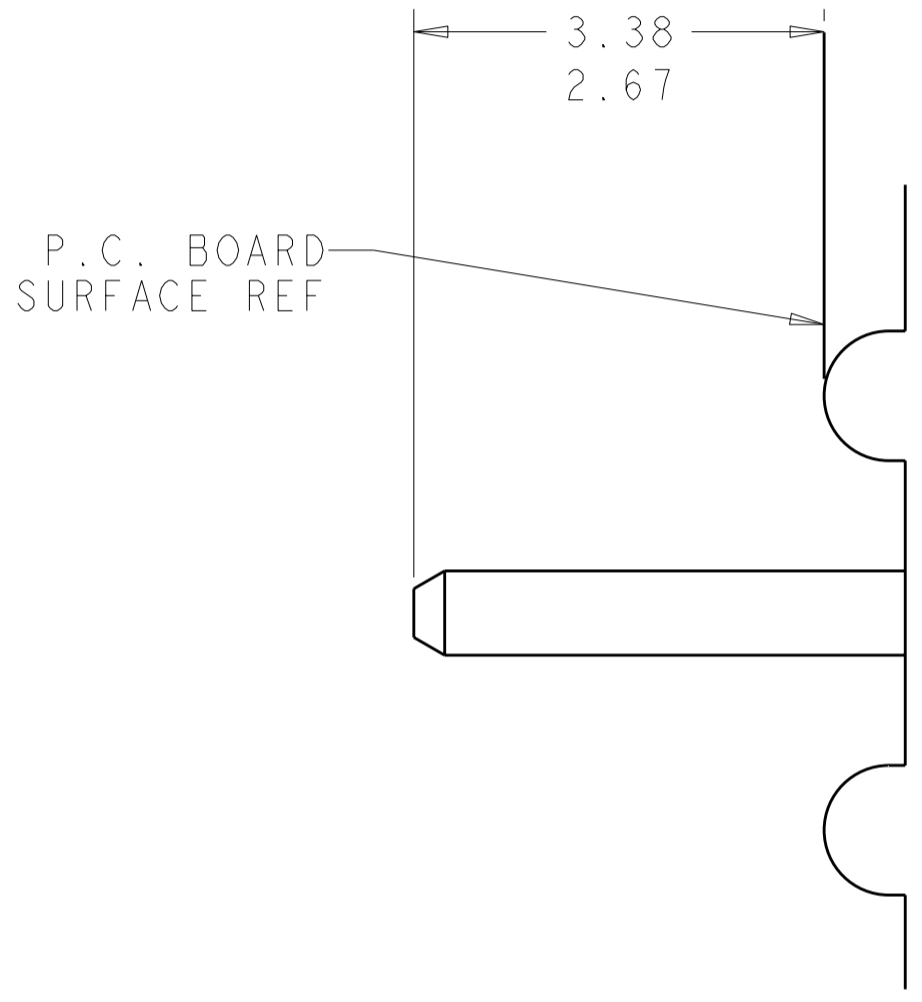
MATERIAL: - DIMENSIONS: mm [INCHES] TOLERANCES UNLESS OTHERWISE SPECIFIED: 0 PLC ±. 1 PLC ±0.50 2 PLC ±.25 3 PLC ±. 4 PLC ±. ANGLES ±.5 FINISH: -

PRODUCT SPEC: - APPLICATION SPEC: - WEIGHT: -

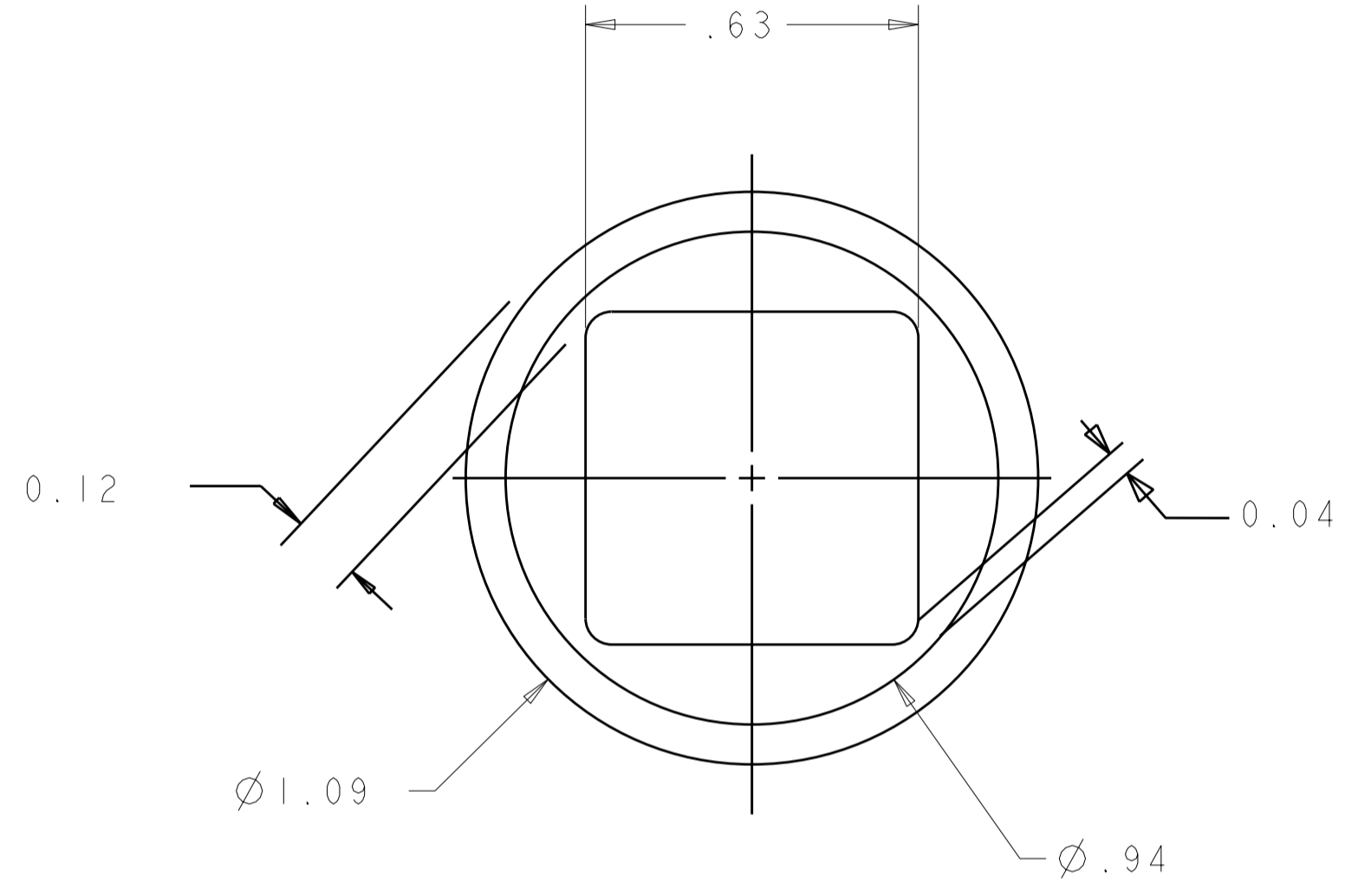
CUSTOMER DRAWING SCALE: 3:1 SHEET: 2 OF 3 REV: A

THIS DRAWING IS UNPUBLISHED. RELEASED FOR PUBLICATION 20
 © COPYRIGHT 20 BY TYCO ELECTRONICS CORPORATION. ALL RIGHTS RESERVED.

LOC	DIST	REVISIONS			
P	LTR	DESCRIPTION	DATE	DWN	APVD
GP	00	-	SEE SHEET 1	-	-



5. SOLDER TAIL DETAIL
SCALE 10 : 1



△ SOLDER TERMINATION AREA
 SCALE 40:1
 RECOMMENDED PRINTED CIRCUIT HOLE
 SOLDER HOLE
 FINISHED HOLE: Ø1.02 ±.008
 DRILLED HOLE: Ø1.15 ±.013
 COPPER PLATE: .025 MIN
 TIN PLATE: .008 MIN. (PER SURFACE)

THIS DRAWING IS A CONTROLLED DOCUMENT FOR TYCO ELECTRONICS CORPORATION IT IS SUBJECT TO CHANGE AND THE CONTROLLING ENGINEERING ORGANIZATION SHOULD BE CONTACTED FOR THE LATEST REVISION.		DWN R. GRZYBOWSKI 21OCT09	Tyco Electronics Harrisburg, PA 17105-3608	
DIMENSIONS: mm [INCHES]		CHK M. PERCHERKE 21OCT09	NAME CONNECTOR, PIN, RIGHT ANGLE STANDARD, SOLDER TAILS FLATPAQ	
TOLERANCES UNLESS OTHERWISE SPECIFIED:		APVD M. PERCHERKE 21OCT09	SIZE A200779	CAGE CODE C-6646834
0 PLC ±-	1 PLC ±0.50	PRODUCT SPEC -	DRAWING NO -	RESTRICTED TO -
2 PLC ±.25	3 PLC ±-	APPLICATION SPEC -	SCALE 3:1	SHEET 3 OF 3
4 PLC ±-	ANGLES ±.5	WEIGHT -	REV A	
MATERIAL -	FINISH -	CUSTOMER DRAWING		

单击下面可查看定价，库存，交付和生命周期等信息

[>>TE Connectivity\(泰科\)](#)