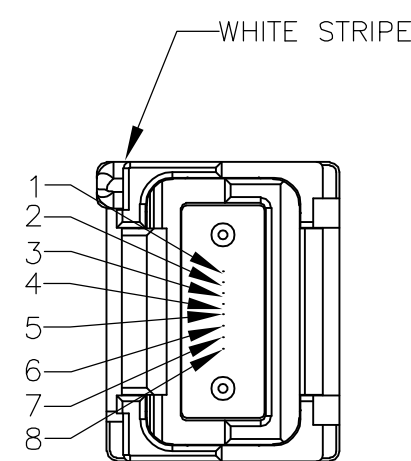
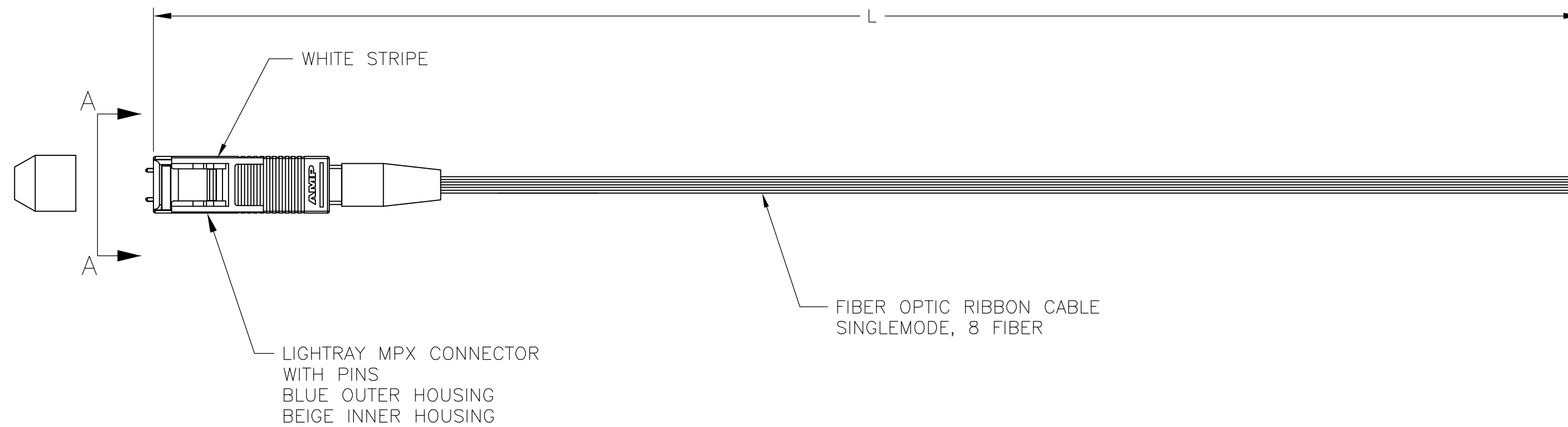


THIS DRAWING IS UNPUBLISHED. RELEASED FOR PUBLICATION
 © COPYRIGHT BY TYCO ELECTRONICS CORPORATION. ALL RIGHTS RESERVED.

LOC	DIST	REVISIONS			
P	LTR	DESCRIPTION	DATE	OWN	APVD
CE	16	A	RELEASED	11JAN06	JWD JB

1. MAXIMUM INSERTION LOSS: 0.5dB RANDOM MATE (1310nm)
2. TRACE LABEL TO BE PLACED ON BAG.
3. PRODUCT AND PROCESSING MUST MEET REQUIREMENTS OF TYCO ELECTRONICS STANDARD 230-702



FIBER #	COLOR
1	BLUE
2	ORANGE
3	GREEN
4	BROWN
5	SLATE
6	WHITE
7	RED
8	BLACK

10.000±0.100 [393.7±4.0]	6374448-6
5.000±0.076 [196.8±3.0]	6374448-5
4.000±0.076 [157.5±3.0]	6374448-4
3.000±0.076 [118.1±3.0]	6374448-3
2.000±0.076 [78.7±3.0]	6374448-2
1.000±0.076 [39.4±3.0]	6374448-1
L METERS [INCHES]	PART NUMBER

VIEW A-A
 LIGHTRAY MPX CONNECTOR FIBER PATH

THIS DRAWING IS A CONTROLLED DOCUMENT.		DWN J.W.DAVIS 11JAN06	Tyco Electronics Corporation Harrisburg, PA 17105-3608	
DIMENSIONS: METERS [INCHES]		CHK J.BARRY 11JAN06	NAME F.McCORKEL 11JAN06	
TOLERANCES UNLESS OTHERWISE SPECIFIED: 0 PLC ± - 1 PLC ± - 2 PLC ± - 3 PLC ± - 4 PLC ± - ANGLES ± -		PRODUCT SPEC APPLICATION SPEC - - -		
MATERIAL	FINISH	WEIGHT	SIZE A2	CAGE CODE 00779
-	-	-	DRAWING NO 6374448	RESTRICTED TO -
CUSTOMER DRAWING			SCALE NTS	SHEET 1 of 1
			REV A	

单击下面可查看定价，库存，交付和生命周期等信息

[>>TE Connectivity\(泰科\)](#)