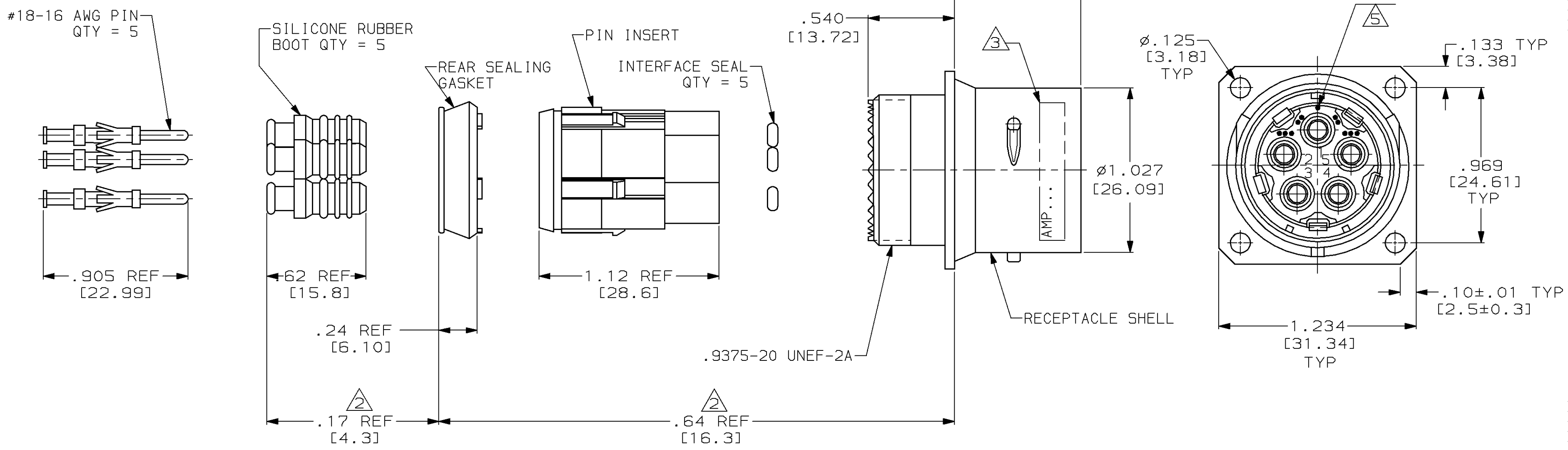


PROD CODE	LOC	DIST	P	F	ZONE	LTR	REVISIONS	DATE	APPD
4081	DF	SO				J	REV PER 0600-7385-98 JY	9-98	DE



- THIS RECEPTACLE REQUIRES A SIZE 16 MIL-C-38999F BACKSHELL OR EQUIVALENT STRAIN RELIEF.
- THE INDICATED DIMENSIONS APPLY AFTER ASSEMBLY. COMPLETE OVERALL DIMENSIONS AFTER ASSEMBLY DEPEND UPON THE SPECIFIC BACKSHELL OR STRAIN RELIEF USED.
- MARKED PER MIL-STD-130 USING BLACK INK. .09 [2.3] HIGH CHARS FOR -1 ONLY. .060 [1.52] HIGH CHARS FOR ALL OTHER DASH NUMBERS. SEE TABLE FOR SPECIAL MARKING.
- TO ASSEMBLE SEE INSTRUCTION SHEET #864886-3.
- SINGLE DOT POLARIZATION SHOWN FOR REFERENCE ONLY.

MARKING	CUSTOMER INFO	PART NO.
(00779/AMP,863755-4) DATE CODE	49956-848285-3B REV M	863755-4
(00779/AMP,863755-3) DATE CODE	49956-848285-3A REV M	863755-3
(00779/AMP,863755-2) DATE CODE	49956-848285-3 REV M	863755-2
(00779/AMP,863755-1) DATE CODE	-	863755-1

DO NOT SCALE PRINT. UNLESS SPECIFIED DIMENSIONS IN INCHES [mm] TOLERANCES ON : 2 PLC DEC ± .02 [0.5] 3 PLC DEC ± .010 [0.25] ANGLES ± -	DR 11-19-96 C.C.THOMAS	AMP Incorporated Harrisburg, PA 17105-3608
MATERIAL -	CHK 11-26-96 C.SHELLY	
FINISH -	APPD 11-26-96 C.SHELLY	RCPT KIT, 5 POSN., LGH
	RLSE 11-26-96 C.C.THOMAS	SIZE CAGE CODE DRAWING NO C 00779 C=863755
	PRODUCT SPEC -	SCALE 2:1 SHEET 1 OF 1
	APPLICATION SPEC -	
	WEIGHT -	

THIS DRAWING IS A CONTROLLED DOCUMENT FOR AMP INCORPORATED. IT IS SUBJECT TO CHANGE AND THE CONTROLLING ENGINEERING ORGANIZATION SHOULD BE CONTACTED FOR THE LATEST REVISION.

单击下面可查看定价，库存，交付和生命周期等信息

[>>TE Connectivity\(泰科\)](#)