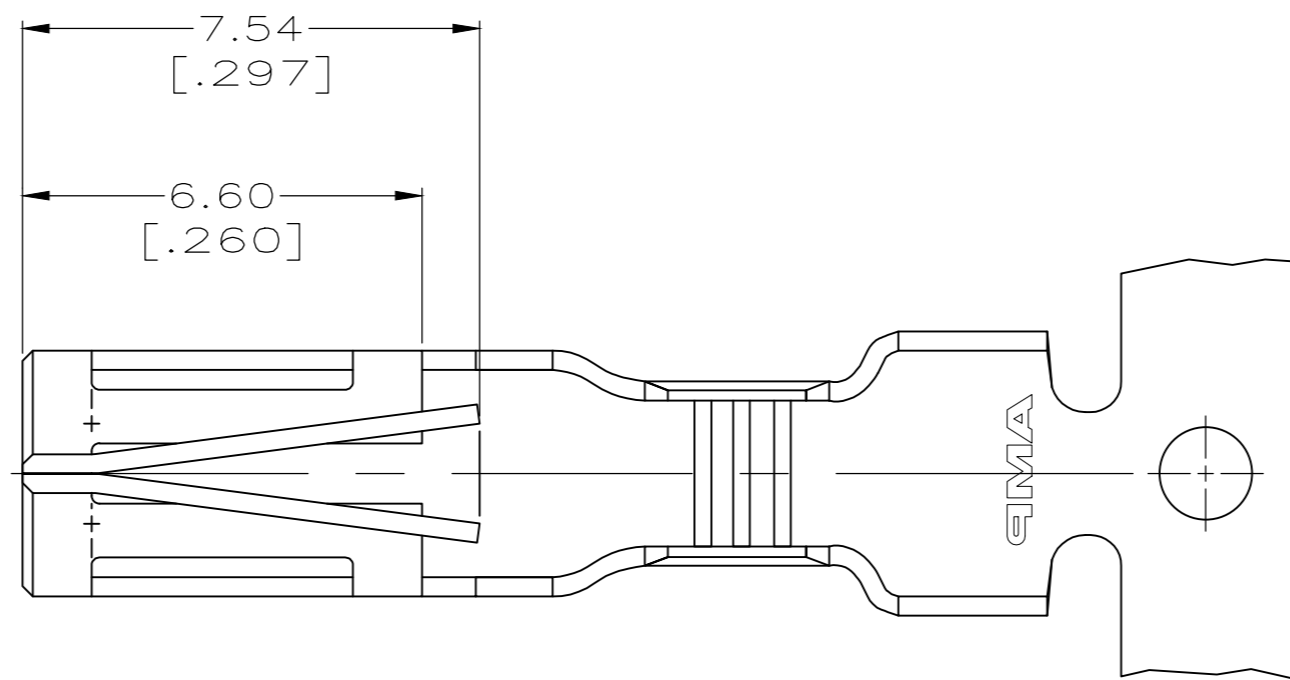
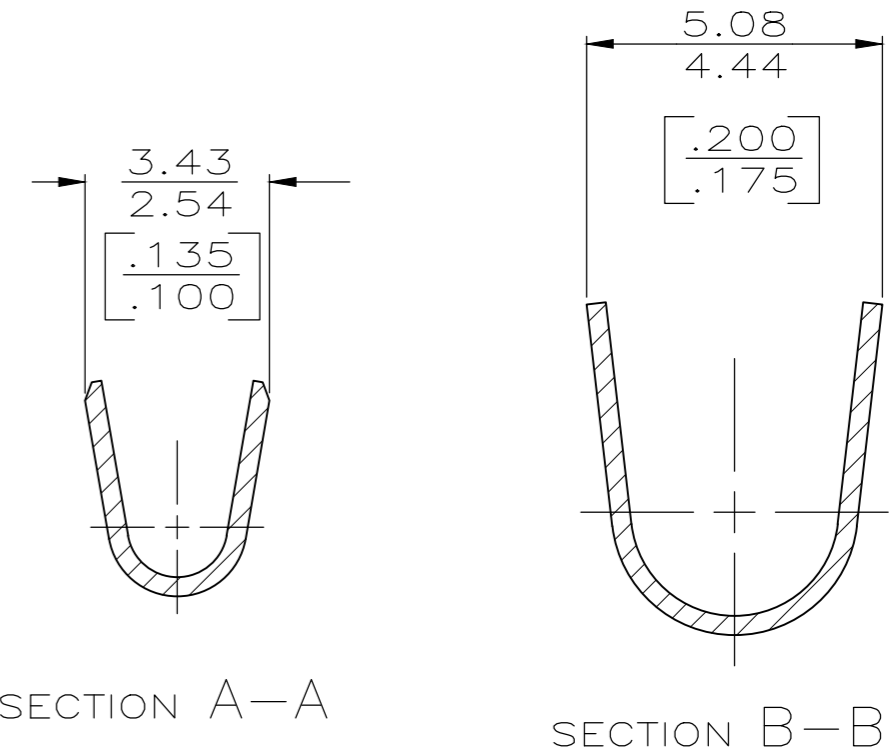
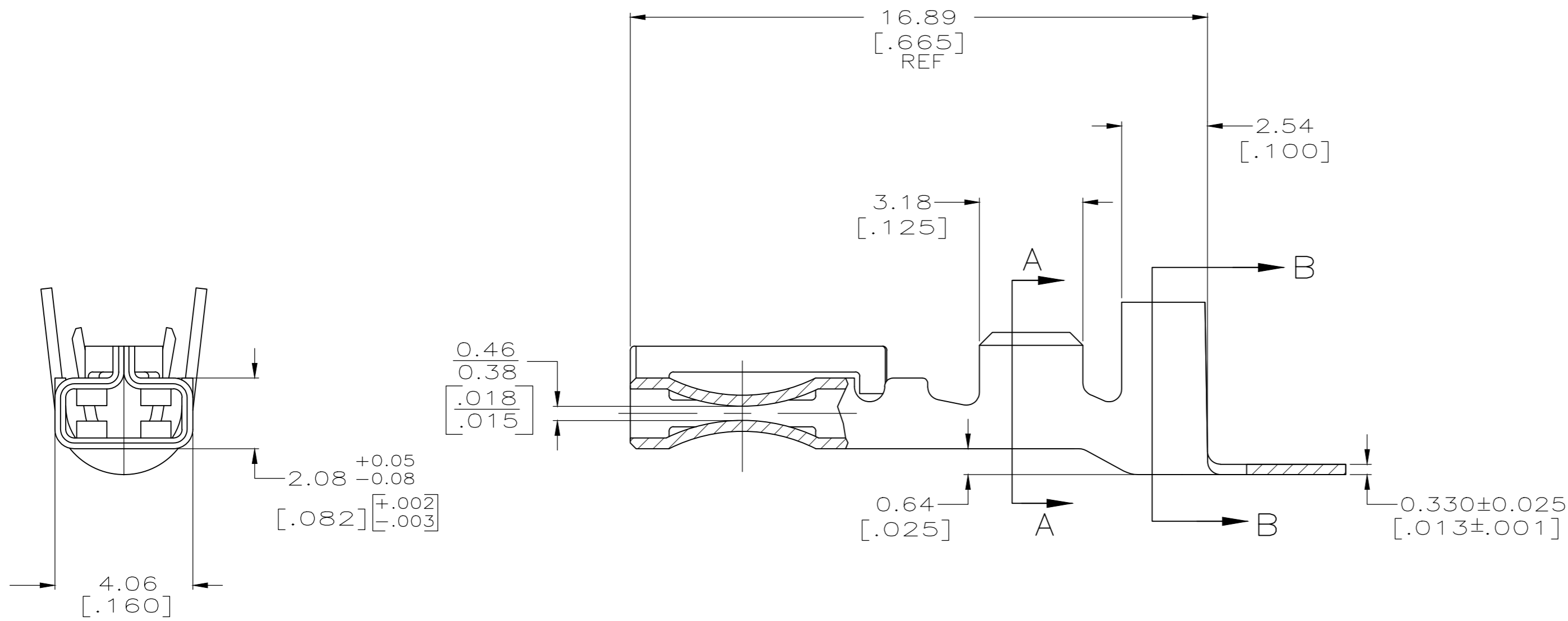


THIS DRAWING IS UNPUBLISHED. RELEASED FOR PUBLICATION
 © COPYRIGHT - By - ALL RIGHTS RESERVED.

REVISIONS					
P	LTR	DESCRIPTION	DATE	DWN	APVD
E6		REVISED PER ECR 18-011199	16JUL18	MD	TD



- CONTINUOUS STRIP ON REEL.
 - WIRE SIZE: 0.8–2.0mm²[#18–#14AWG]SINGLE WIRE. ALSO CONNECTS 2 WIRES (2X#20 AWG, 2x#18 AWG OR 1x#16 PLUS 1X#18 AWG).
 - INSULATION RANGE: 2.16–3.30 [.085–.130] FOR SINGLE WIRE. CONSULT APPLICATION SPECIFICATION FOR 2 WIRE COMBINATIONS.
- △4 PRELIMINARY – NOT FOR PRODUCTION.
 △5 LUBRICATION NEEDS TO BE APPLIED DURING TERMINATION.
 △6 TERMINAL IS SUPPLIED LUBRICATED TO AID TERMINATION.



OBSOLETE	FINISH	MATERIAL	PART NUMBER
△6	POST PLATED TIN	H06 BRASS	1217039-4
△5	PRE-PLATED TIN	H06 COPPER ALLOY	1217039-3
△5	POST PLATED NICKEL	H08 COPPER ALLOY	1217039-2
△5	POST PLATED TIN	H06 BRASS	1217039-1

THIS DRAWING IS A CONTROLLED DOCUMENT.		DWN PHILLIP M. FORTNEY 05/DEC/97	TE Connectivity Ltd.	
DIMENSIONS: mm [INCHES]		CHK JEFF R. RUTH 05/DEC/97	NAME	
TOLERANCES UNLESS OTHERWISE SPECIFIED:		APVD DON DECKER 05/DEC/97	PRODUCT SPEC	
0 PLC ± -		108-1271-1		
1 PLC ± -		APPLICATION SPEC		
2 PLC ± 0.25 [.010]		114-49003		
3 PLC ± -		SIZE CAGE CODE DRAWING NO		
4 PLC ± -		WEIGHT 0,000000 A2 00779 C=1217039		
ANGLES ± -		RESTRICTED TO		
MATERIAL SEE TABLE		FINISH SEE TABLE		
CUSTOMER DRAWING		SCALE 8:1 SHEET 1 OF 1 REV E6		

单击下面可查看定价，库存，交付和生命周期等信息

[>>TE Connectivity\(泰科\)](#)