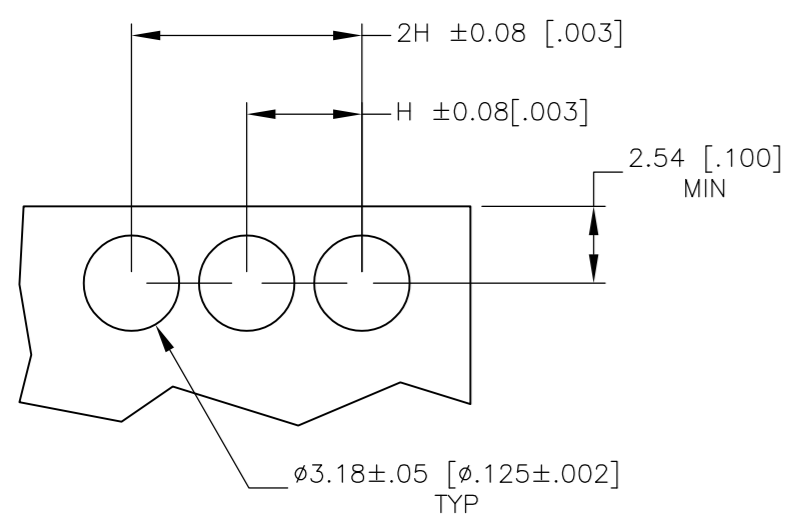
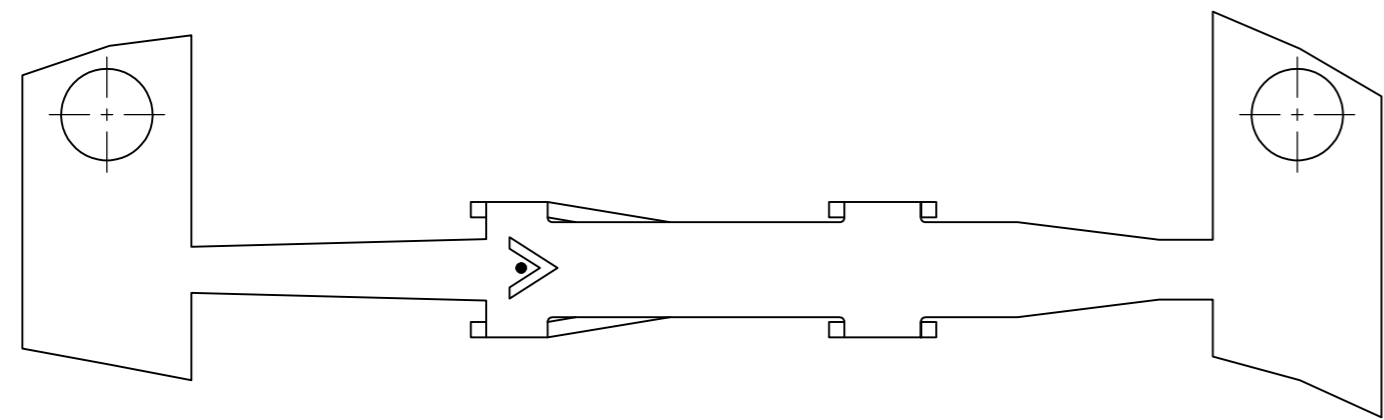
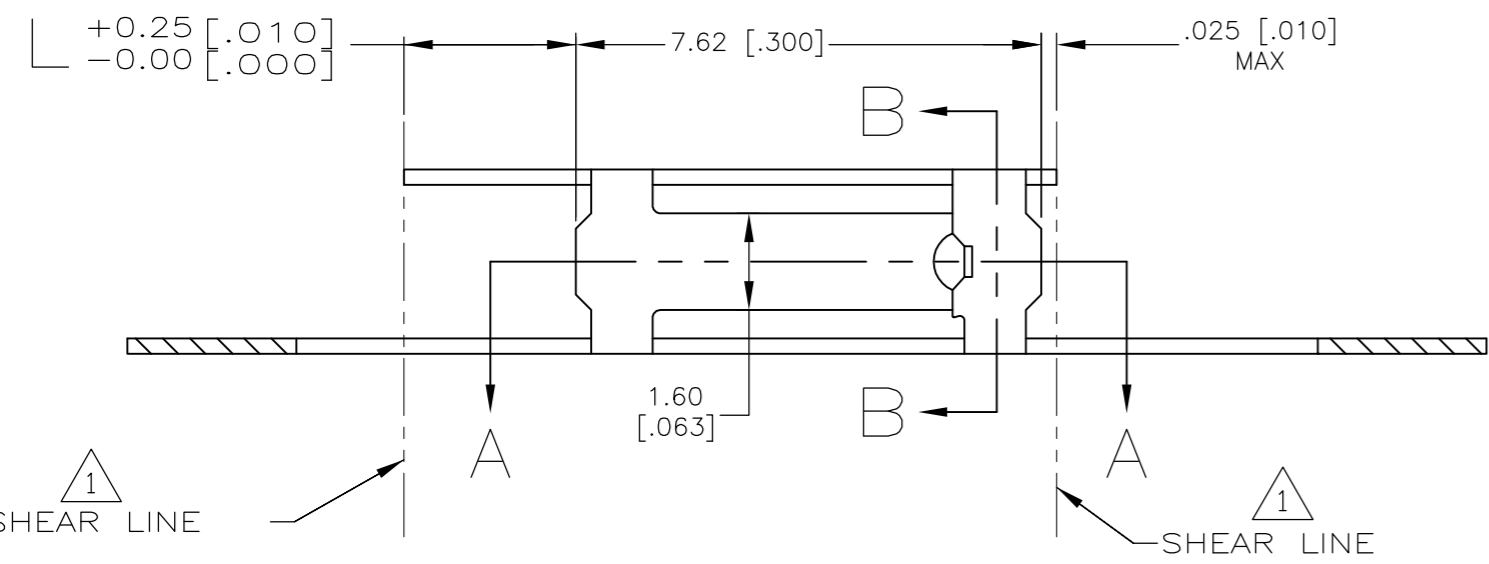
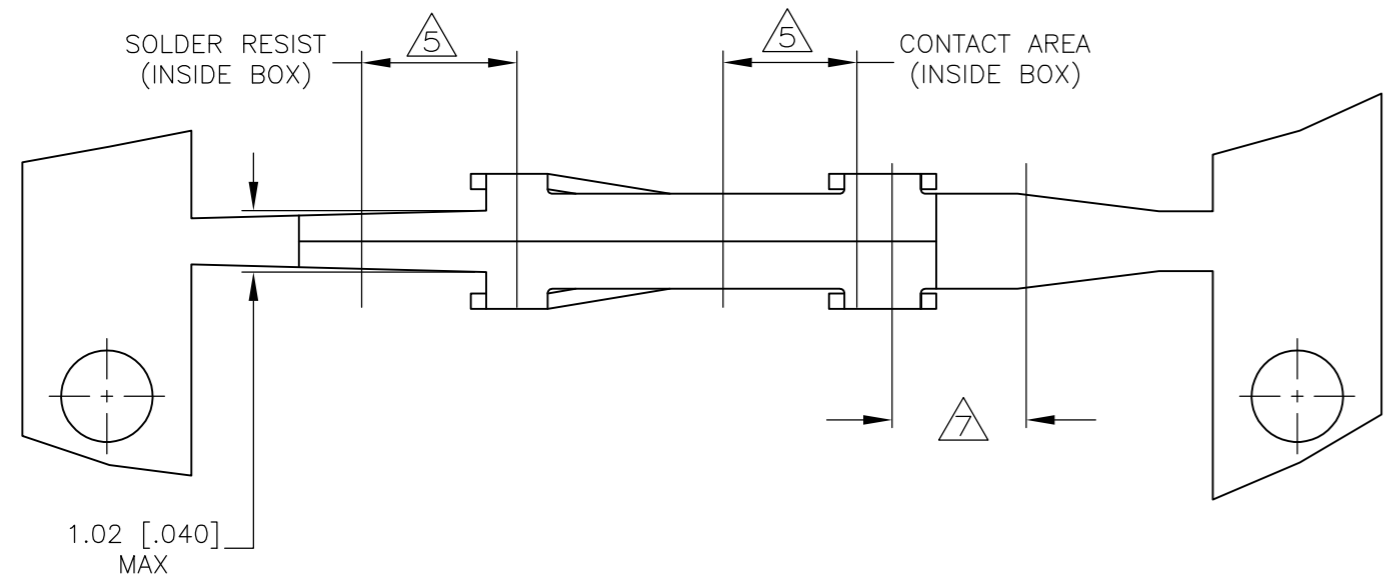
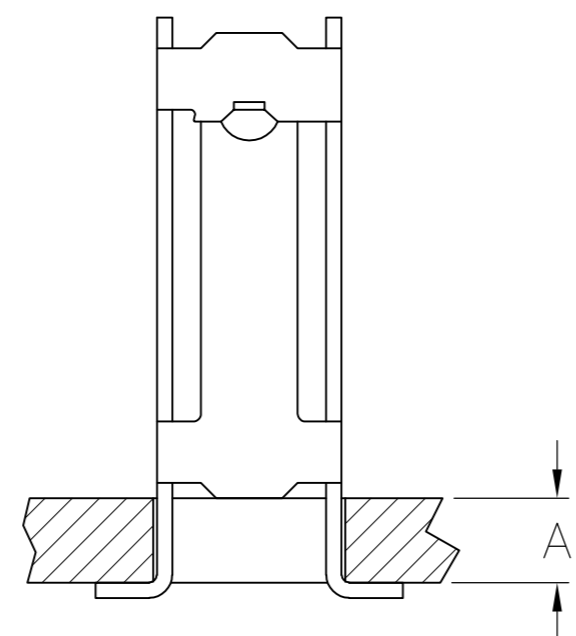


THIS DRAWING IS UNPUBLISHED. RELEASED FOR PUBLICATION
 © COPYRIGHT BY TYCO ELECTRONICS CORPORATION. ALL RIGHTS RESERVED.

LOC		DIST		REVISIONS			
P	LTR	DESCRIPTION	DATE	DWN	APVD		
	L	REV PER 0G3C-0057-01	-	MB	MZ		
	L1	REVISED PER ECO-09-021826	26AUG09	KK	AEG		

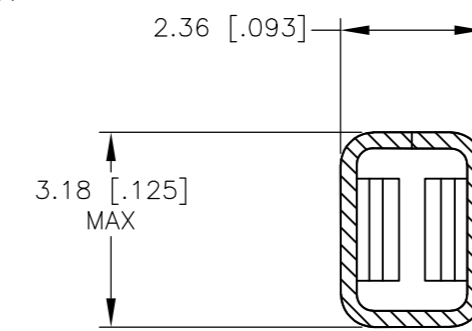


RECOMMENDED P.C. BOARD LAYOUT

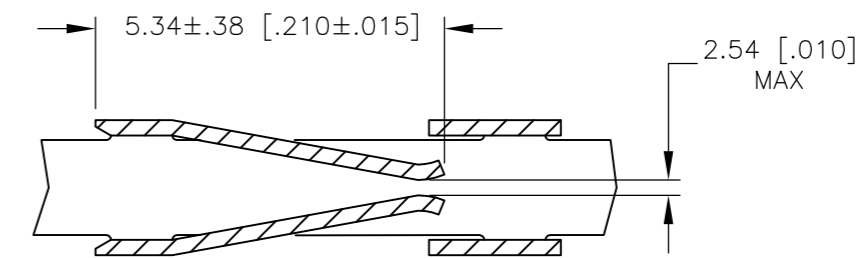


TYPICAL APPLICATION

- 1. SHEAR LINES DEFINE LOOSE PIECE PART.
- 2. FOR USE WITH AMPMODU MINIATURE APPLICATOR.
- 3. CONTACT MAT'L: COPPER-NICKEL-TIN ALLOY 725.
- 4. "H", (RECEPTACLE CENTERS) MAY VARY DEPENDING ON REQUIREMENTS, MINIMUM NOMINAL CENTER SPACING BETWEEN ADJACENT RECEPTACLES IS $3.8 \pm 0.08 [.150 \pm .003]$.
- 5. FINISH $0.00076 [.000030]$ MIN W.E. #1 ALLOY OVER $0.00127 [.000050]$ MIN NICKEL INLAID INTO CONTACT AREA, $0.01270 [.000500]$ MIN ALUMINUM INLAID INTO SELECT AREA OF SOLDER TINE, REMAINDER UNFINISHED.
- 6. A MILDLY ACTIVATED FLUX IS REQUIRED TO SOLDER.
- 7. IF ALTN STOCK IS USED SOLDER RESIST WILL APPEAR IN THIS AREA ALSO.
- 8. OBSOLETE.
- 9. OBSOLETE PARTS: OBSOLETE CIS STREAMLINING PER D.RENAUD/D.SINISI



SECTION B-B



SECTION A-A

9	OBSOLETE	COMP-U-SERTOR	1.40/1.78 [.055/.070]	3	5	2.84 [.112]	-	87772-3
		MINIATURE	1.40/1.78 [.055/.070]	3	5	2.84 [.112]	87776-2	87772-2
	OBSOLETE	MINIATURE	1.40/2.62 [.055/.103]	3	5	3.68 [.145]	87776-1	87772-1
		REELED FOR APPLICATOR	A	MATL	FINISH	TINE LGTH	LOOSE PIECE PART NO.	PART NUMBER

THIS DRAWING IS A CONTROLLED DOCUMENT.

DWN	E. BRANDBERG	7-14-94	Tyco Electronics Corporation Harrisburg, PA 17105
CHK	J. HERRINGTON	7-14-94	
APVD	-	-	NAME
PRODUCT SPEC	-	-	CONTACT, FEMALE, MOD I, TYPE A, STAN. PRESS. (FOR ROUND HOLE MOUNTING)
APPLICATION SPEC	-	-	-
WEIGHT	-	-	SIZE
CUSTOMER DRAWING	-	-	CAGE CODE
			DRAWING NO
			RESTRICTED TO
			A2 00779 C=87772
			SCALE
			8:1
			SHEET
			1 OF 1
			REV
			L1

单击下面可查看定价，库存，交付和生命周期等信息

[>>TE Connectivity\(泰科\)](#)